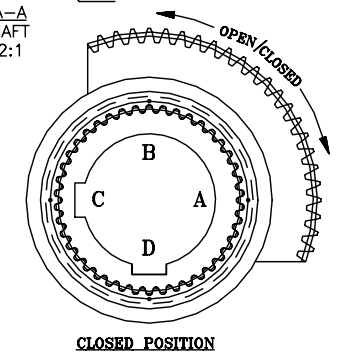
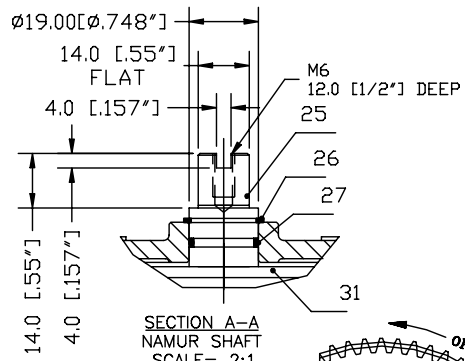
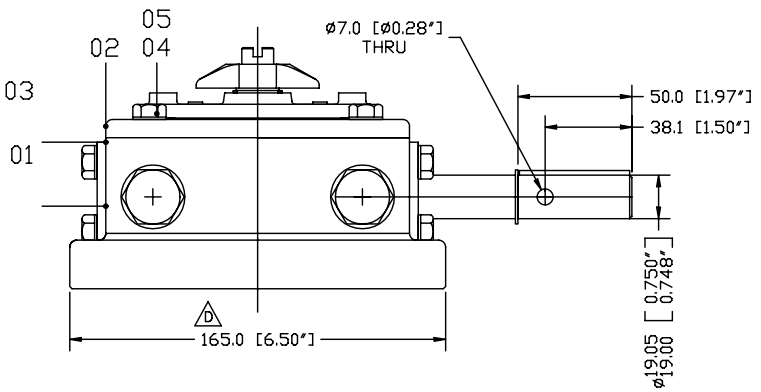
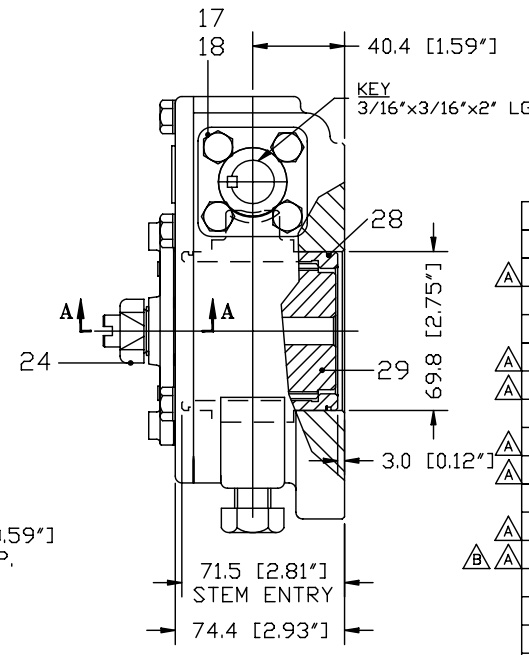
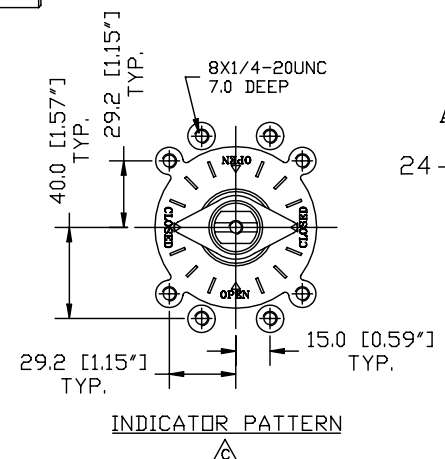
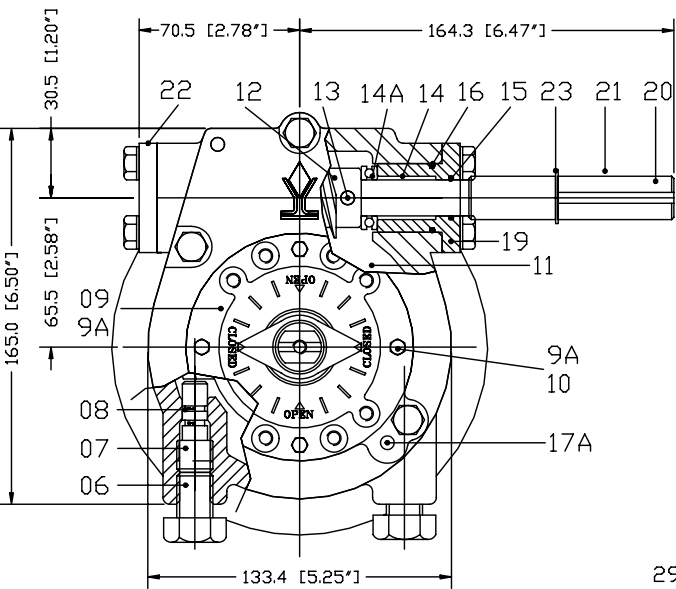


SUPERSEDING		SUPERSEDED BY					
Let.	ECN	REVISION		Drw.By	Ch.By	Appr.By	Date
A		WAS 0200030D DRAWING		JN	JN	DS	02-13-06
B		Changed Part no.; S0070004C was S0070025C		JN	JN	DS	02-13-06



32A	1	0220020A	STAINLESS ST.	NAMEPLATE
31	1	0090007B	STAINLESS ST.	GUIDE PLATE
29	1	S0030052A	316 SS	SPLINE SLEEVE
28	2		NITRILE	O-RING, 2-038, 75D
27	1		NITRILE	O-RING, 2-016, 75D
26	1		316 SS	SNAP RING TRUARC: 5100-75
25	1	S0050002B	316 SS	INDICATOR SHAFT
24	1	0150001A	PLASTIC	INDICATOR
23	1		316 SS	SNAP RING TRUARC: 5100-75
22	1	S0160001A02	316 SS	PLUG
21	1	0050004B	STEEL	KEY, 3x16"x3/16"x2" LG
20	1	S0050004B	316 SS	SHAFT
19	2	S0070004C	CF8M	END CAP
18	8		STEEL	ø8mm LOCK WASHER
17A	2		STEEL	DOWEL PIN, ø6.0x16mm LG
17	8		STEEL	HHCS, M8x25mm LG
16	2		NITRILE	O-RING, 2-133, 75D
15	2		NITRILE	O-RING, 2-116, 75D
14A	2		STEEL	BEARING, THRUST, INA, EW-5/8"
14	2	0060003A	BRONZE	BEARING
13	2		STEEL	DOWEL PIN, ø6.0mmx26.0mm LG
12	1	0030013B	4140 STEEL	WORM
11	1	S0030051C	BRONZE	WORM SEGMENT
10	4		B8	HHCS, M4x16mm LG
9A	1		NITRILE	O-RING, 2-039, 75D
09	1	S0020018C	CF8M	INDICATOR COVER
08	4		NITRILE	O-RING, 2-011, 75D
07	2	S0140003A	316 SS	STOP
06	2		B8	HHCS M16 X 20mm LG
05	5		B8	ø8mm WASHER, LOCK
04	5		B8	HHCS, M8x20mm LG
03	1	0040020C	RUBBER	GASKET
02	1	S0020017D	CF8M	TOP COVER
01	1	S0110036D	CF8M	MAIN HOUSING

△B1 △B2

MAX. OUTPUT TORQUE [IN.LB]	MAX. INPUT TORQUE [IN.LB]	RATIO	OUTPUT ANGULAR STROKE	TURN PER 90°	WEIGHT [LB]	MAX. ROUND BORE [IN]	MAX. SQUARE BORE [IN]	MAX. MOUNTING STRADDLE C/L [IN]	MIN. MOUNTING STRADDLE C/L [IN]	MAX. MOUNTING ON C/L [IN]	MIN. MOUNTING ON C/L [IN]
8,000	640	50:1	±5°	12.5	20	ø1.625" KEY:3/8"x1/4"	1.25"	ø5.13"	ø3.70"	ø5.13"	ø3.70"

ITEM	QTY	PART NUMBER	MATERIAL	DESCRIPTION
TITLE				
△ S8WG50 WORM GEAR				
DIAMOND GEAR CO. LTD. HOUSTON, TEXAS				REV B
S0200030D				DATE 06-14-00 06-14-00 06-14-00