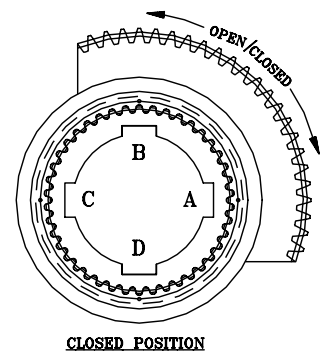
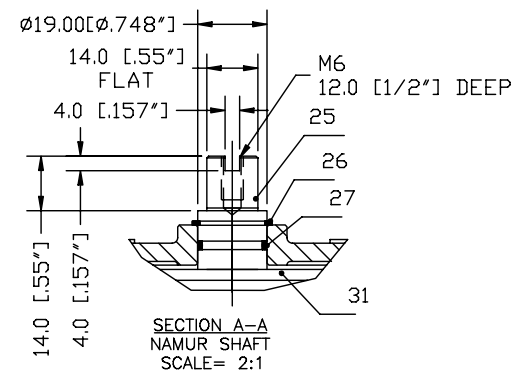
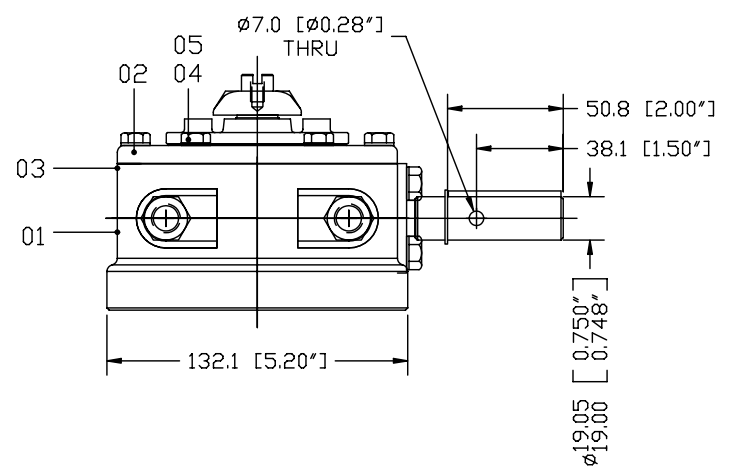
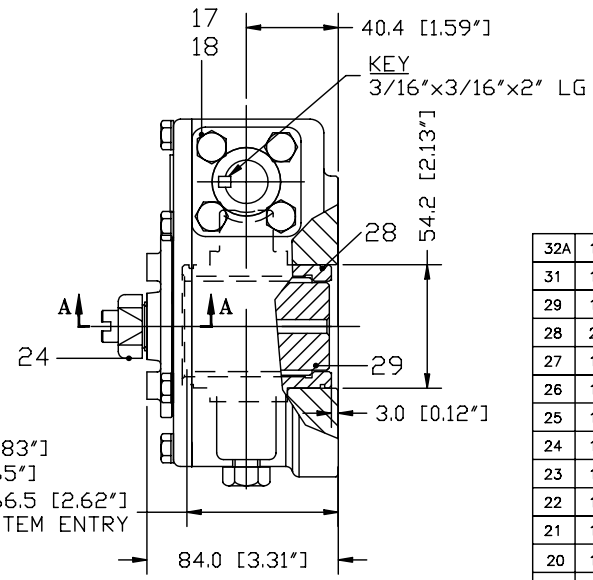
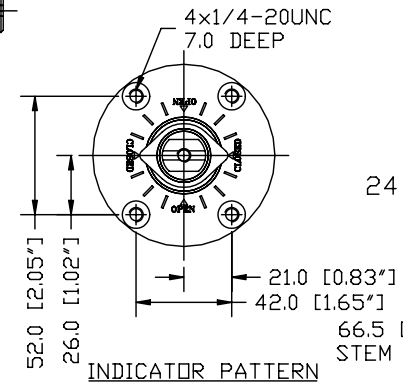
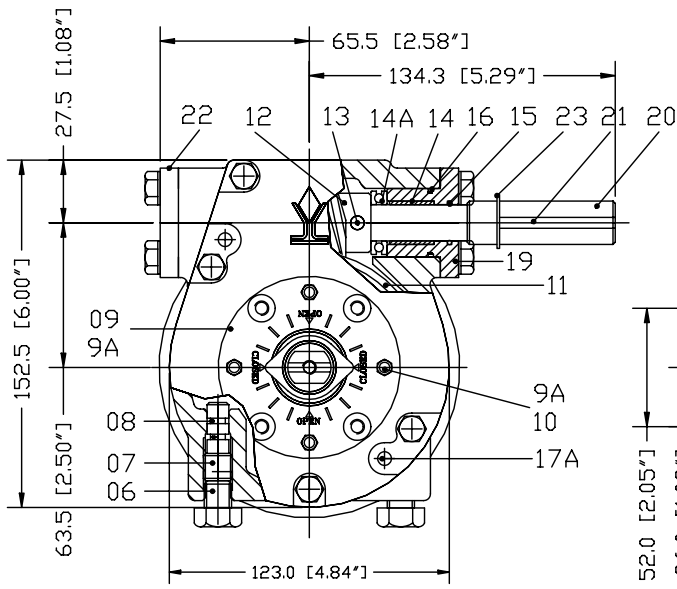


SUPERSEDING				SUPERSEDED BY			
LET	ZONE	ECN	REVISION	DR. BY	CH. BY	APR. BY	DATE
A	ZONE	ECN	WAS CHANGED FROM 0200057D	JN	DS	DS	02-15-04



32A	1	S0220030A	316 SS	NAMEPLATE
31	1	S0090015B	316 SS	GUIDE PLATE
29	1	S0031013A	316 SS	SPLINE SLEEVE
28	2		NITRILE	O-RING, 2-033, 75D
27	1		NITRILE	O-RING, 2-016, 75D
26	1		STAINLESS ST.	SNAP RING TRUARC: 5100-75
25	1	S0050002A	316 SS	INDICATOR SHAFT
24	1	O150005A	PLASTIC	INDICATOR
23	1		STAINLESS ST.	SNAP RING TRUARC: 5100-75
22	1	S0160001A02	316 SS	PLUG
21	1	S0050010B	316 SS	KEY, 3x16"x3/16"x2" LG
20	1	S0050010B	316 SS	SHAFT
19	2	S0070025C	CF8M	END CAP
18	8		STEEL	Ø8mm LOCK WASHER
17A	2		STEEL	DOWEL PIN, Ø6.0mmx16mm LG
17	8		STEEL	HHCS, M8X25mm LG
16	2		NITRILE	O-RING, 2-133, 75D
15	2		NITRILE	O-RING, 2-116, 75D
14A	2		STEEL	BEARING, THRUST, INA, EW-5/8"
14	2	O060020A	BRONZE	BEARING
13	2		STEEL	DOWEL PIN, Ø6.0mmx26mm LG
12	1	O030013B	4140 STEEL	WORM
11	1	S0031012C	BRONZE	WORM SEGMENT
10	4		STEEL	HHCS, M4x16mm LG
9A	1		NITRILE	O-RING, 2-034, 75D
09	1	S0020031C	CF8M	INDICATOR COVER
08	4		NITRILE	O-RING, 2-010, 75D
07	2	S0140020A	316 SS	STOP
06	2		STEEL	HHCS M12 X 12mm LG
05	5		STEEL	Ø1/4" WASHER, LOCK
04	5		STEEL	HHCS, M1/4-20UNCx 1" LG
03	1	O040050C	COMMERCIAL	GASKET
02	1	S0020030D	CF8M	TOP COVER
01	1	S0110070D	CF8M	MAIN HOUSING
ITEM	QTY	PART NUMBER	MATERIAL	DESCRIPTION

MAX. OUTPUT TORQUE [IN.LB]	MAX. INPUT TORQUE [IN.LB]	RATIO	OUTPUT ANGULAR STROKE	TURN PER 90°	WEIGHT [LB]	MAX. ROUND BORE [IN]	MAX. SQUARE BORE [IN]	MAX. MOUNTING STRADDLE C/L [IN]	MIN. MOUNTING STRADDLE C/L [IN]	MAX. MOUNTING ON C/L [IN]	MIN. MOUNTING ON C/L [IN]
5,000	760	48:1	±5°	12	15	Ø1.125" KEY:3/16"x1/8"	.937"	Ø4.25"	Ø2.75"	Ø4.25"	Ø2.75"

TITLE

**S5WG48
WORM GEAR**

**DIAMOND GEAR CO. LTD.
HOUSTON, TEXAS**

S0200057D

REV A

REV	DATE
JN	12-26-00
JN	12-26-00
DS	12-26-00