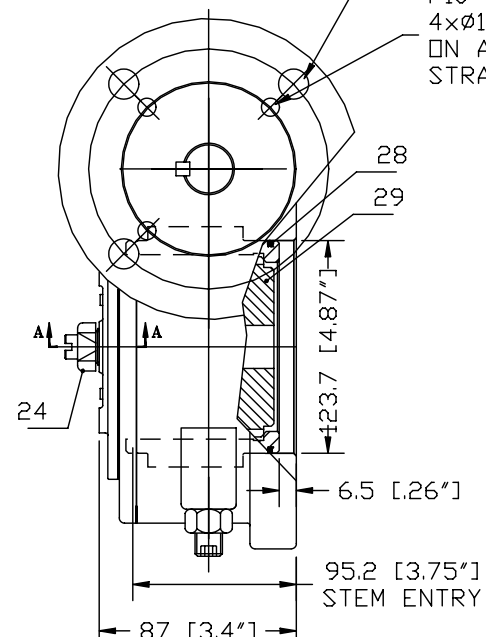
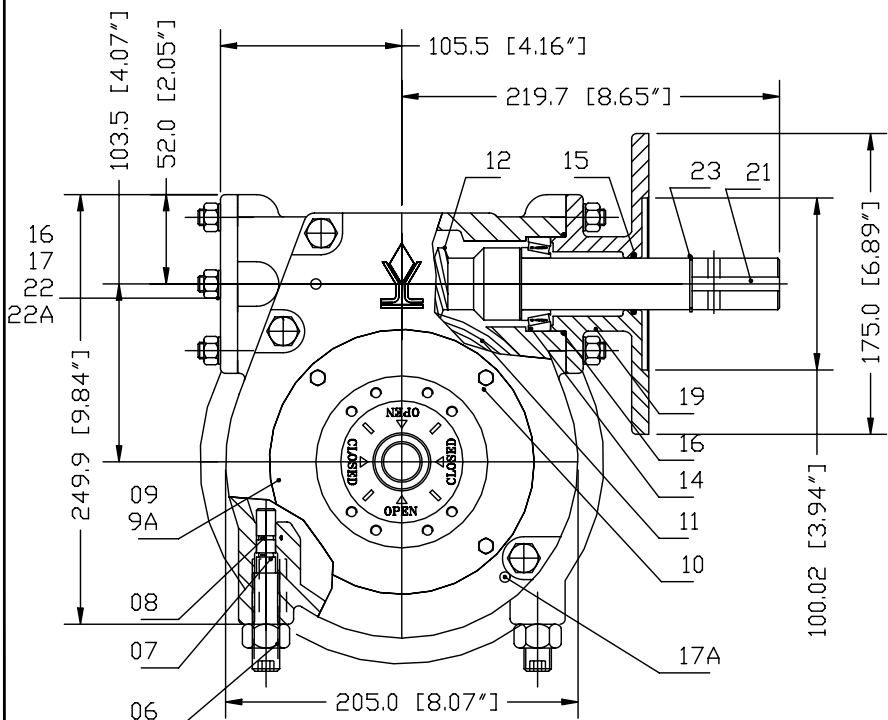
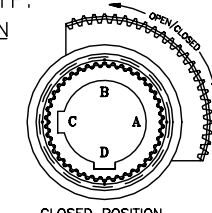
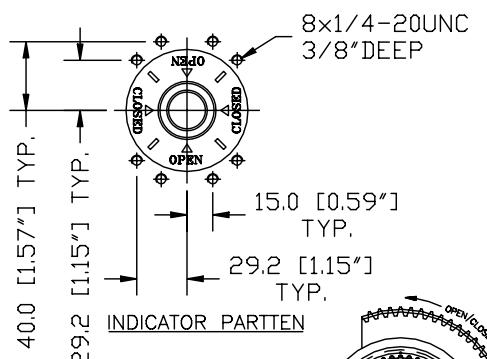
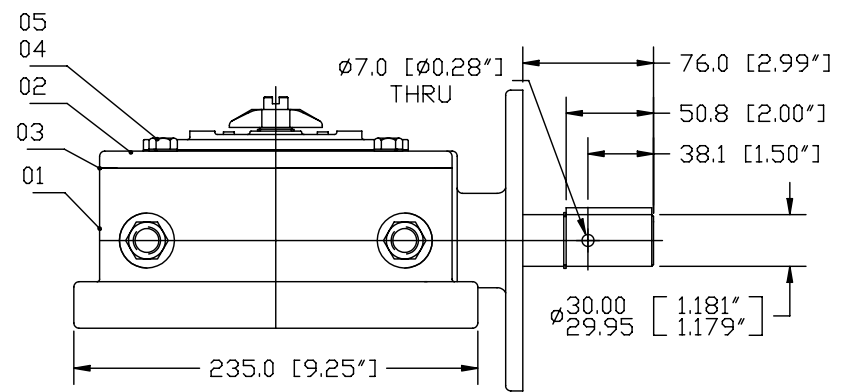
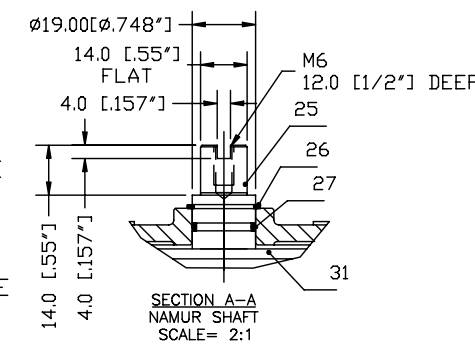


SUPERSEDING				SUPERSEDED BY			
LET ZONE	ECN	REVISION		DR. BY	CH. BY	APR. BY	DATE
A	ZONE	WAS CHANGED FROM 0200101D		PH	KH	DS	02-15-06



F14
4x ϕ 17.5 THRU
ON A ϕ 139.7 B.C
STRADDLE CENTERLINE

F10
4x ϕ 11.5 THRU
ON A ϕ 101.6 B.C
STRADDLE CENTERLINE



ITEM	QTY	PART NUMBER	MATERIAL	DESCRIPTION
32B	4		STEEL	DRIVE SCREW, U-TYPE
32A	1	0220025A	STAINLESS ST.	NAME PLATE
31	1	S0090009B	316 SS	GUIDE PLATE
29	1	S0030076A	316 SS	SPLINE SLEEVE
28	2		NITRILE	O-RING, 2-157, 75D
27	1		NITRILE	O-RING, 2-016-75D
26	1		STAINLESS ST.	SNAP RING TRUARC: 5100-75
25	1	S0050002A	316 SS	INDICATOR SHAFT
24	1	0150001A	PLASTIC	INDICATOR
23	1		STAINLESS ST.	SNAP RING, ϕ 30mm SHAFT
22A	8		STEEL	WASHER, LOCK, ϕ 3/8"
22	8		2H	HEX NUT, 3/8-16UNC
21	1	S0031079B	316 SS	KEY, 8mmx8mmx50mm LG
20	1	S0190034C	CF8M	MFA CAP
19	2	S0070036C	CF8M	CAP
17A	2		STEEL	DOWEL PIN: ϕ 6.00x20mm LG
17	8		STEEL	STUD, 3/8-16UNCx1 3/4" LG
16	2		NITRILE	O-RING, 2-138, 75D
15	2		NITRILE	O-RING, 2-123, 75D
14	2		STEEL	NSK TAPER ROLLER BEARING HR32006XJ
12	1	S0031079B	316 SS	WORM
11	1	S0030074C	BRONZE	WORM SEGMENT
10	4		STEEL	HEX. HCS: M6x16mm LG
9A	1		NITRILE	O-RING, 2-158, 75D
09	1	S0020026C	CF8M	INDICATOR COVER
08	4		NITRILE	O-RING, 2-011, 75D
07	2	S0140024A	316 SS	STOP
06	2		STEEL	HHCS, M16 x 25mm LG
05	6		STEEL	ϕ 10mm WASHER, LOCK
04	6		STEEL	HEX HCS: M10x25mm LG
03	1	0040031C	COMMERCIAL	GASKET
02	1	S0020025D	CF8M	TOP COVER
01	1	S0110100D	CF8M	MAIN HOUSING

MAX. OUTPUT TORQUE [IN.LB]	MAX. INPUT TORQUE [IN.LB]	RATIO	OUTPUT ANGULAR STROKE	TURN PER 90°	WEIGHT [LB]	MAX. ROUND BORE [IN]	MAX. SQUARE BORE [IN]	MAX. MOUNTING STRADDLE C/L [IN]	MIN. MOUNTING STRADDLE C/L [IN]	MAX. MOUNTING ON C/L [IN]	MIN. MOUNTING ON C/L [IN]
26,000	1,365	68:1	\pm 5°	17	61	ϕ 2.875" KEY: 1/2"x3/4"	2.31"	ϕ 8.00"	6.00"	ϕ 8.00"	6.00"

TITLE
S26WG68-02DGN
WORM GEAR

REV
11/09/02
11/09/02
11/09/02

DS

DIAMOND GEAR CO. LTD.
HOUSTON, TEXAS

S0200101D
A