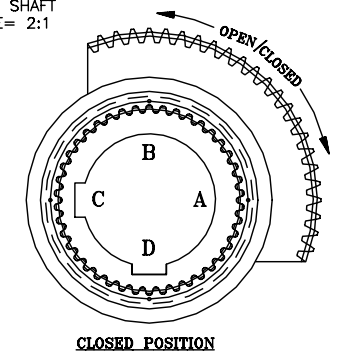
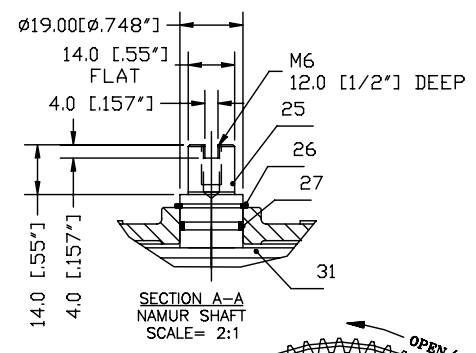
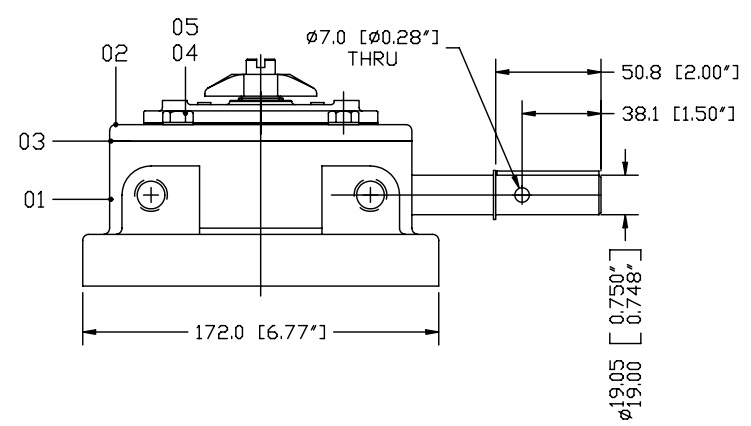
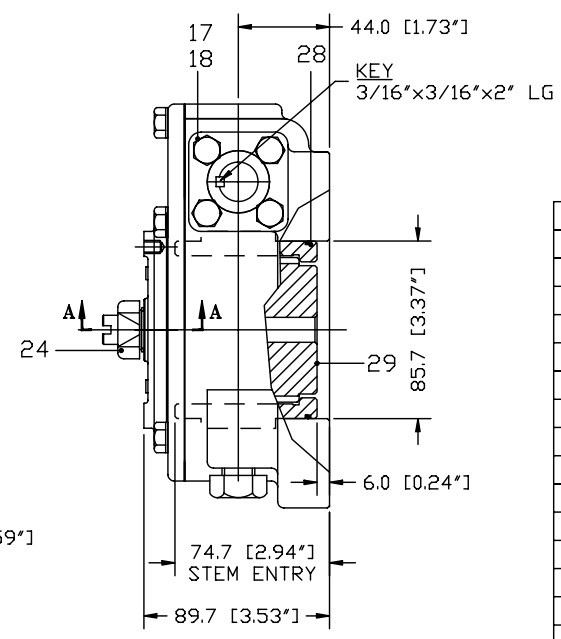
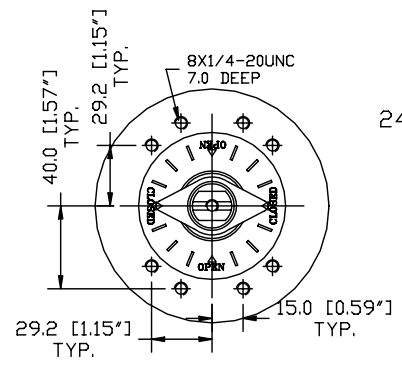
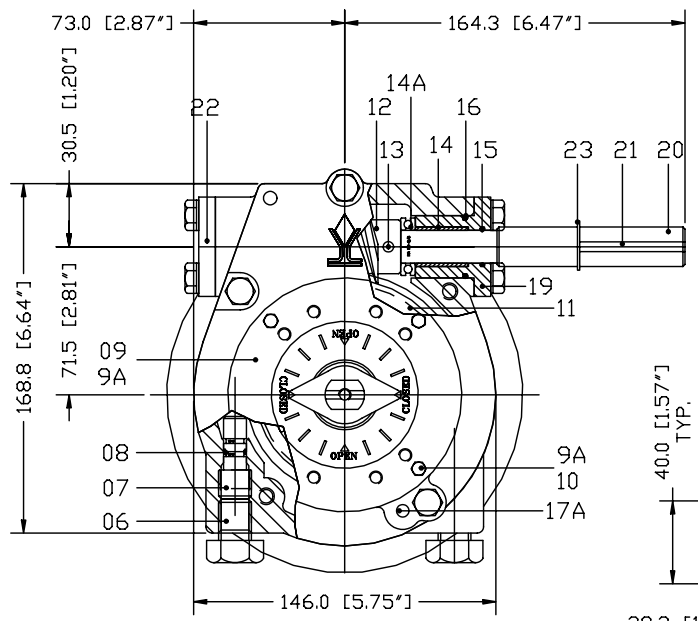


SUPERSEDING			SUPERSEDED BY				
LET	ZONE	ECN	REVISION	DR. BY	CH. BY	APR. BY	DATE



32A	1	0220004A	STAINLESS ST.	NAMEPLATE
31	1	S0090003B	316 SS	GUIDE PLATE
29	1	S0030014A	316 SS	STEM BUSHING
28	1		NITRILE	O-RING, 2-155, 75D
27	1		NITRILE	O-RING, 2-016, 75D
26	1		STAINLESS ST.	SNAP RING TRUARC: 5100-75
25	1	S0050002A	316 SS	INDICATOR SHAFT
24	1	O150001A	PLASTIC	INDICATOR
23	1		STAINLESS ST.	SNAP RING TRUARC: 5100-75
22	1	S0160001A	316 SS	PLUG
21	1	O050004B	STEEL	KEY, 3x16"x3/16"x2" LG
20	1	S0050004B	316 SS	SHAFT
19	2	S0070004C	CF8M	END CAP
18	8		STEEL	ø8mm LOCK WASHER
17A	2		STEEL	DOWEL PIN, ø6.0x16mm LG
17	8		STEEL	HHCS, M8x25mm LG
16	2		NITRILE	O-RING, 2-133, 75D
15	2		NITRILE	O-RING, 2-116, 75D
14A	2		STEEL	BEARING, THRUST, INA, EW-5/8"
14	2	O060003A	BRONZE	BEARING
13	2		STEEL	DOWEL PIN, ø6.0mmx26.0mm LG
12	1	O030013B	4140 STEEL	WORM
11	1	S0030012C	BRONZE	WORM SEGMENT
10	4		STEEL	HHCS, M4x16mm LG
9A	1		NITRILE	O-RING, 2-041, 75D
09	1	S0020006C	CF8M	INDICATOR COVER
08	4		NITRILE	O-RING, 2-011, 75D
07	2	S0140003A	316 SS	STOP
06	2		STEEL	HHCS M16 x 20mm LG
05	5		STEEL	ø8mm WASHER, LOCK
04	5		STEEL	HHCS, M8x25mm LG
03	1	O040008C	COMMERCIAL	GASKET
02	1	S0020021D	CF8M	TOP COVER
01	1	S0110006D	CF8M	MAIN HOUSING
ITEM	QTY	PART NUMBER	MATERIAL	DESCRIPTION

MAX. OUTPUT TORQUE [IN.LB]	MAX. INPUT TORQUE [IN.LB]	RATIO	OUTPUT ANGULAR STROKE	TURN PER 90°	WEIGHT [LB]	MAX. ROUND BORE [IN]	MAX. SQUARE BORE [IN]	MAX. MOUNTING STRADDLE C/L [IN]	MIN. MOUNTING STRADDLE C/L [IN]	MAX. MOUNTING ON C/L [IN]	MIN. MOUNTING ON C/L [IN]
13,000	860	56:1	±5°	14	26	ø1.875" KEY:1/2"x3/8"	1.32"	ø5.5"	ø4.50"	ø5.5"	ø4.50"

TITLE

**S13WG56  
WORM GEAR**

REV

07/20/07

11-26-99

07/20/07

**DIAMOND GEAR CO. LTD.**  
HOUSTON, TEXAS

**S0200004D**

-