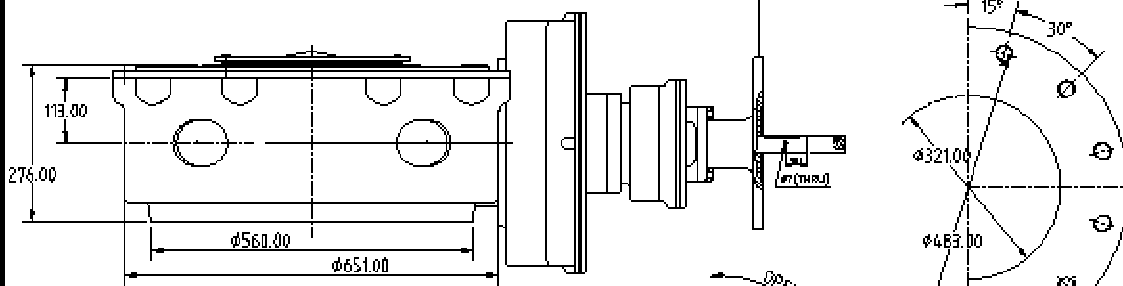
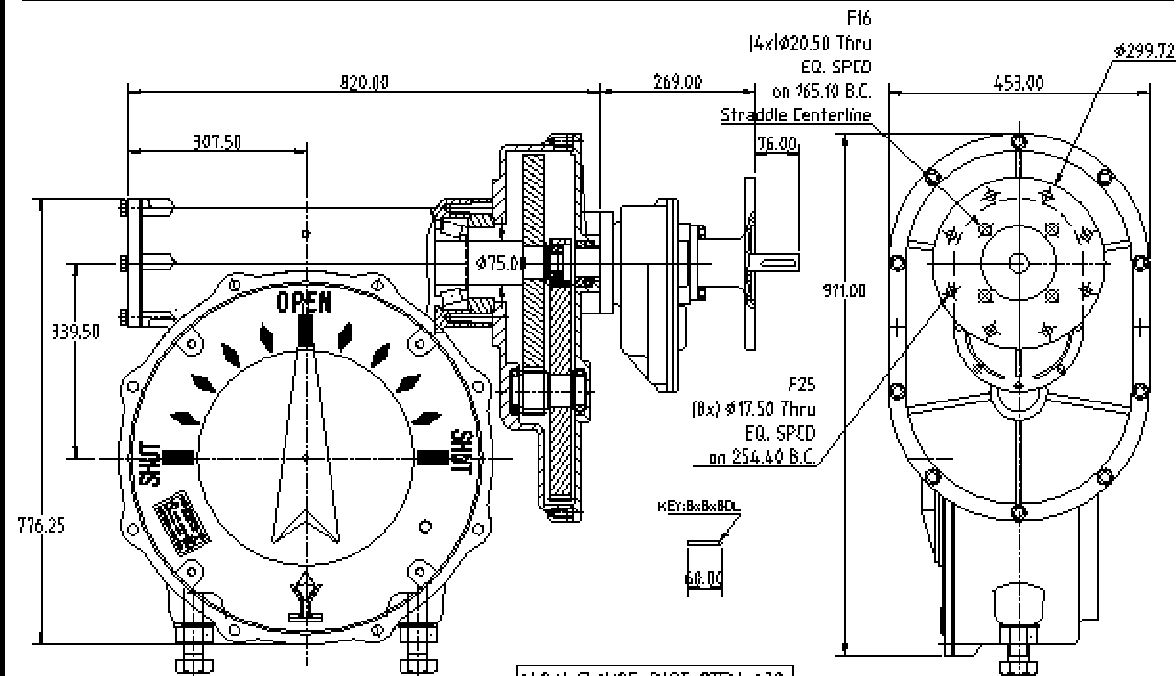


DIAMOND GEAR CO., LTD.

942WG2934



DI.A.	RIM PULL AT MAX. O/P TORQUE (LBS.)	WEIGHT
24"	96	1576
30"	76	
36"	64	

MAX. OUTPUT TORQUE (IN.LB)	MAX. INPUT TORQUE (IN.LB)	RATIO	MECHANICAL ADVANTAGE	OUTPUT ANGULAR STROKE	TURN PER 90°	MAX. ROUND BORE (IN)	MAX. SQUARE BORE (IN)	MAX. MOUNTING STRADDLE C/L (IN)	MIN. MOUNTING STRADDLE C/L (IN)	PREFERRED MOUNTING STRADDLE C/L (IN)
942,000	1946	2934 : 1	822	± 20°	7335	19.20" Key: 2.75" x 1.40"	7.25"	24.50"	15.50"	FA48



DIAMOND GEAR CO. LTD.

HOUSTON, TEXAS, USA

PHONE: 713-590-0270, FAX: 713-590-0278



C921128A

REV.0

06/02/09