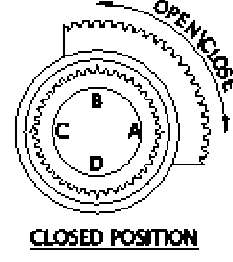
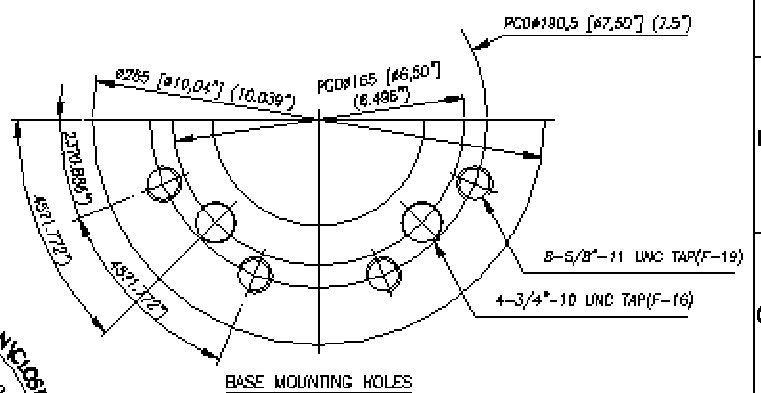
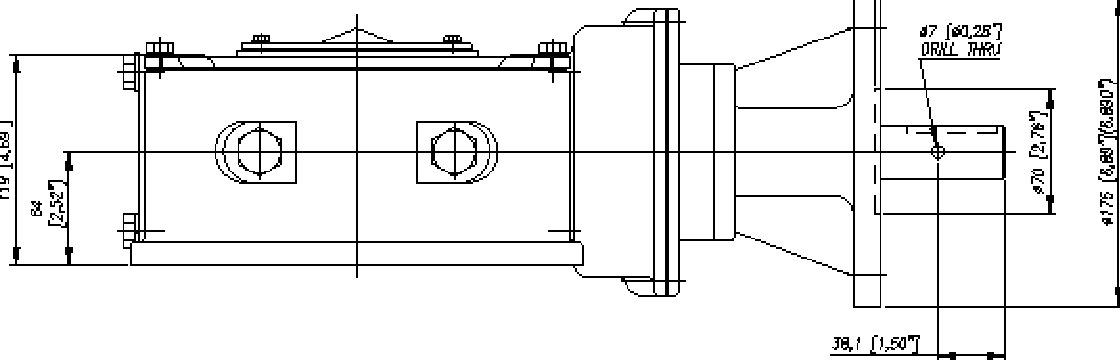
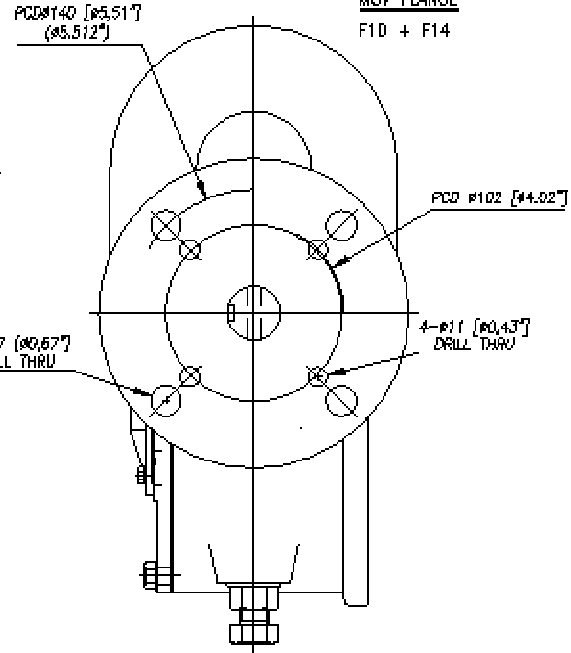
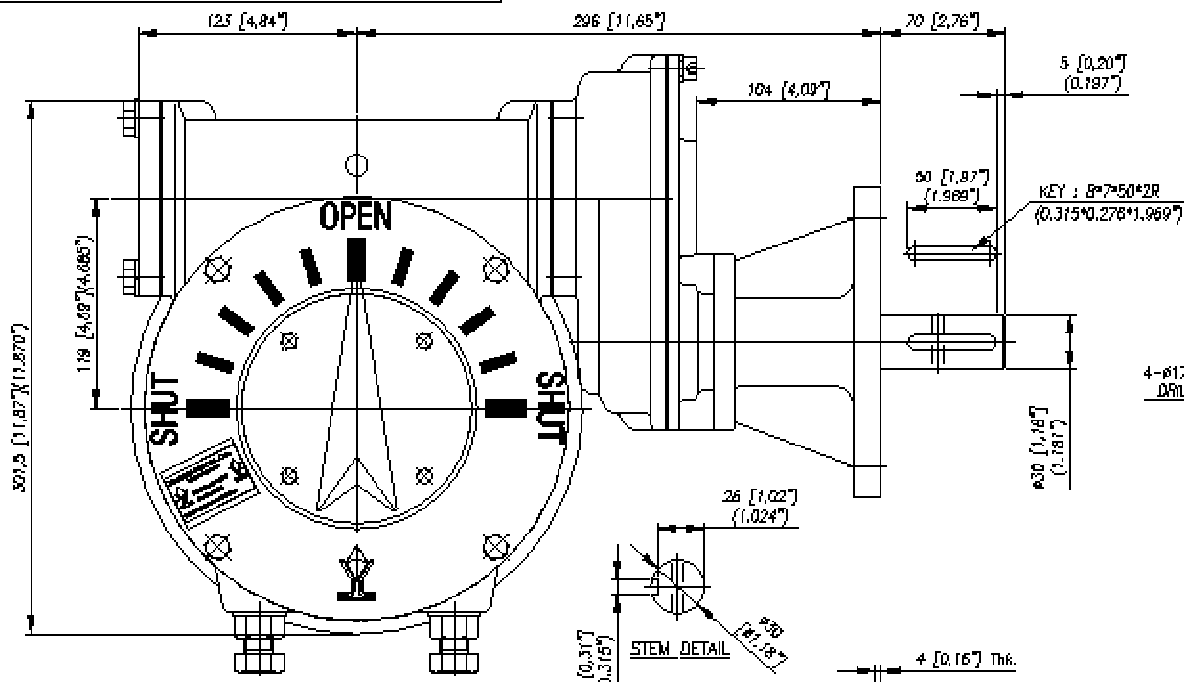


# DIAMOND GEAR CO., LTD.

# 42WG120

## HANDWHEEL DATA

| DIA. | RIM PULL AT MAX. O/P TORQUE (Lbs.) |
|------|------------------------------------|
| 14"  | 168                                |
| 16"  | 147                                |
| 18"  | 131                                |
| 20"  | 118                                |
| 24"  | 98                                 |
| 30"  | 79                                 |



| MAX. OUTPUT TORQUE [IN.LB] | MAX. INPUT TORQUE [IN.LB] | RATIO | MECHANICAL ADVANTAGE | OUTPUT ANGULAR STROKE | TURN PER 90° | WEIGHT [LBS] |
|----------------------------|---------------------------|-------|----------------------|-----------------------|--------------|--------------|
| 42,400                     | 1178                      | 120:1 | 38                   | ±20°                  | 30           | 86           |

| MAX. ROUND BORE [IN.]    | MAX. SQUARE BORE [IN.] | MAX. MOUNTING STRADDLE C/L [IN.] | MIN. MOUNTING STRADDLE C/L [IN.] | MAX. MOUNTING ON C/L [IN.] | MIN. MOUNTING ON C/L [IN.] | PREFERRED MOUNTING STRADDLE C/L [IN.] |
|--------------------------|------------------------|----------------------------------|----------------------------------|----------------------------|----------------------------|---------------------------------------|
| 3.000<br>3/8" x 5/8" Key | 2.125                  | 9.000                            | 6.000                            | N/A                        | N/A                        | FA16, FA19                            |

Units: MM [Inch]      **C921121A**      **REV. 0**  
**DIAMOND GEAR CO., LTD.**  
 HOUSTON, TEXAS USA  
 PHONE: 713-590-4270, FAX: 713-590-4278