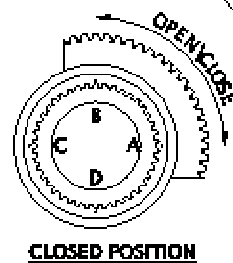
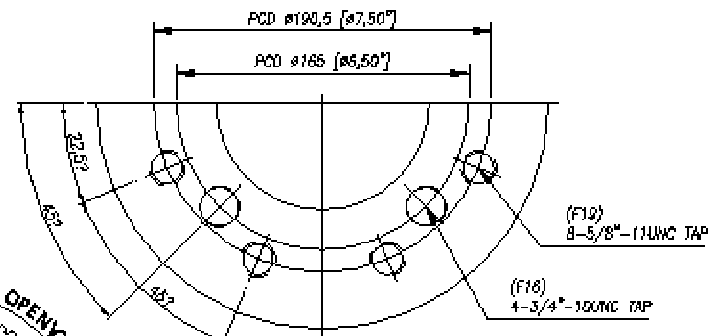
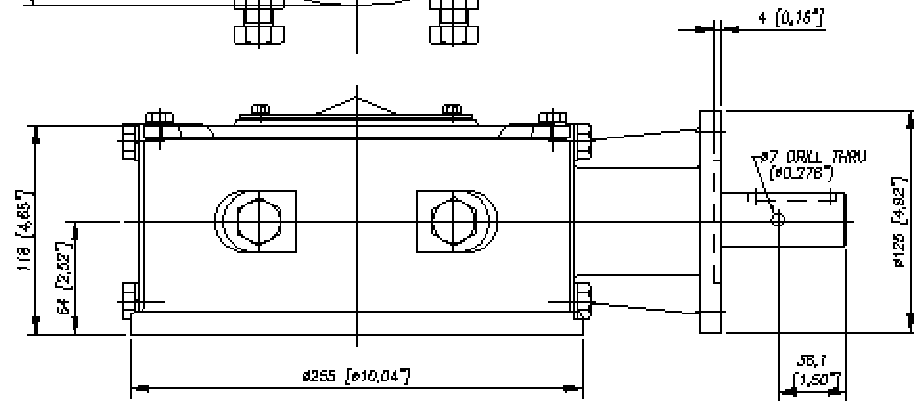
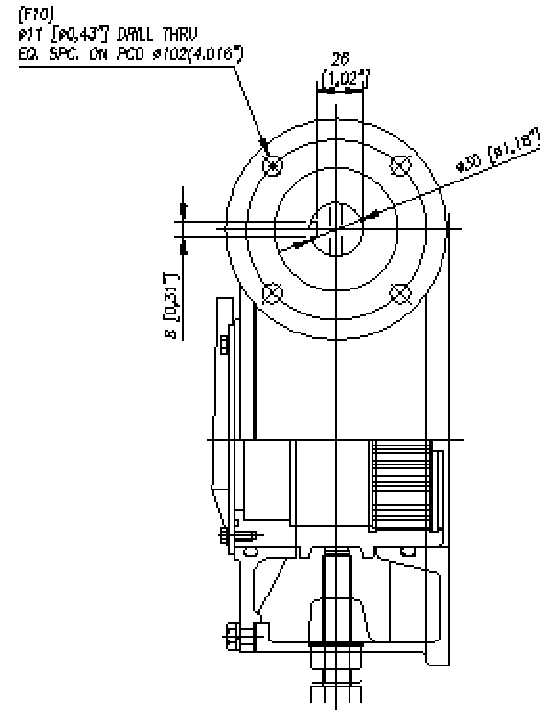
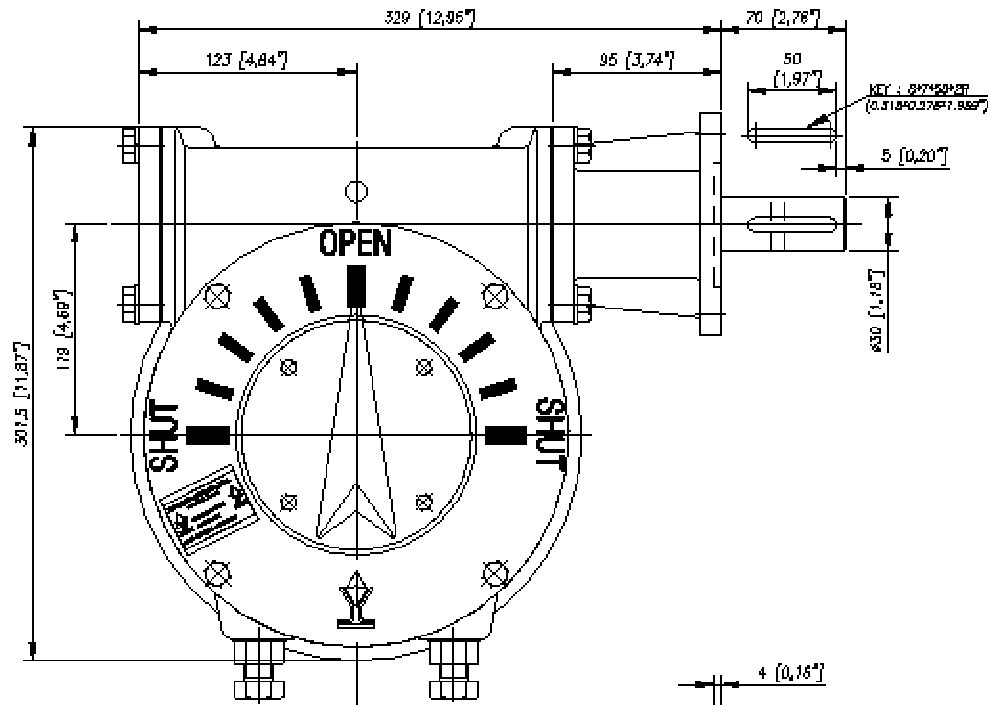


DIAMOND GEAR CO., LTD.

42WG48

HANDWHEEL DATA

DIA.	RIM PULL AT MAX. Q/P TORQUE (Lbs.)
18"	289
20"	260
24"	217
30"	174
36"	145



MAX. OUTPUT TORQUE [IN.LB]	MAX. INPUT TORQUE [IN.LB]	RATIO	MECHANICAL ADVANTAGE	OUTPUT ANGULAR STROKE	TURN PER 90°	WEIGHT [LBS]
42,400	2601	48:1	18.3	±20°	12	77

MAX. ROUND BORE [IN.]	MAX. SQUARE BORE [IN.]	MAX. MOUNTING STRADDLE C/L [IN.]	MIN. MOUNTING STRADDLE C/L [IN.]	MAX. MOUNTING ON C/L [IN.]	MIN. MOUNTING ON C/L [IN.]	PREFERRED MOUNTING STRADDLE C/L [IN.]
3.000 3/4 x 5/8 Key	2.125	9.000	6.000	N/A	N/A	FA16 FA19

Units: MM [Inch]

C921120A

REV. 0

01/16/09

DIAMOND GEAR CO., LTD.
HOUSTON, TEXAS USA
PHONE: 713-590-4270, FAX: 713-590-4278