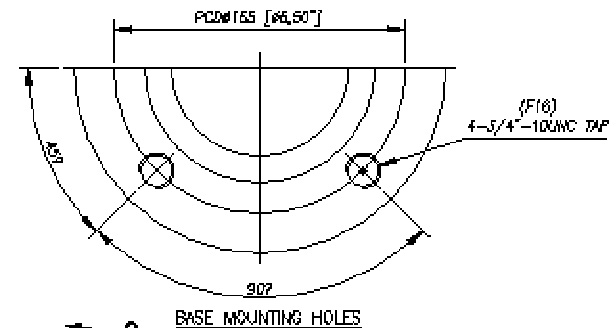
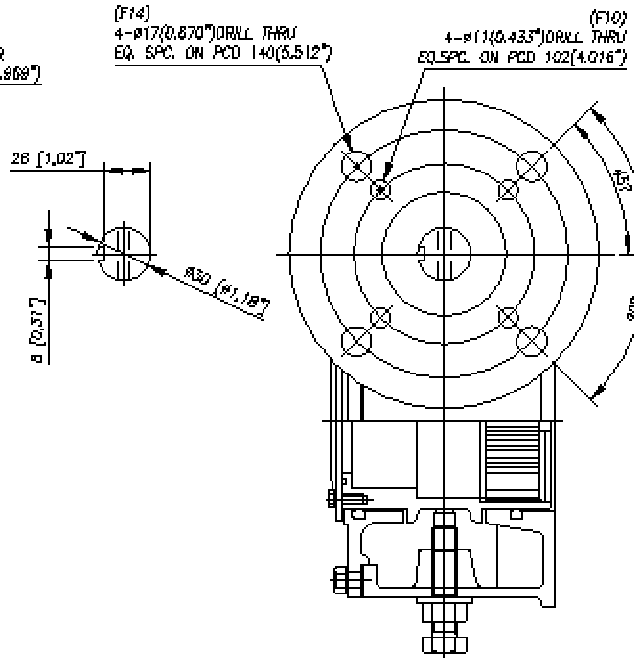
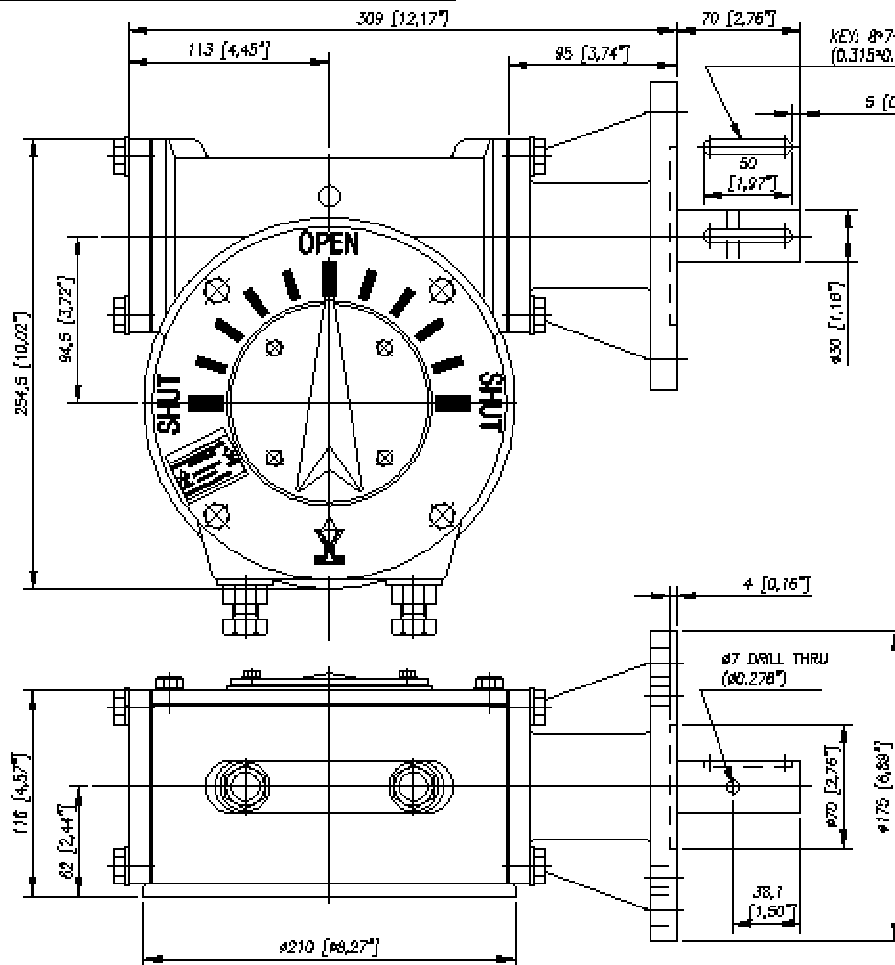


DIAMOND GEAR CO., LTD.

24WG42

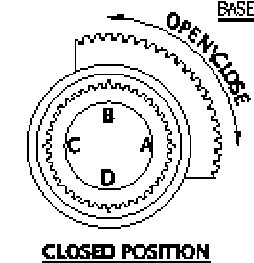
HANDWHEEL DATA

DIA.	RIM PULL AT MAX. Q/P TORQUE (Lbs.)
18"	183
20"	174
24"	145
30"	116
36"	97



MAX. OUTPUT TORQUE [IN.LB]	MAX. INPUT TORQUE [IN.LB]	RATIO	MECHANICAL ADVANTAGE	OUTPUT ANGULAR STROKE	TURN PER 90°	WEIGHT [LBS]
24,893	1740	42:1	14.3	±20°	10.5	57

MAX. ROUND BORE [IN.]	MAX. SQUARE BORE [IN.]	MAX. MOUNTING STRADDLE C/L [IN.]	MIN. MOUNTING STRADDLE C/L [IN.]	MAX. MOUNTING ON C/L [IN.]	MIN. MOUNTING ON C/L [IN.]	PREFERRED MOUNTING STRADDLE C/L [IN.]
2.500 5/8 x 1/2 Key	1.750	7.500	3.750	N/A	N/A	FA16



Units: MM [Inch]

C921119A

REV. 0

01/16/09

DIAMOND GEAR CO., LTD.
HOUSTON, TEXAS USA
PHONE: 713-590-4270, FAX: 713-590-4278