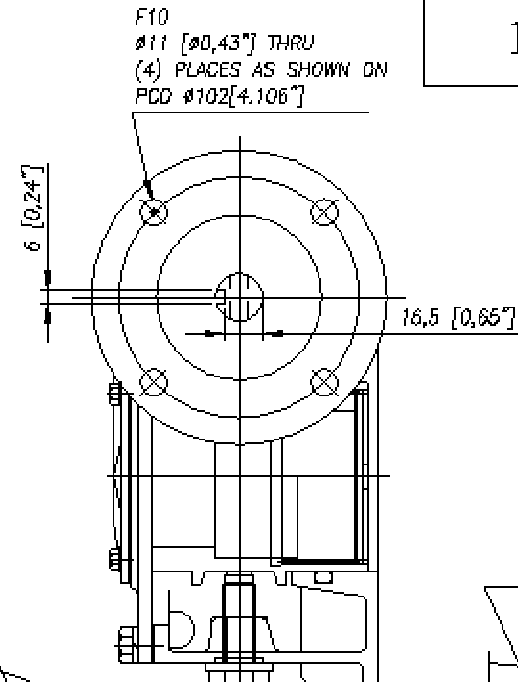
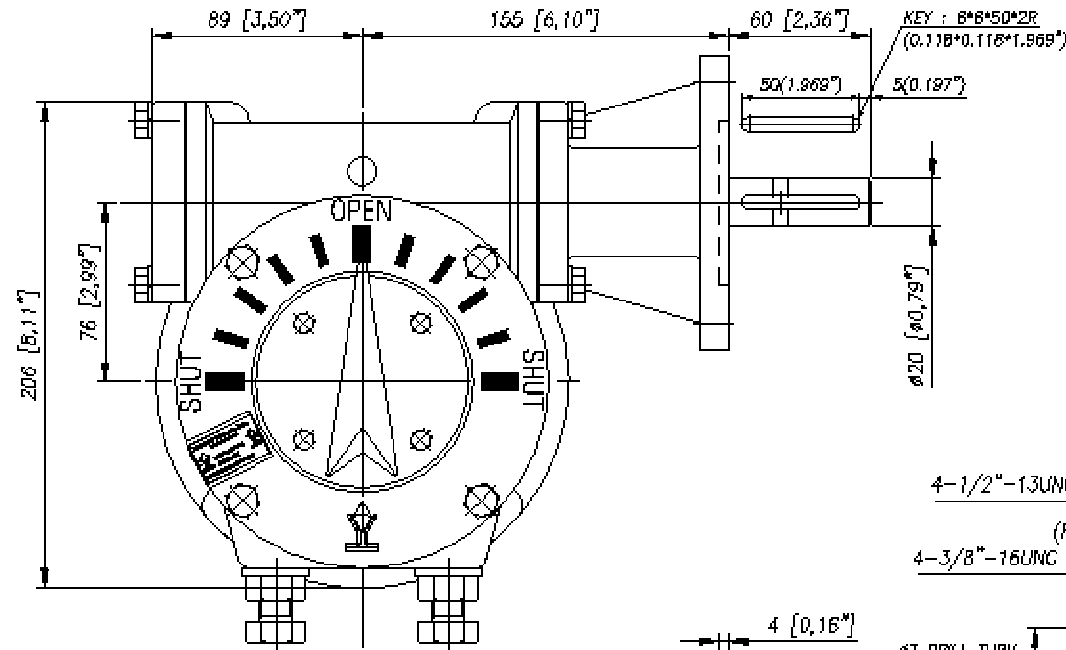
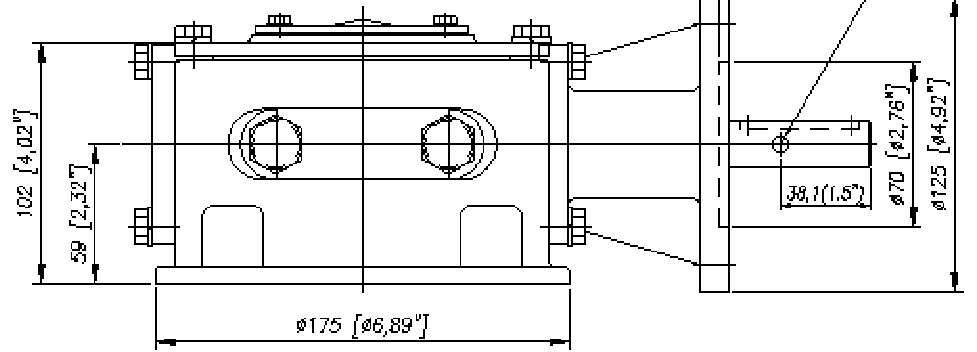


# DIAMOND GEAR CO., LTD.

# 14WG38



HANDWHEEL DATA	
DIA.	RIM PULL AT MAX. O/P TORQUE (Lbs.)
10"	231
12"	192
14"	165
16"	144
18"	128
20"	115
24"	96

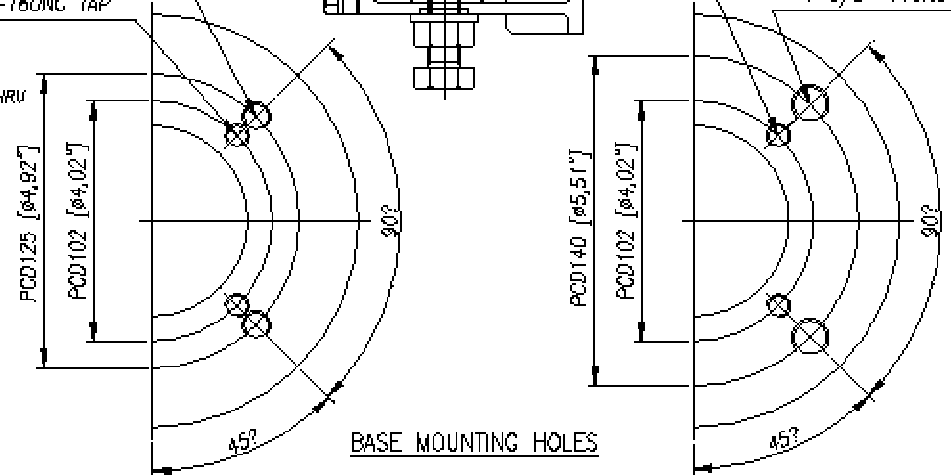


(F12)  
4-1/2"-13UNC TAP

(F10)  
4-3/8"-18UNC TAP

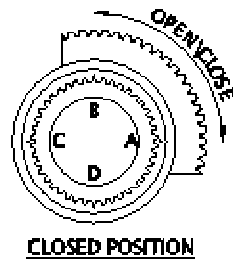
(F10)  
4-3/8"-18UNC TAP

(F14)  
4-5/8"-11UNC TAP



MAX. OUTPUT TORQUE [IN.LB]	MAX. INPUT TORQUE [IN.LB]	RATIO	MECHANICAL ADVANTAGE	OUTPUT ANGULAR STROKE	TURN PER 90°	WEIGHT [LBS]
14,877	1153	38:1	12.9	±20°	9.50	31

MAX. ROUND BORE [IN.]	MAX. SQUARE BORE [IN.]	MAX. MOUNTING STRADDLE C/L [IN.]	MIN. MOUNTING STRADDLE C/L [IN.]	MAX. MOUNTING ON C/L [IN.]	MIN. MOUNTING ON C/L [IN.]	PREFERRED MOUNTING STRADDLE C/L [IN.]
2.125" 1/2 X 3/8 Key	1.500"	8.00"	3.75	N/A	N/A	FA10, FA12 FA10, FA14



Units: MM [Inch]

C921118A

REV. 0

01/15/09



**DIAMOND GEAR CO. LTD.**  
**HOUSTON, TEXAS USA**



PHONE: 713-590-0270, FAX: 713-590-0278