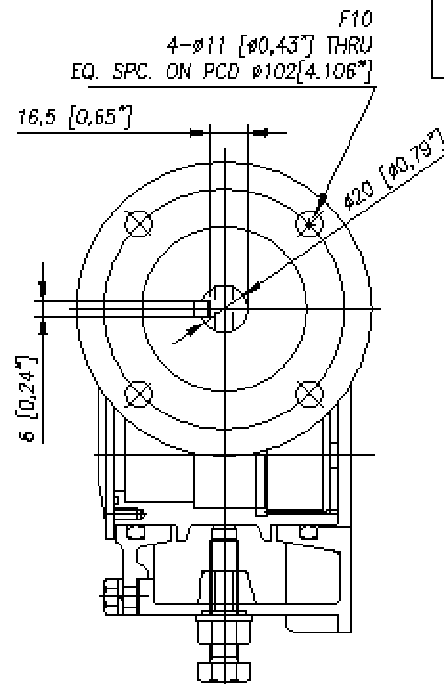
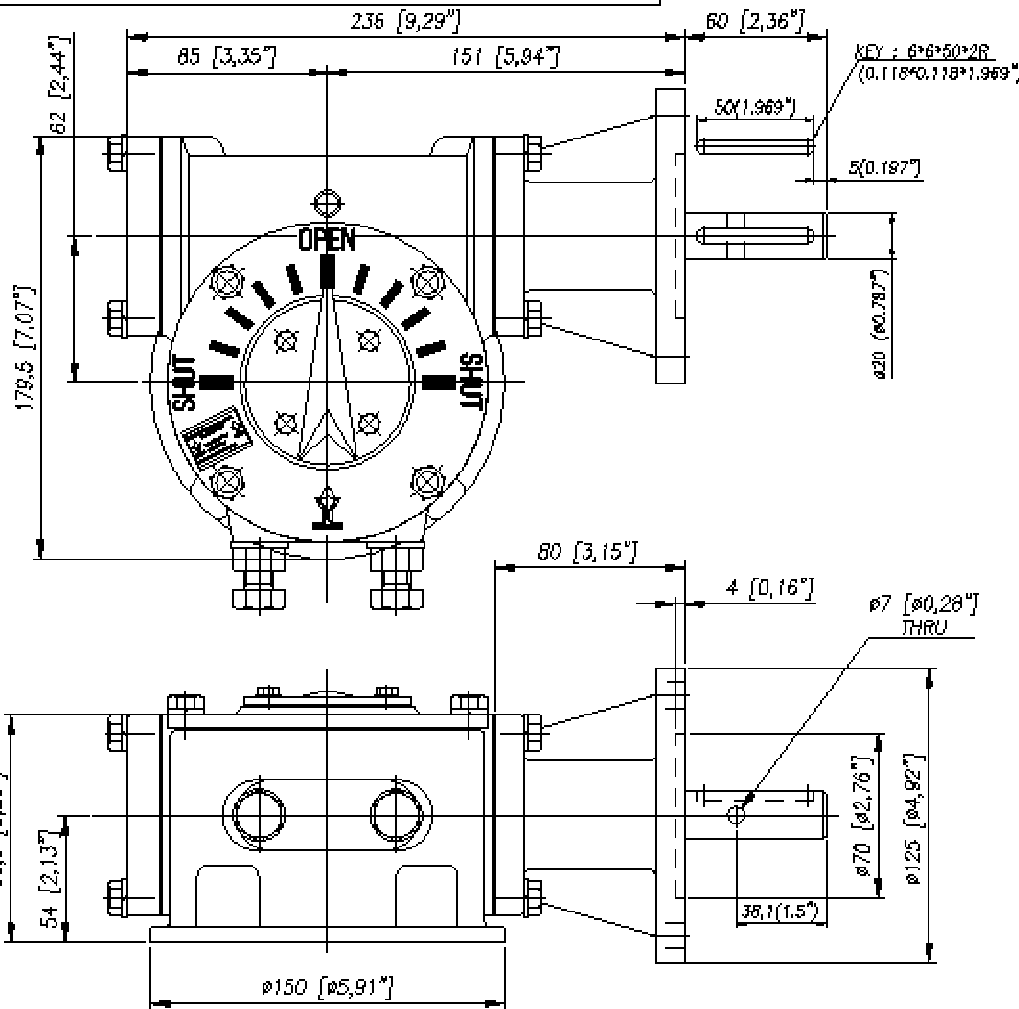
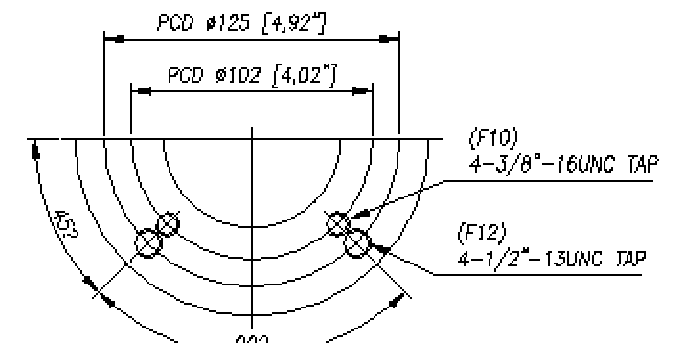


DIAMOND GEAR CO., LTD.

8WG36

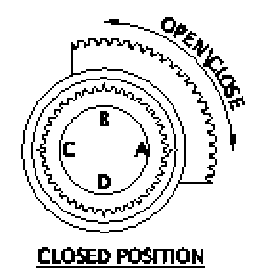


HANDWHEEL DATA	
DIA.	RIM PULL AT MAX. O/P TORQUE (Lbs.)
8"	169
10"	135
12"	113
14"	97
16"	85
18"	75



MAX. OUTPUT TORQUE [IN.LB]	MAX. INPUT TORQUE [IN.LB]	RATIO	MECHANICAL ADVANTAGE	OUTPUT ANGULAR STROKE	TURN PER 90°	WEIGHT [LBS]
8048	678	36:1	11.9	±20°	9	24

MAX. ROUND BORE [IN.]	MAX. SQUARE BORE [IN.]	MAX. MOUNTING STRADDLE C/L [IN.]	MIN. MOUNTING STRADDLE C/L [IN.]	MAX. MOUNTING ON C/L [IN.]	MIN. MOUNTING ON C/L [IN.]	PREFERRED MOUNTING STRADDLE C/L [IN.]
1.260*	1.000*	5.25	3.75	N/A	N/A	FA10, FA12



Units: MM [Inch] **C921117A** **REV. 0**
01/15/09

DIAMOND GEAR CO. LTD.
HOUSTON, TEXAS USA
PHONE: 713-590-0270, FAX: 713-590-0278