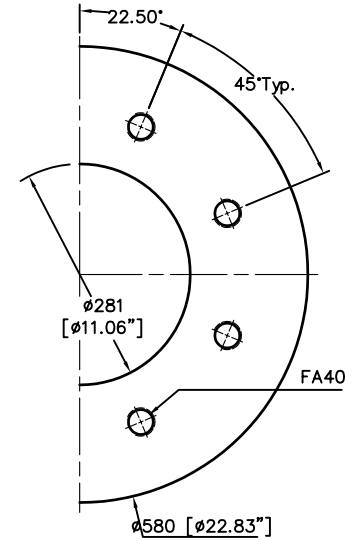
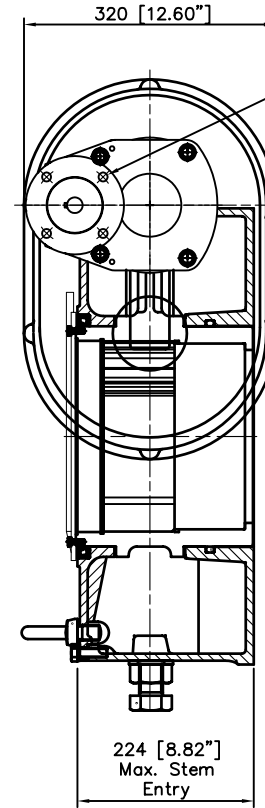
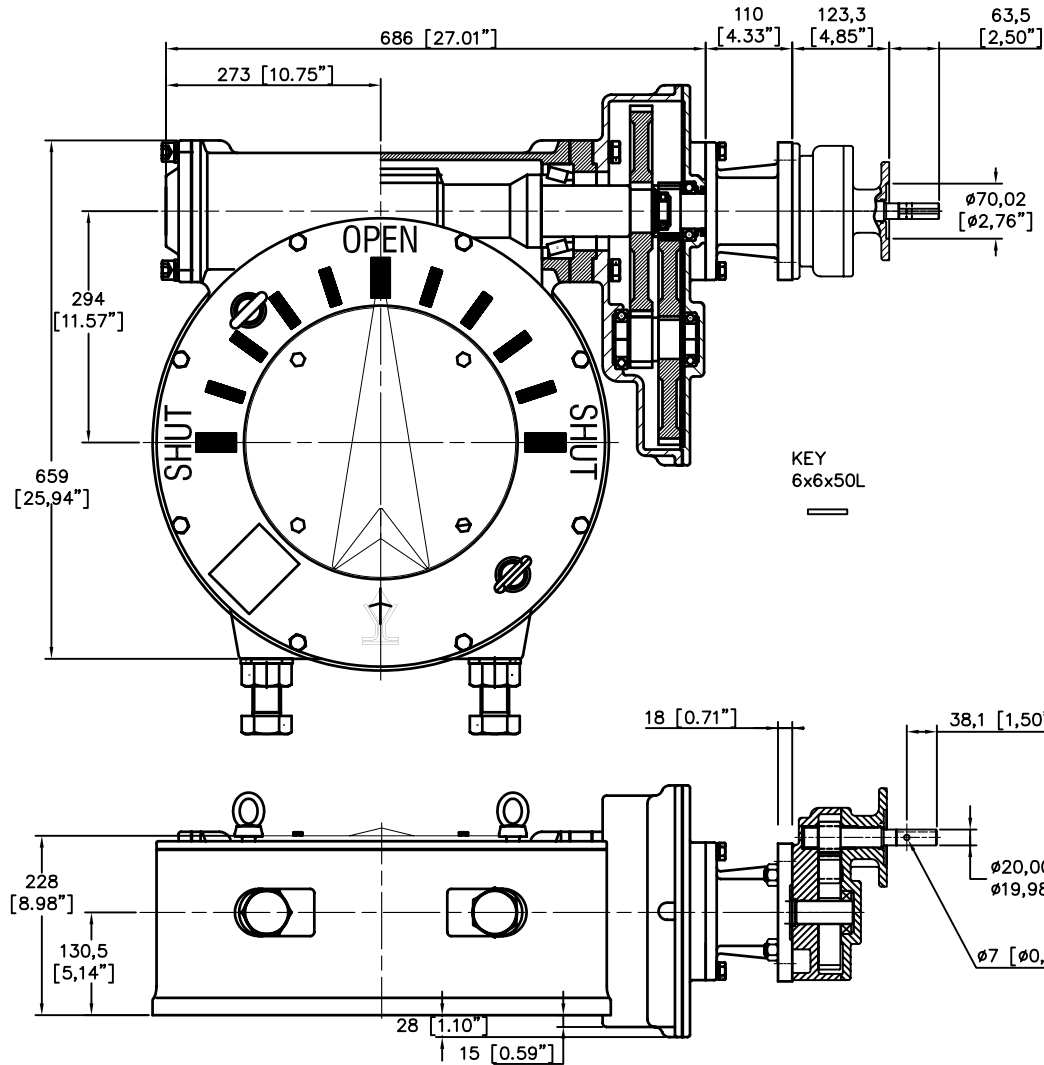
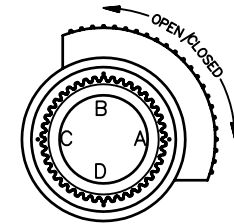


DIAMOND GEAR CO., LTD.

509WG2440




DIA.	RIM PULL AT MAX. O/P TORQUE (Lbs.)
18"	72
20"	64
24"	54
30"	43
36"	36



MAX. OUTPUT TORQUE [IN.LB]	MAX. INPUT TORQUE [IN.LB]	RATIO	MECHANICAL ADVANTAGE	OUTPUT ANGULAR STROKE	TURN PER 90°	WEIGHT [LB]
509,714	642	2440:1	794.5	$\pm 20^\circ$	610	814

MAX. ROUND BORE [IN]	MAX. SQUARE BORE [IN]	MAX. MOUNTING STRADDLE C/L [IN]	MIN. MOUNTING STRADDLE C/L [IN]	MAX. MOUNTING ON C/L [IN]	MIN. MOUNTING ON C/L [IN]	PREFERRED MOUNTING STRADDLE C/L [IN]
7.87	5.5625	20"	12.50	N/A	N/A	FA40

C921115A 02/18/08


DIAMOND GEAR CO. LTD.
 HOUSTON, TEXAS, USA
 PHONE: 713-590-0270, FAX: 713-590-0278
 