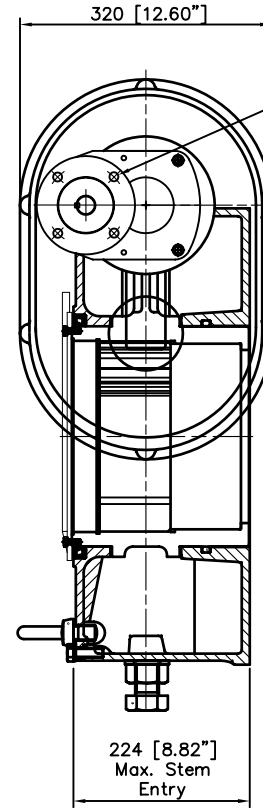
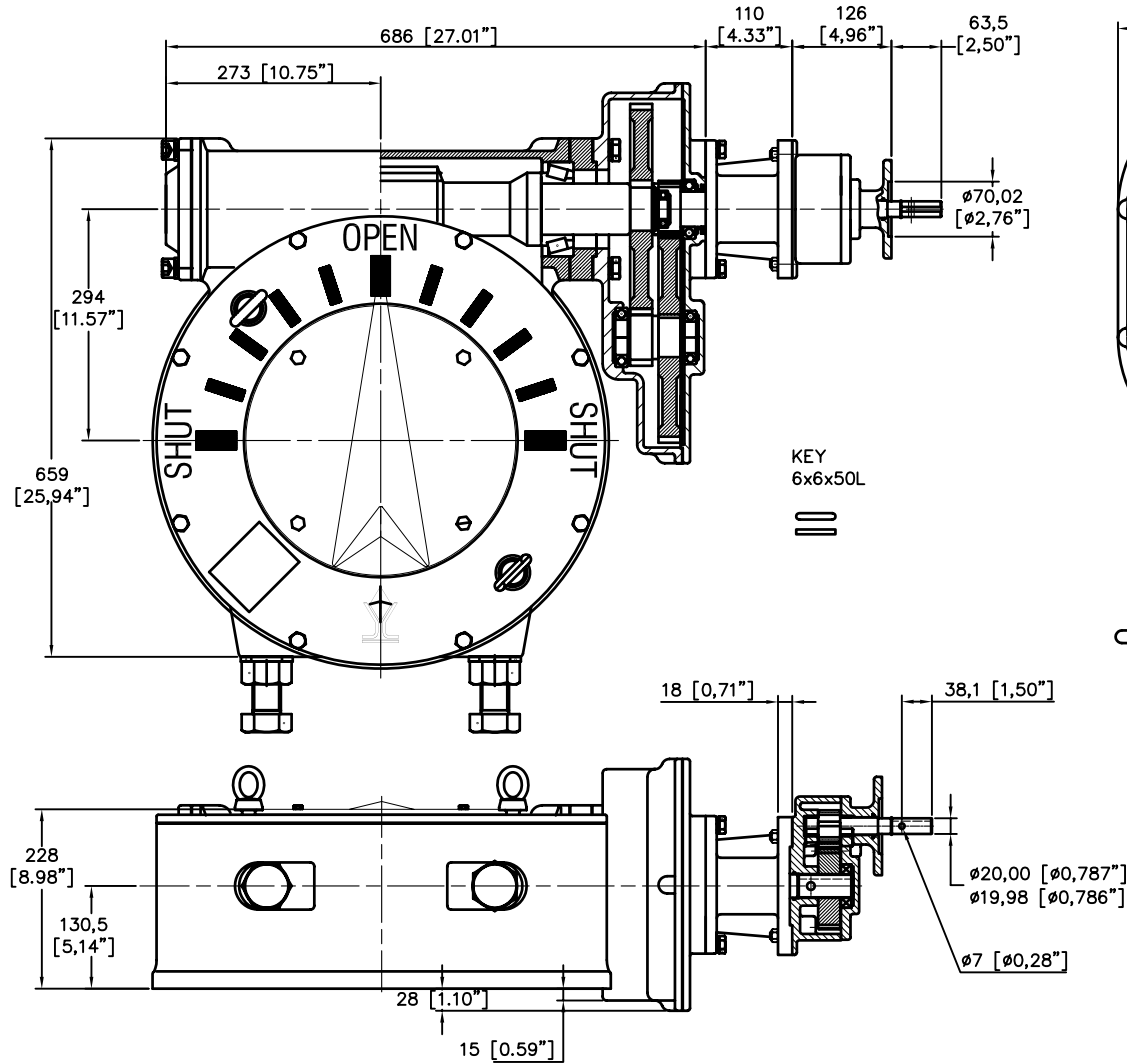
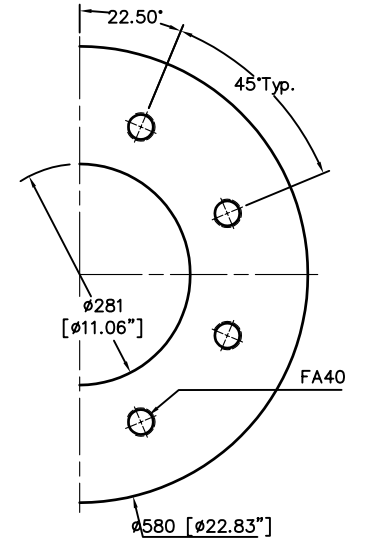


DIAMOND GEAR CO., LTD.

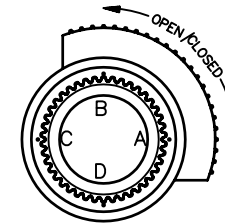
509WG1830



F10
4 x $\phi 11.5$ [$\phi 0.45$] Thru
EQ. SP. on 101,6 [4.00"] B.C.
Straddle Centerline



DIA.	RIM PULL AT MAX. O/P TORQUE (Lbs.)
18"	95
20"	86
24"	72
30"	57
36"	48



CLOSED POSITION

REV.-

C92114A 02/18/08

MAX. OUTPUT TORQUE [IN.LB]	MAX. INPUT TORQUE [IN.LB]	RATIO	MECHANICAL ADVANTAGE	OUTPUT ANGULAR STROKE	TURN PER 90°	WEIGHT [LB]
509,714	855	1830:1	595.9	$\pm 20^\circ$	457.5	811

MAX. ROUND BORE [IN]	MAX. SQUARE BORE [IN]	MAX. MOUNTING STRADDLE C/L [IN]	MIN. MOUNTING STRADDLE C/L [IN]	MAX. MOUNTING ON C/L [IN]	MIN. MOUNTING ON C/L [IN]	PREFERRED MOUNTING STRADDLE C/L [IN]
7.87	5.5625	20"	12.50	N/A	N/A	FA40

DIAMOND GEAR CO. LTD.
HOUSTON, TEXAS, USA
PHONE: 713-590-0270, FAX: 713-590-0278