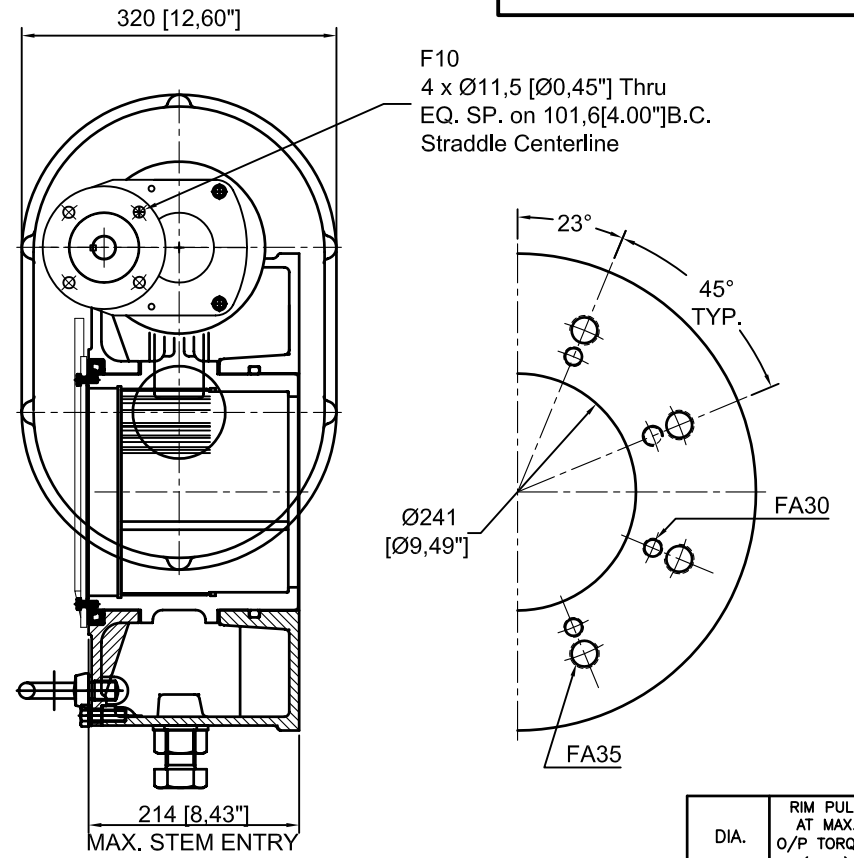
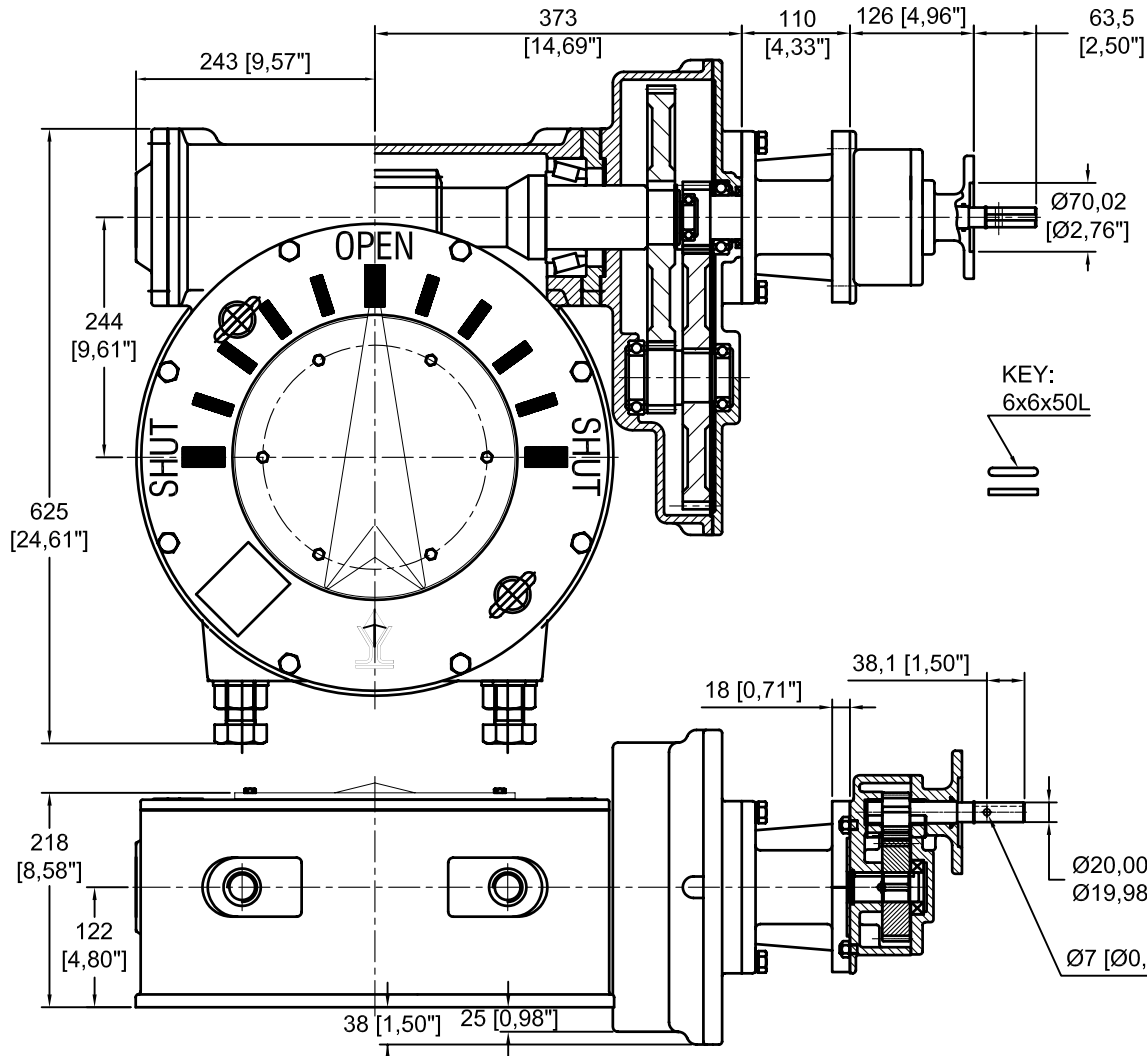
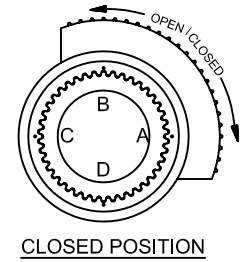


# DIAMOND GEAR CO., LTD.

# 266WG1464



DIA.	RIM PULL AT MAX. O/P TORQUE (Lbs.)
16"	71
18"	63
20"	57
24"	48



MAX. OUTPUT TORQUE [IN.LB]	MAX. INPUT TORQUE [IN.LB]	RATIO	MECHANICAL ADVANTAGE	OUTPUT ANGULAR STROKE	TURN PER 90°	WEIGHT [LBS.]
266,327	566	1464:1	470.4	±20°	366	555

MAX. ROUND BORE [IN]	MAX. SQUARE BORE [IN]	MAX. MOUNTING STRADDLE C/L [IN]	MIN. MOUNTING STRADDLE C/L [IN]	MAX. MOUNTING ON C/L [IN]	MIN. MOUNTING ON C/L [IN]	PREFERRED MOUNTING STRADDLE C/L [IN]
6.25	4.4375	17.50	10.50	N/A	N/A	FA30, FA35

REV.-  
C921113A 02/18/08

**DIAMOND GEAR CO. LTD.**  
 HOUSTON, TEXAS, USA  
 PHONE: 713-590-0270, FAX: 713-590-0278