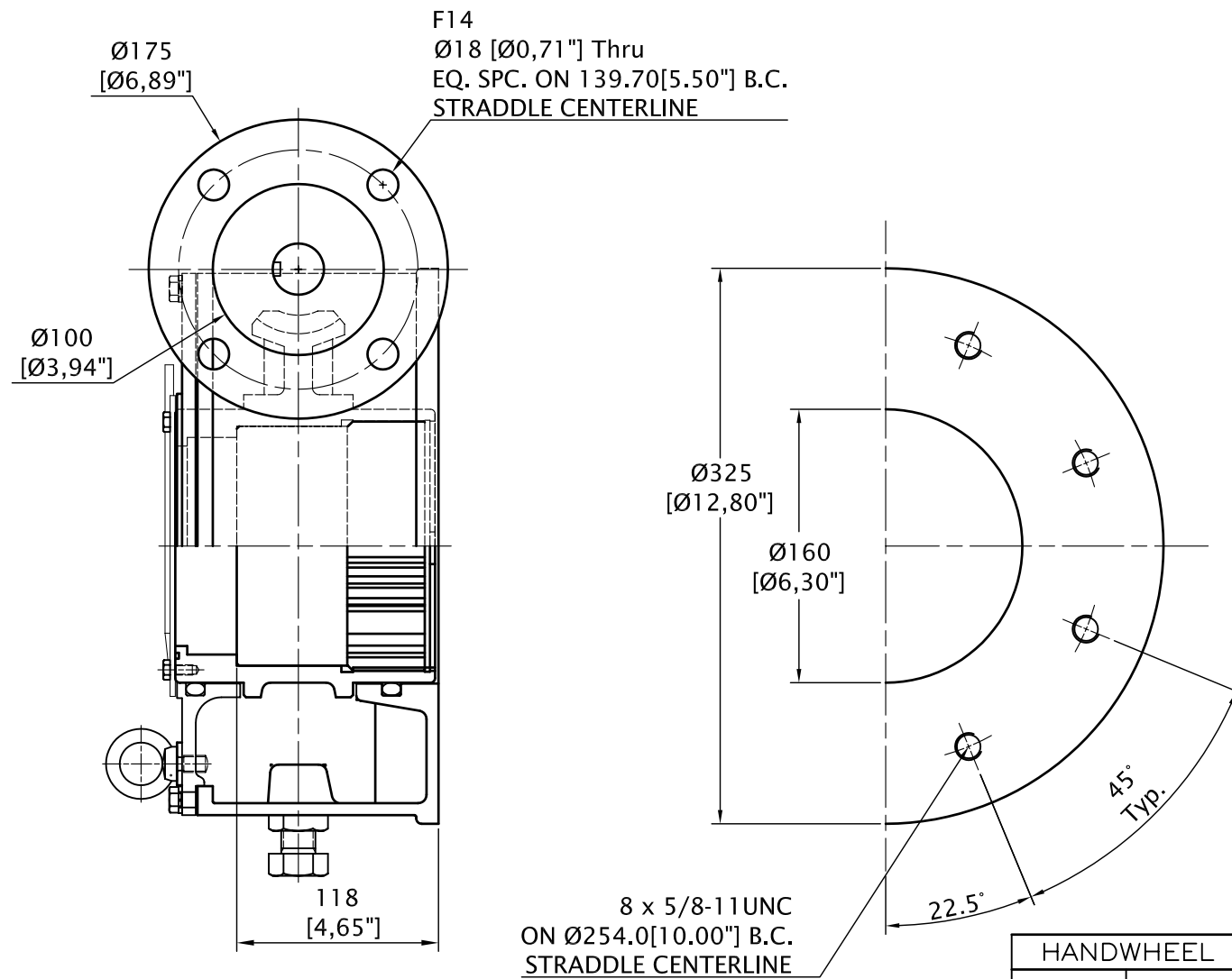
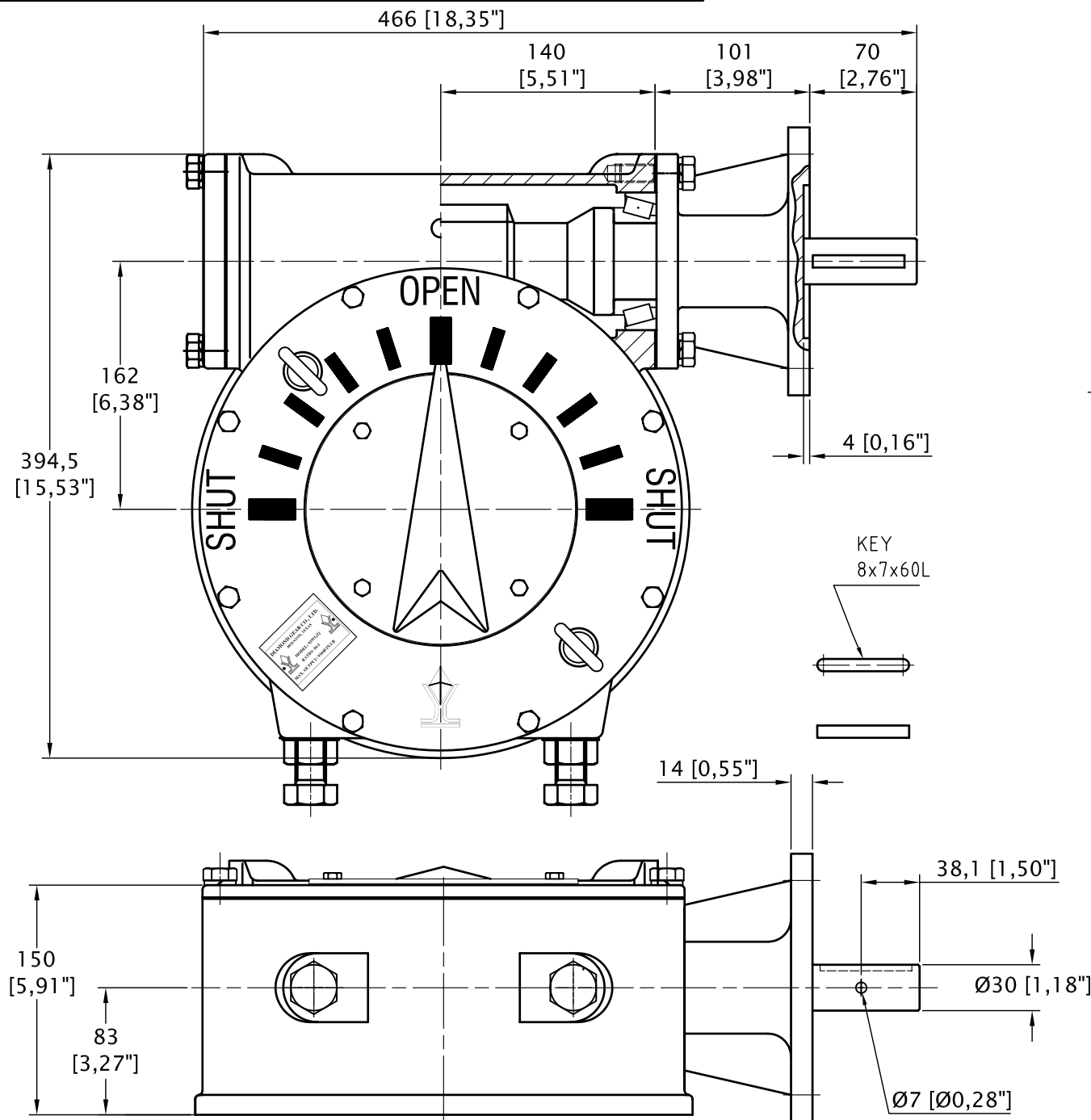


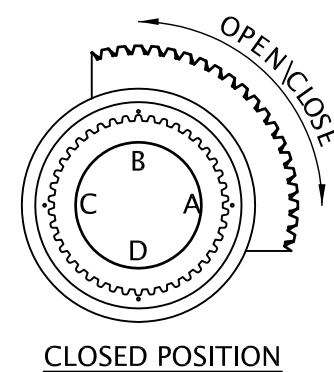
DIAMOND GEAR CO., LTD.

93WG52



HANDWHEEL DATA

DIA.	RIM PULL AT MAX. O/P TORQUE (Lbs.)
18"	525
20"	472
24"	394
30"	315
36"	262
48"	197



UNITS: MM [INCHES]

C921112A

REV. A

12/05/07

MAX. OUTPUT TORQUE [IN.LB]	MAX. INPUT TORQUE [IN.LB]	RATIO	MECHANICAL ADVANTAGE	OUTPUT ANGULAR STROKE	TURN PER 90°	WEIGHT [LBS]
93,444	4719	52:1	19.8	±20°	14	137

MAX. ROUND BORE [IN.]	MAX. SQUARE BORE [IN.]	MAX. MOUNTING STRADDLE C/L [IN.]	MIN. MOUNTING STRADDLE C/L [IN.]	MAX. MOUNTING ON C/L [IN.]	MIN. MOUNTING ON C/L [IN.]	PREFERRED MOUNTING STRADDLE C/L [IN.]
4.25	3.00	11.75	7.50	N/A	N/A	F14

DIAMOND GEAR CO. LTD.
HOUSTON, TEXAS USA
PHONE: 713-590-0270, FAX: 713-590-0278