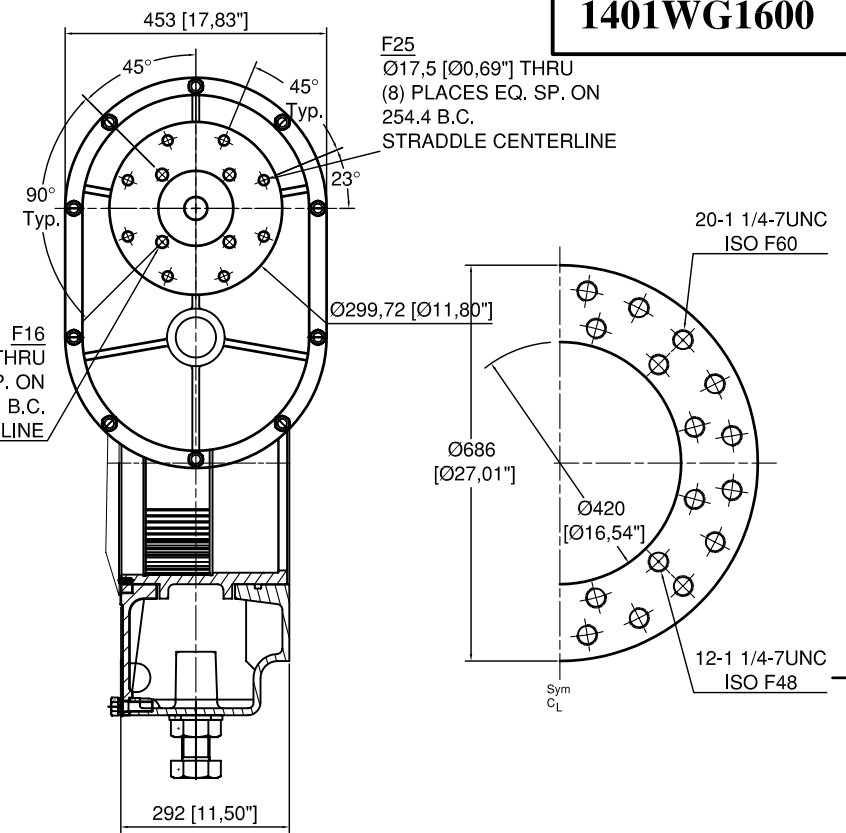
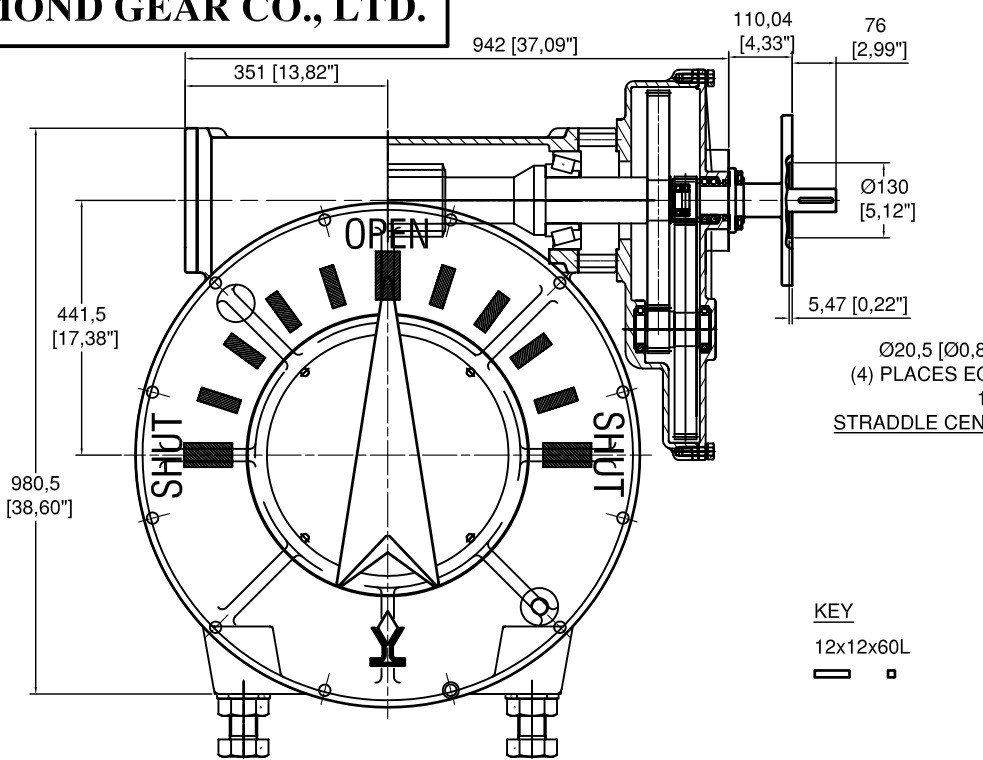
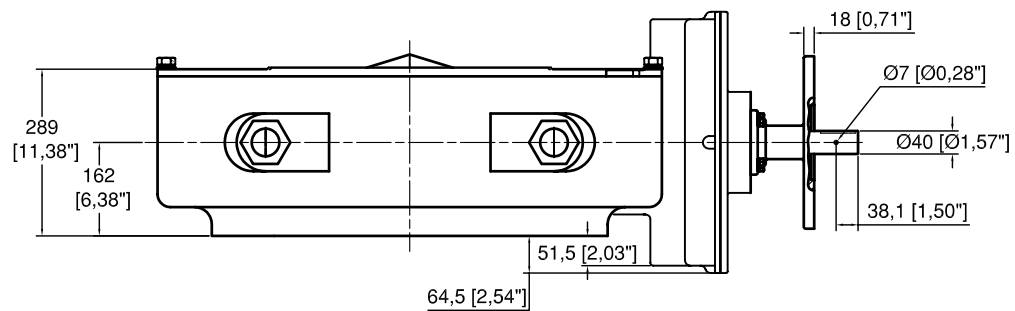


DIAMOND GEAR CO., LTD.

1401WG1600



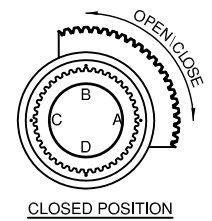
KEY
 12x12x60L



DIA.	RIM PULL AT MAX O/P TORQUE (Lbs.)
20"	215
24"	179
30"	143
36"	120
48"	90

MAX. OUTPUT TORQUE [IN.LB]	MAX. INPUT TORQUE [IN.LB]	RATIO	MECHANICAL ADVANTAGE	OUTPUT ANGULAR STROKE	TURN PER 90°	WEIGHT [LB]
1,401,580	2149	1600:1	652	±20°	400	2912

MAX. ROUND BORE [IN]	MAX. SQUARE BORE [IN]	MAX. MOUNTING STRADDLE C/L [IN]	MIN. MOUNTING STRADDLE C/L [IN]	PREFERRED MOUNTING STRADDLE C/L [IN]
12.50	8.75	24.50"	19"	FA48 & FA60



UNITS: MM [INCHES] **REV. A**
C921108A **07/30/07**

DIAMOND GEAR CO. LTD.
 HOUSTON, TEXAS USA
 PHONE: 713-590-0270, FAX: 713-590-0278