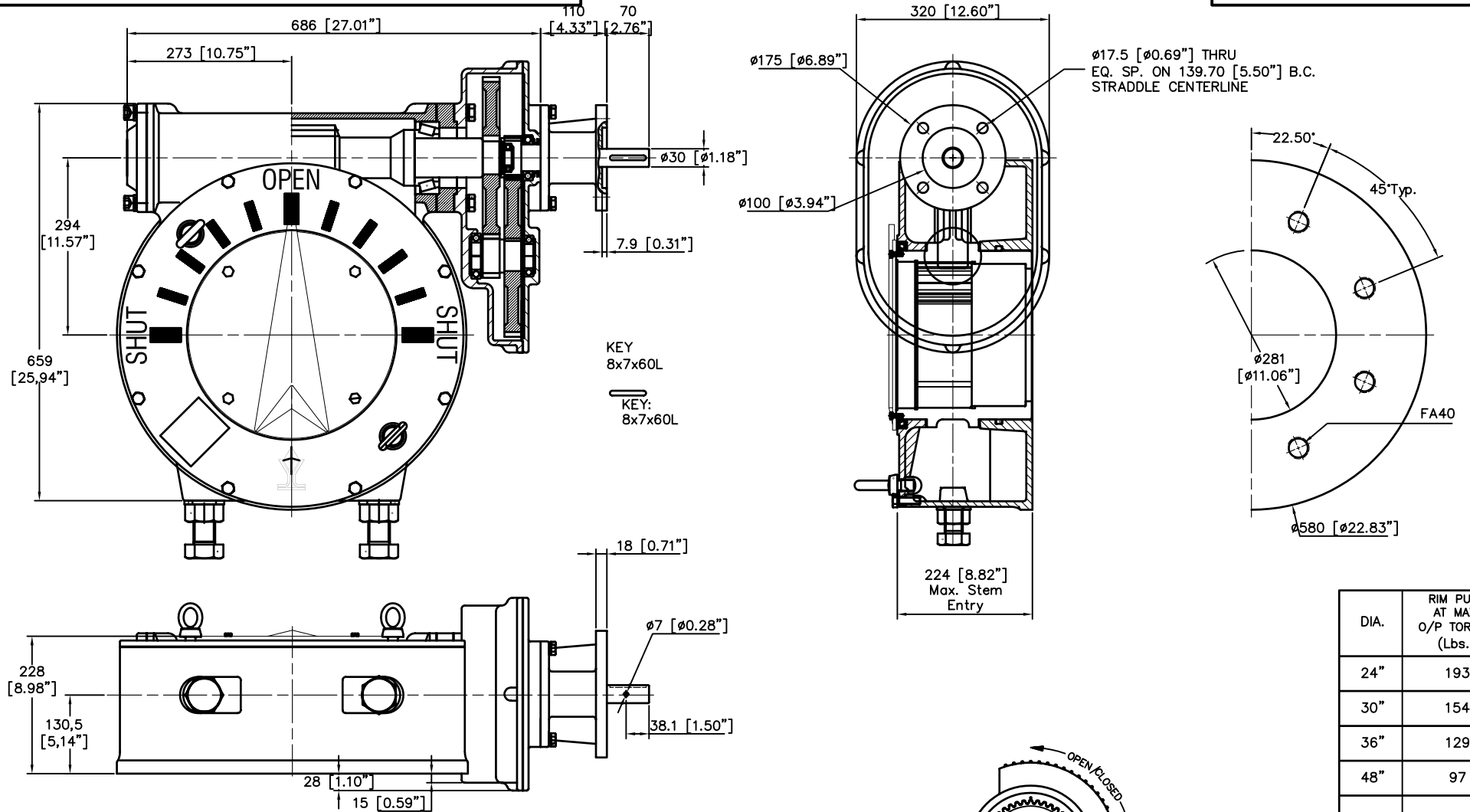


# DIAMOND GEAR CO., LTD.

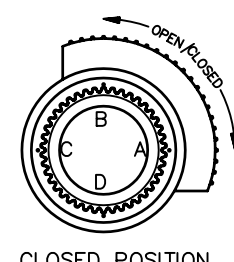
# 509WG610



DIA.	RIM PULL AT MAX. O/P TORQUE (Lbs.)
24"	193
30"	154
36"	129
48"	97

MAX. OUTPUT TORQUE [IN.LB]	MAX. INPUT TORQUE [IN.LB]	RATIO	MECHANICAL ADVANTAGE	OUTPUT ANGULAR STROKE	TURN PER 90°	WEIGHT [LB]
509,714	2309	610.5:1	220.7	±20°	152	784

MAX. ROUND BORE [IN]	MAX. SQUARE BORE [IN]	MAX. MOUNTING STRADDLE C/L [IN]	MIN. MOUNTING STRADDLE C/L [IN]	MAX. MOUNTING ON C/L [IN]	MIN. MOUNTING ON C/L [IN]	PREFERRED MOUNTING STRADDLE C/L [IN]
7.87	5.5625	20"	12.50	N/A	N/A	FA40



**C921101A 03/06/07**


**DIAMOND GEAR CO. LTD.**  
 HOUSTON, TEXAS, USA  
 PHONE: 713-590-0270, FAX: 713-590-0278
 