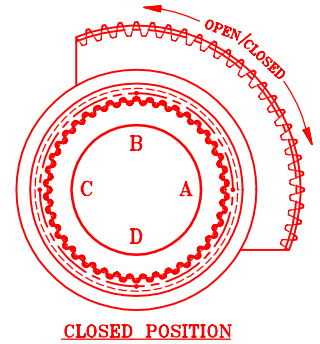
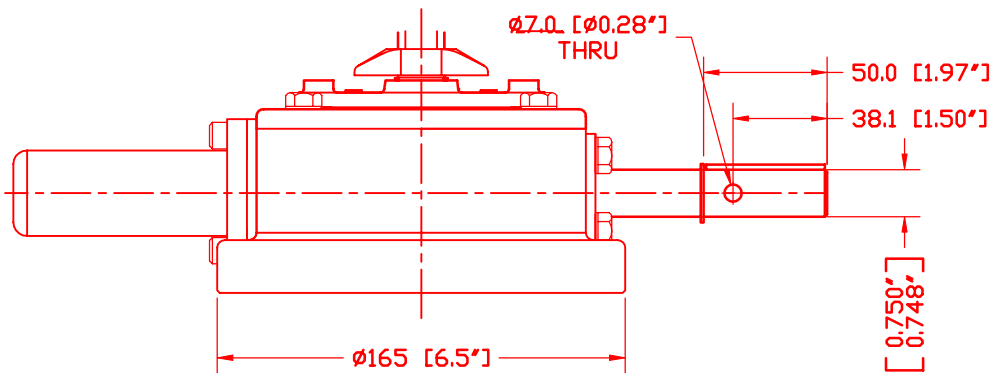
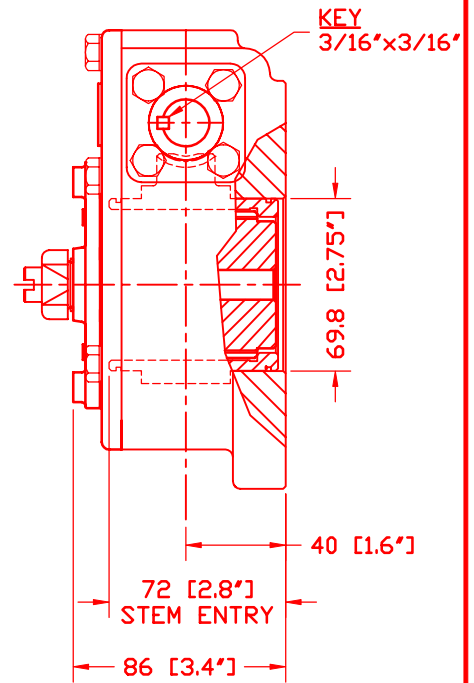
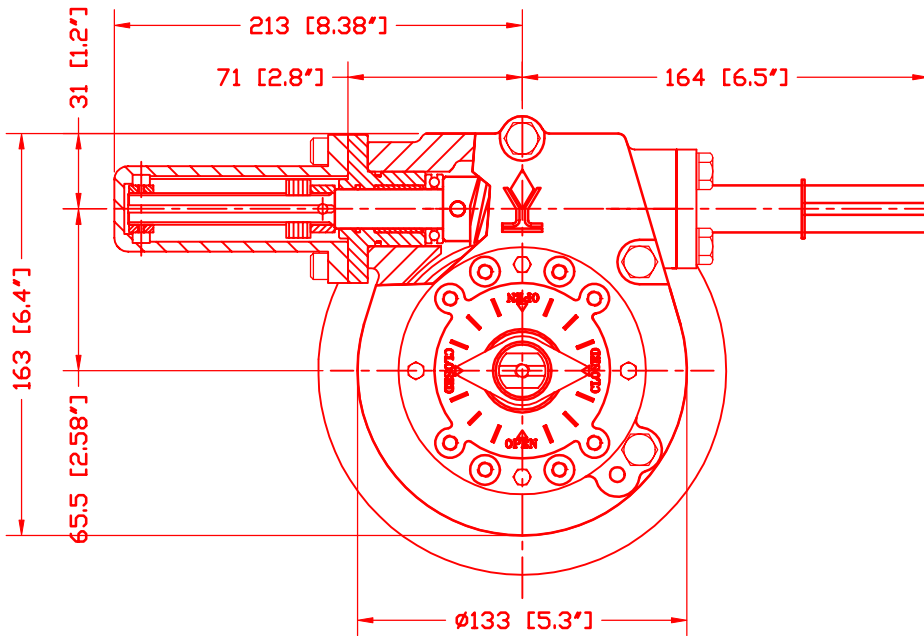


# DIAMOND GEAR CO., LTD.

# 8WGFT50



MAX. OUTPUT TORQUE [IN.LB]	MAX. INPUT TORQUE [IN.LB]	RATIO	MECHANICAL ADVANTAGE	OUTPUT ANGULAR STROKE	TURN PER 90°	WEIGHT [LB]
8,000	640	50:1	12.5	±5°	12.5	20

MAX. ROUND BORE [IN]	MAX. SQUARE BORE [IN]	MAX. MOUNTING STRADDLE C/L [IN]	MIN. MOUNTING STRADDLE C/L [IN]	MAX. MOUNTING ON C/L [IN]	MIN. MOUNTING ON C/L [IN]	PREFERRED MOUNTING STRADDLE C/L [IN]
ø1.625 KEY:3/8x1/4	1.25	ø5.13	ø3.70	ø5.13	ø3.70	FA10 & FA12

### HANDWHEEL DATA

Ø	RIM PULL AT MAX. OUTPUT TORQUE
6"	213 LBS
8"	160 LBS
10"	128 LBS
12"	106 LBS
14"	92 LBS
16"	80 LBS



**DIAMOND GEAR CO. LTD.**  
HOUSTON, TEXAS, USA

PHONE: 713-590-0270, FAX: 713-590-0278



C921035A

REV.0

02-18-02