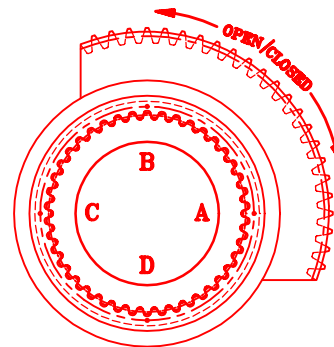
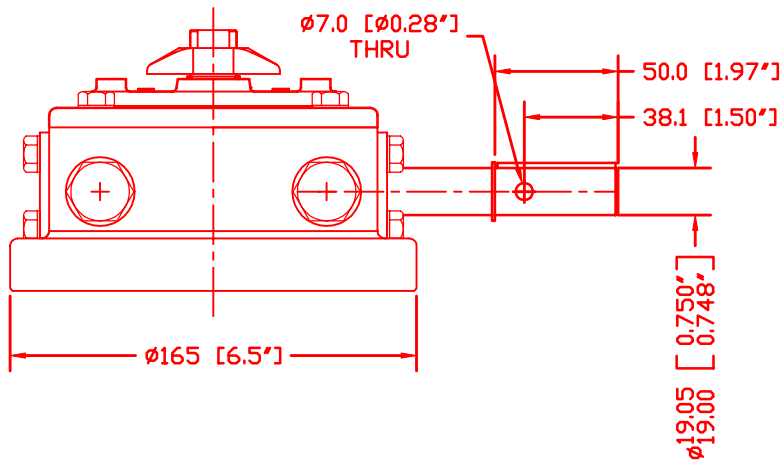
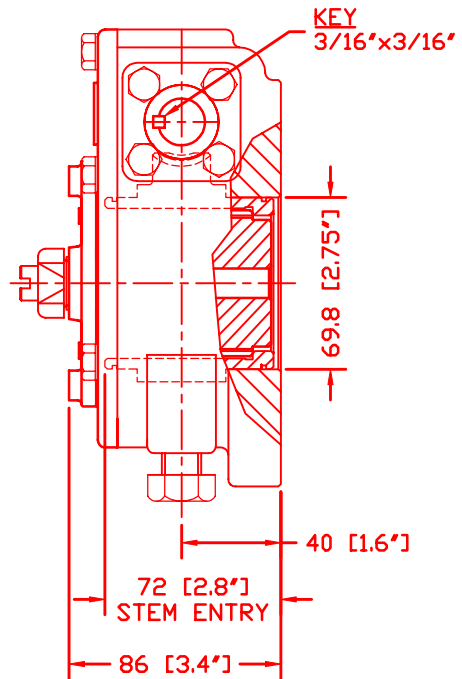
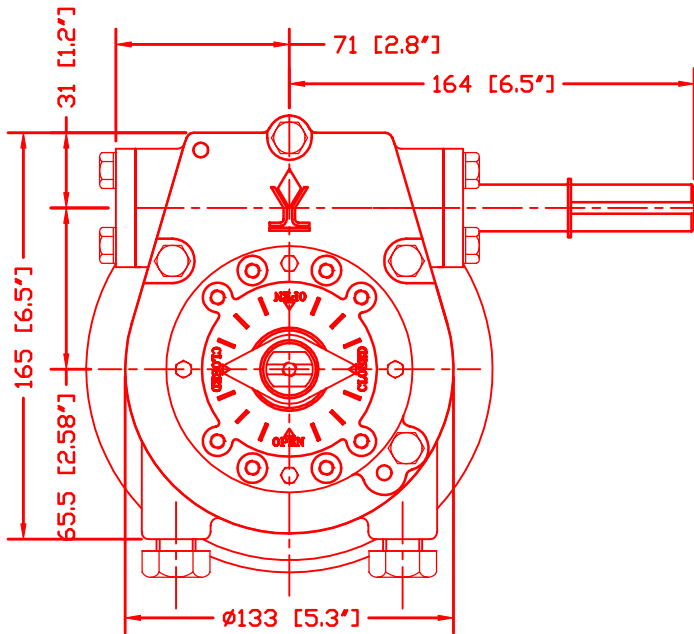


DIAMOND GEAR CO., LTD.

8WG50



CLOSED POSITION

MAX. OUTPUT TORQUE [IN.LB]	MAX. INPUT TORQUE [IN.LB]	RATIO	MECHANICAL ADVANTAGE	OUTPUT ANGULAR STROKE	TURN PER 90°	WEIGHT [LB]
8,000	640	50:1	12.5	±5°	12.5	20

MAX. ROUND BORE [IN]	MAX. SQUARE BORE [IN]	MAX. MOUNTING STRADDLE C/L [IN]	MIN. MOUNTING STRADDLE C/L [IN]	MAX. MOUNTING ON C/L [IN]	MIN. MOUNTING ON C/L [IN]	PREFERRED MOUNTING STRADDLE C/L [IN]
Ø1.625 KEY:3/8x1/4	1.25	Ø5.13	Ø3.70	Ø5.13	Ø3.70	FA10 & FA12

HANDWHEEL DATA

Ø	RIM PULL AT MAX. OUTPUT TORQUE
6"	213 LBS
8"	160 LBS
10"	128 LBS
12"	106 LBS
14"	92 LBS
16"	80 LBS



DIAMOND GEAR CO. LTD.
HOUSTON, TEXAS, USA

PHONE: 713-590-0270, FAX: 713-590-0278



C400014A

REV.A

06-16-00