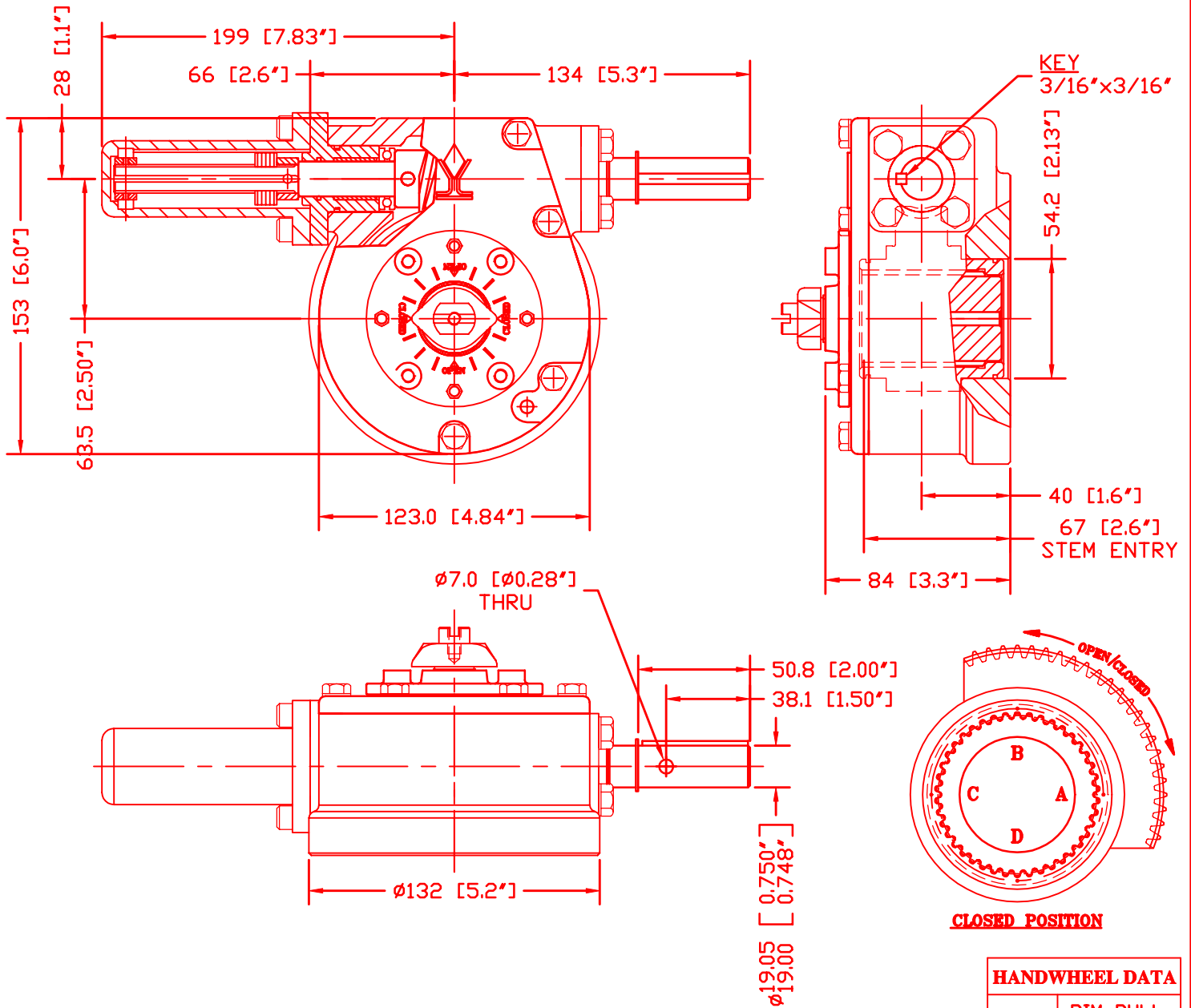


# DIAMOND GEAR CO., LTD.

# 5WGFT48



MAX. OUTPUT TORQUE [IN.LB]	MAX. INPUT TORQUE [IN.LB]	RATIO	MECHANICAL ADVANTAGE	OUTPUT ANGULAR STROKE	TURN PER 90°	WEIGHT [LB]
5,000	400	48:1	12.5	±5°	12.0	15

### HANDWHEEL DATA

Ø	RIM PULL AT MAX. OUTPUT TORQUE
6"	134 LBS
8"	100 LBS
10"	80 LBS
12"	67 LBS
14"	57 LBS
16"	50 LBS

MAX. ROUND BORE [IN]	MAX. SQUARE BORE [IN]	MAX. MOUNTING STRADDLE C/L [IN]	MIN. MOUNTING STRADDLE C/L [IN]	MAX. MOUNTING ON C/L [IN]	MIN. MOUNTING ON C/L [IN]	PREFERRED MOUNTING STRADDLE C/L [IN]
Ø1.125 KEY: 3/16" x 1/8	.937	Ø4.25	Ø2.75	Ø4.25	Ø2.75	FA07 & FA10



**DIAMOND GEAR CO. LTD.**  
HOUSTON, TEXAS, USA

PHONE: 713-590-0270, FAX: 713-590-0278



C921034A

REV.0

02-18-02