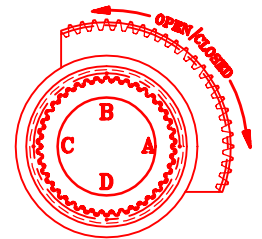
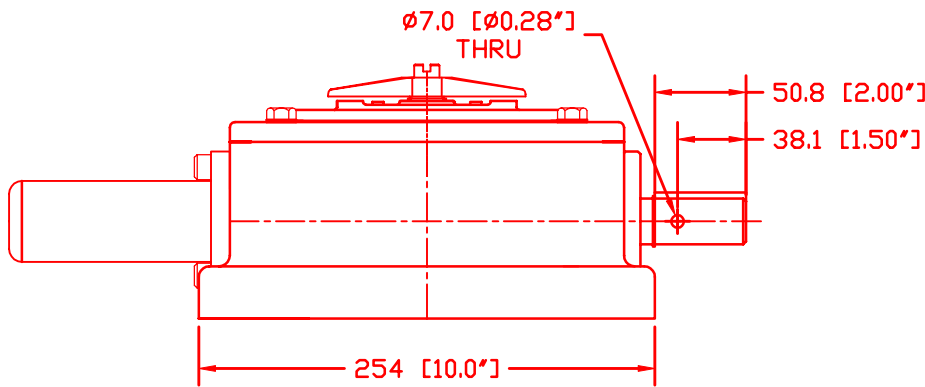
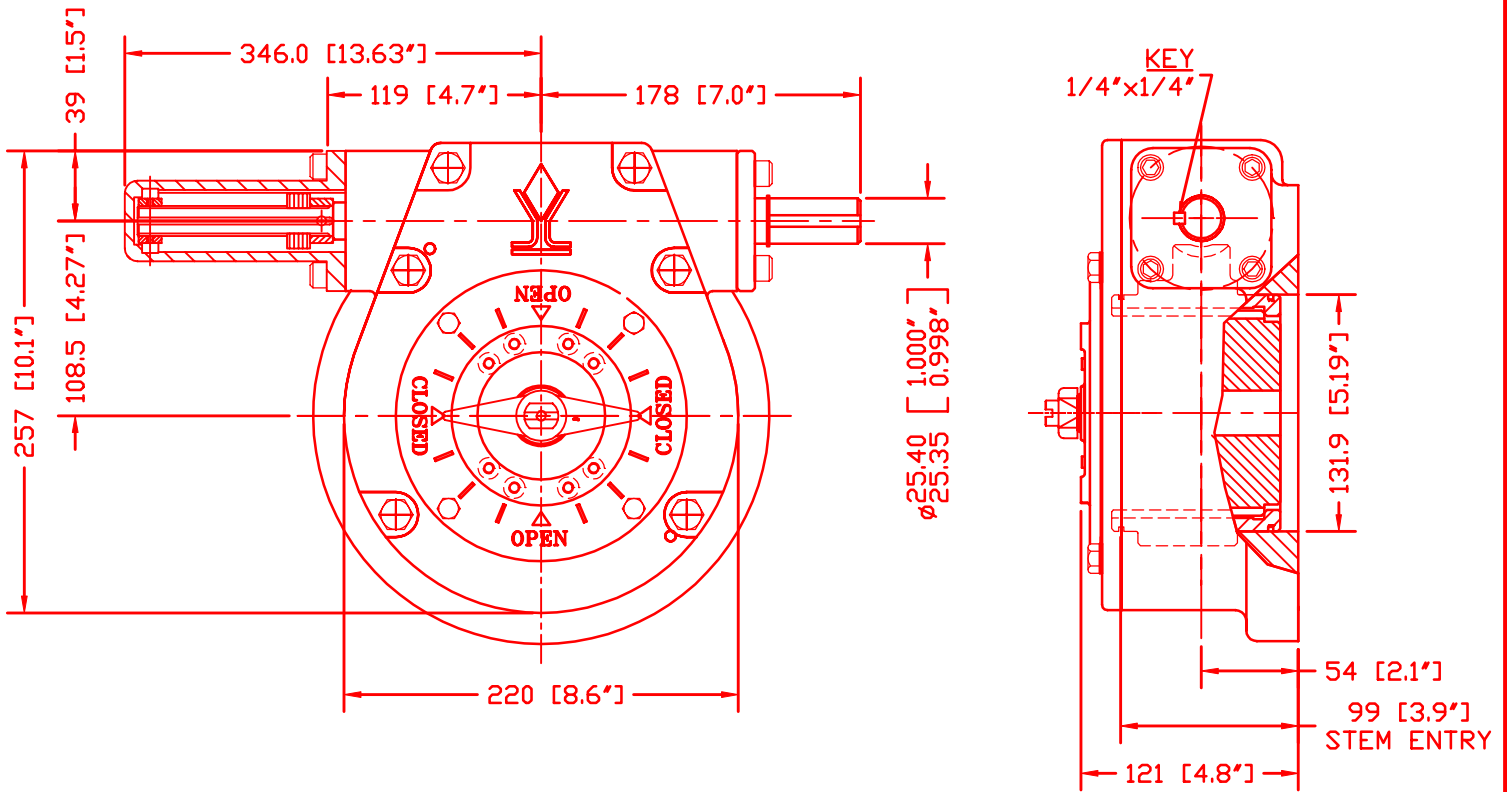


DIAMOND GEAR CO., LTD.

43WGFT72



CLOSED POSITION

HANDWHEEL DATA

Ø	RIM PULL AT MAX. OUTPUT TORQUE
12"	398 LBS
14"	341 LBS
16"	299 LBS
18"	265 LBS
20"	239 LBS
24"	199 LBS
30"	159 LBS
36"	133 LBS

MAX. OUTPUT TORQUE [IN.LB]	MAX. INPUT TORQUE [IN.LB]	RATIO	MECHANICAL ADVANTAGE	OUTPUT ANGULAR STROKE	TURN PER 90°	WEIGHT [LB]
43,000	2388	72:1	18	±5°	18	80

MAX. ROUND BORE [IN]	MAX. SQUARE BORE [IN]	MAX. MOUNTING STRADDLE C/L [IN]	MIN. MOUNTING STRADDLE C/L [IN]	MAX. MOUNTING ON C/L [IN]	MIN. MOUNTING ON C/L [IN]	PREFERRED MOUNTING STRADDLE C/L [IN]
Ø3.25 KEY: 3/4x1/2	2.50	Ø8.50	Ø6.25	Ø8.50	Ø6.25	FA16 & FA19



DIAMOND GEAR CO. LTD.
HOUSTON, TEXAS, USA

PHONE: 713-590-0270, FAX: 713-590-0278



C921039A

REV.0

03-08-01