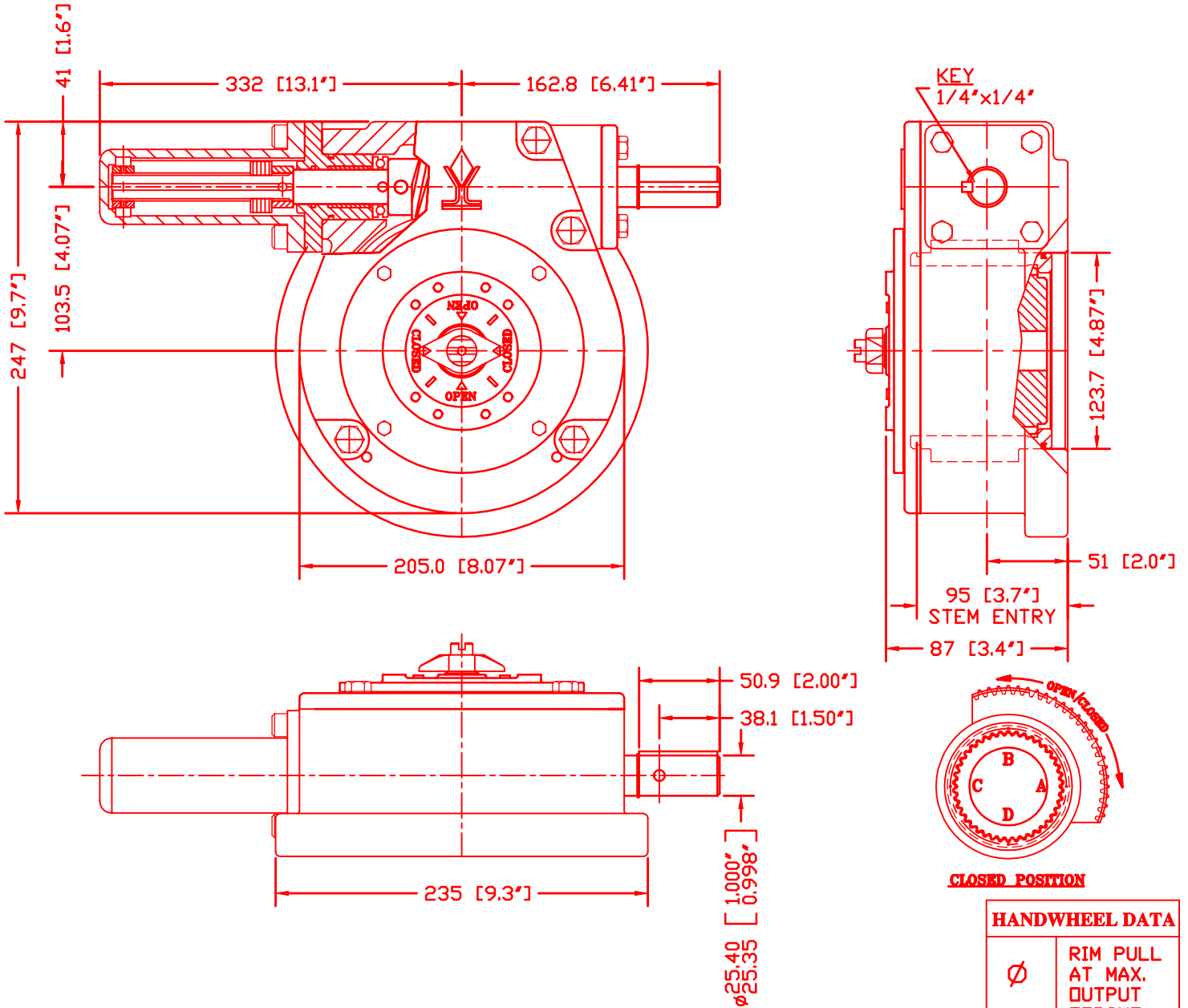


DIAMOND GEAR CO., LTD.

26WGFT68



MAX. OUTPUT TORQUE [IN.LB]	MAX. INPUT TORQUE [IN.LB]	RATIO	MECHANICAL ADVANTAGE	OUTPUT ANGULAR STROKE	TURN PER 90°	WEIGHT [LB]
26,000	1,365	68:1	19	±5°	17	61

MAX. ROUND BORE [IN]	MAX. SQUARE BORE [IN]	MAX. MOUNTING STRADDLE C/L [IN]	MIN. MOUNTING STRADDLE C/L [IN]	MAX. MOUNTING ON C/L [IN]	MIN. MOUNTING ON C/L [IN]	PREFERRED MOUNTING STRADDLE C/L [IN]
ø2.875 KEY:1/2x3/4	2.31	ø8.00	6.00	ø8.00	6.00	FA16 & FA19

HANDWHEEL DATA

Ø	RIM PULL AT MAX. OUTPUT TORQUE
12"	228 LBS
14"	195 LBS
16"	171 LBS
18"	152 LBS
20"	137 LBS
24"	114 LBS
30"	91 LBS
36"	76 LBS



DIAMOND GEAR CO. LTD.
HOUSTON, TEXAS, USA

PHONE: 713-590-0270, FAX: 713-590-0278



C921038A

REV.0

02-18-02