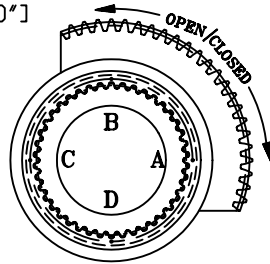
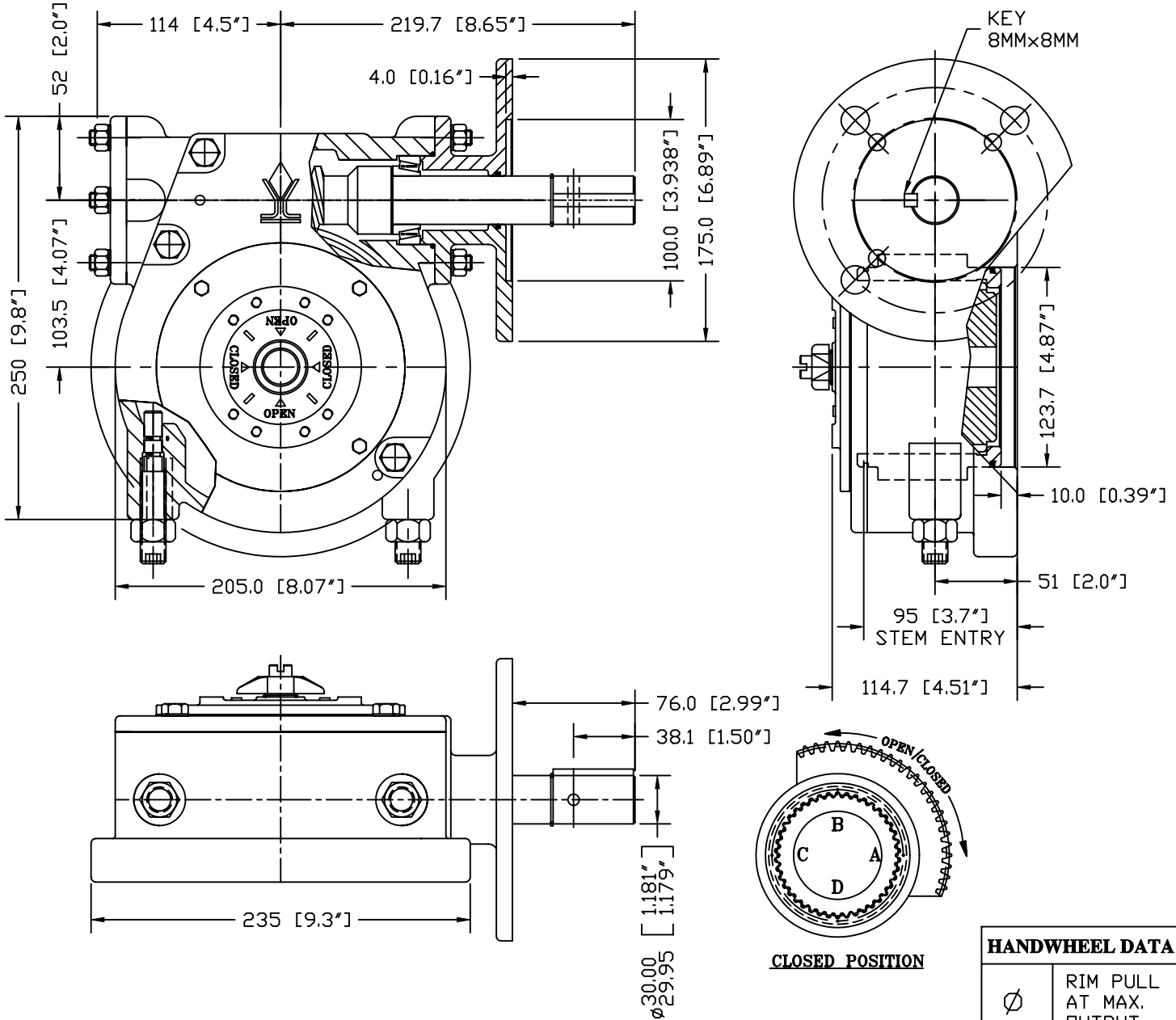


# DIAMOND GEAR CO., LTD.

# 26WG68-02



**CLOSED POSITION**

**HANDWHEEL DATA**

Ø	RIM PULL AT MAX. OUTPUT TORQUE
12"	228 LBS
14"	195 LBS
16"	171 LBS
18"	152 LBS
20"	137 LBS
24"	114 LBS
30"	91 LBS
36"	76 LBS

MAX. OUTPUT TORQUE [IN.LB]	MAX. INPUT TORQUE [IN.LB]	RATIO	MECHANICAL ADVANTAGE	OUTPUT ANGULAR STROKE	TURN PER 90°	WEIGHT [LB]	PREFERRED ACTUATOR MOUNTING STRADDLE C/L [IN]
26,000	1,365	68:1	19	±5°	17	68	FA10 & FA14

MAX. ROUND BORE [IN]	MAX. SQUARE BORE [IN]	MAX. MOUNTING STRADDLE C/L [IN]	MIN. MOUNTING STRADDLE C/L [IN]	MAX. MOUNTING ØN C/L [IN]	MIN. MOUNTING ØN C/L [IN]	PREFERRED VALVE MOUNTING STRADDLE C/L [IN]
Ø2.875 KEY:1/2x3/4	2.31	Ø8.00	6.00	Ø8.00	6.00	FA16 & FA19



**DIAMOND GEAR CO. LTD.**  
HOUSTON, TEXAS, USA

PHONE: 713-590-0270, FAX: 713-590-0278



C400101A

REV.A

01/27/04