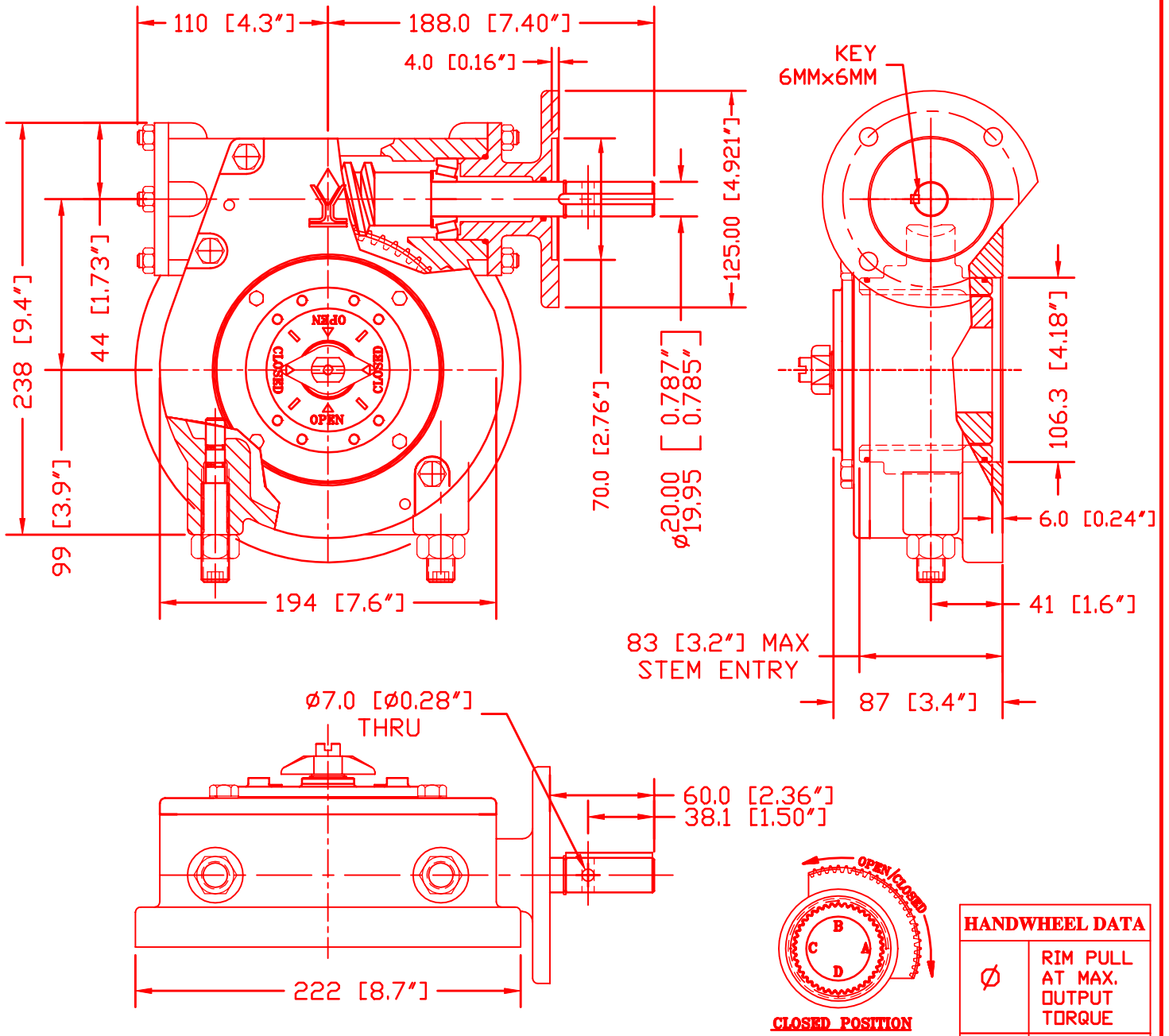


DIAMOND GEAR CO., LTD.

18WG64-02



HANDWHEEL DATA	
ϕ	RIM PULL AT MAX. OUTPUT TORQUE
12"	167 LBS
14"	143 LBS
16"	125 LBS
18"	111 LBS
20"	100 LBS
24"	83 LBS
30"	67 LBS

MAX. OUTPUT TORQUE [IN.LB]	MAX. INPUT TORQUE [IN.LB]	RATIO	MECHANICAL ADVANTAGE	OUTPUT ANGULAR STROKE	TURN PER 90°	WEIGHT [LB]	PREFERRED ACTUATOR MOUNTING STRADDLE C/L [IN]
18,000	1,000	64:1	18	$\pm 5^\circ$	16	43	FA10

MAX. ROUND BORE [IN]	MAX. SQUARE BORE [IN]	MAX. MOUNTING STRADDLE C/L [IN]	MIN. MOUNTING STRADDLE C/L [IN]	MAX. MOUNTING ON C/L [IN]	MIN. MOUNTING ON C/L [IN]	PREFERRED VALVE MOUNTING STRADDLE C/L [IN]
$\phi 2.50$ KEY: 5/8x7/16	1.80	$\phi 7.50$	$\phi 5.13$	$\phi 7.50$	$\phi 5.13$	FA16 & FA19



DIAMOND GEAR CO. LTD.
HOUSTON, TEXAS, USA

PHONE: 713-590-0270, FAX: 713-590-0278



C400102A

REV.0

01/28/04