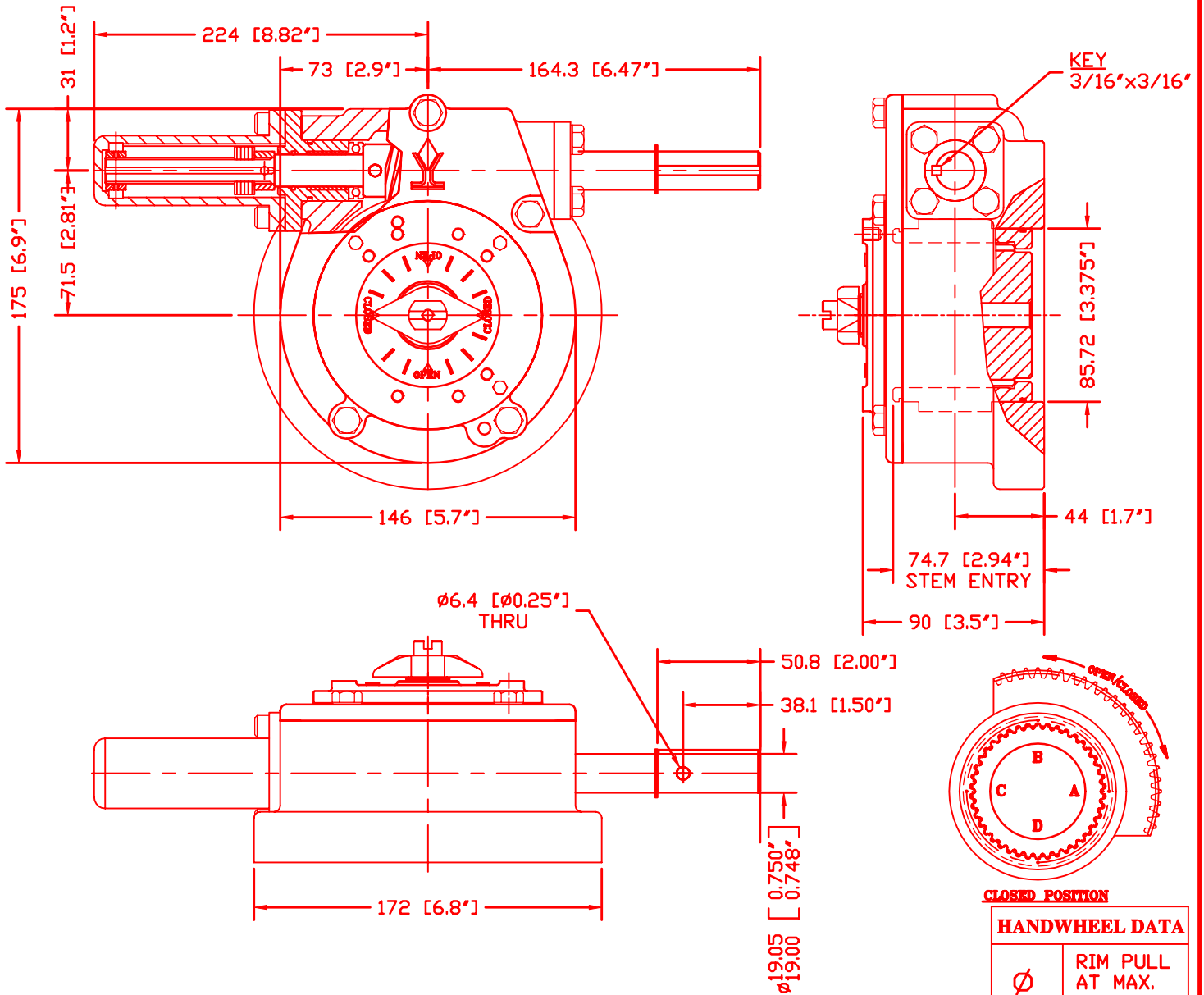


DIAMOND GEAR CO., LTD.

13WGFT56



MAX. OUTPUT TORQUE [IN.LB]	MAX. INPUT TORQUE [IN.LB]	RATIO	MECHANICAL ADVANTAGE	OUTPUT ANGULAR STROKE	TURN PER 90°	WEIGHT [LB]
13,000	860	56:1	15.1	±5°	14	26

MAX. ROUND BORE [IN]	MAX. SQUARE BORE [IN]	MAX. MOUNTING STRADDLE C/L [IN]	MIN. MOUNTING STRADDLE C/L [IN]	MAX. MOUNTING ON C/L [IN]	MIN. MOUNTING ON C/L [IN]	PREFERRED MOUNTING STRADDLE C/L [IN]
Ø1.875 KEY 1/2 x 3/8	1.32	Ø5.50	Ø4.50	Ø5.50	Ø4.50	FA12 & FA14

CLOSED POSITION

HANDWHEEL DATA	
Ø	RIM PULL AT MAX. OUTPUT TORQUE
8"	215 LBS
10"	172 LBS
12"	143 LBS
14"	123 LBS
16"	108 LBS
18"	96 LBS
20"	86 LBS
24"	72 LBS



DIAMOND GEAR CO. LTD.
HOUSTON, TEXAS, USA

PHONE: 713-590-0270, FAX: 713-590-0278



C921036A

REV.0

02-18-02