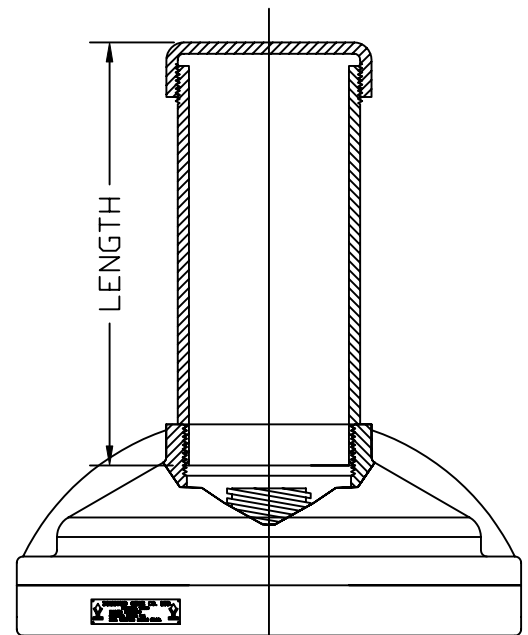


DIAMOND GEAR CO., LTD.

PLASTIC STEM PROTECTOR

NPT THREAD SIZE	NOMINAL SIZE (O.D) [IN]	MAXIMUM STEM DIAMETER [IN]	LENGTH [IN]
1.5" NPT	1.5 (1.900)	1.56	12
2.5" NPT	2.5 (2.875)	2.43	13
2.5" NPT	2.5 (2.875)	2.43	16
2.5" NPT	2.5 (2.875)	2.43	18
3" NPT	3 (3.500)	3.00	16
3" NPT	3 (3.500)	3.00	25
4" NPT	4 (4.500)	4.00	17
4" NPT	4 (4.500)	4.00	25
4" NPT	4 (4.500)	4.00	37
5" NPT	5 (5.563)	5.00	21
5" NPT	5 (5.563)	6.00	38
6" NPT	6 (6.625)	6.00	30
6" NPT	6 (6.625)	6.00	48
6" NPT	6 (6.625)	6.00	50



DIAMOND GEAR CO. LTD.
HOUSTON, TEXAS, USA
PHONE: 713-590-0270, FAX: 713-590-0278



C400043A

REV.0

01-19-01