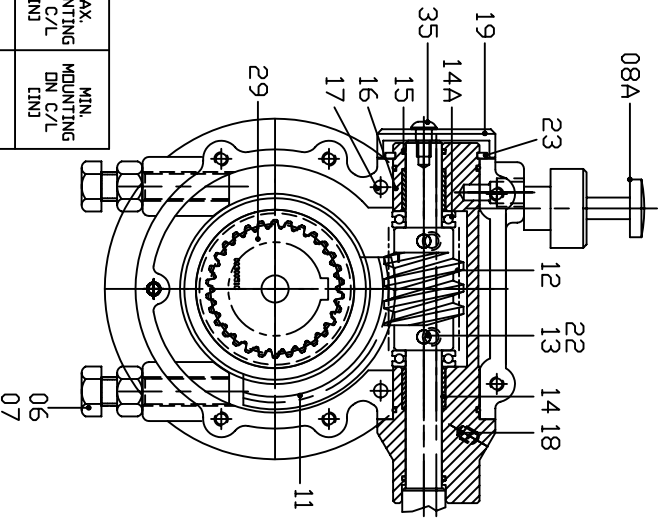
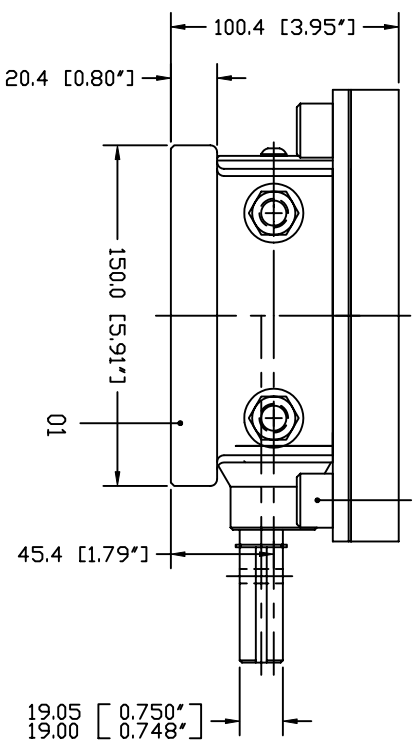
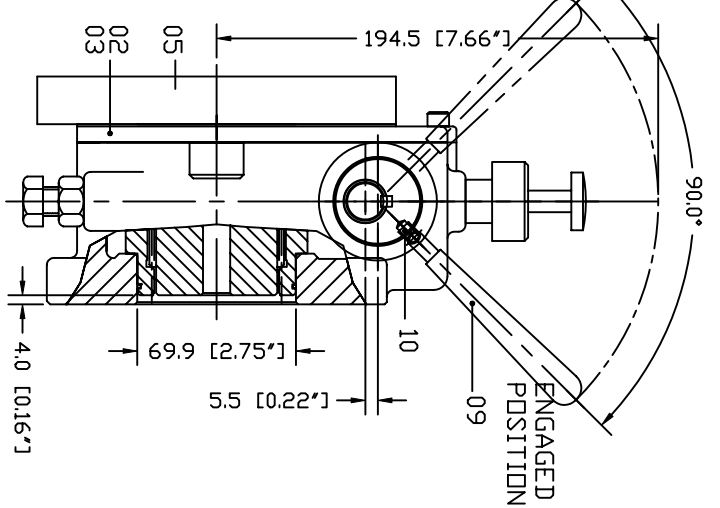
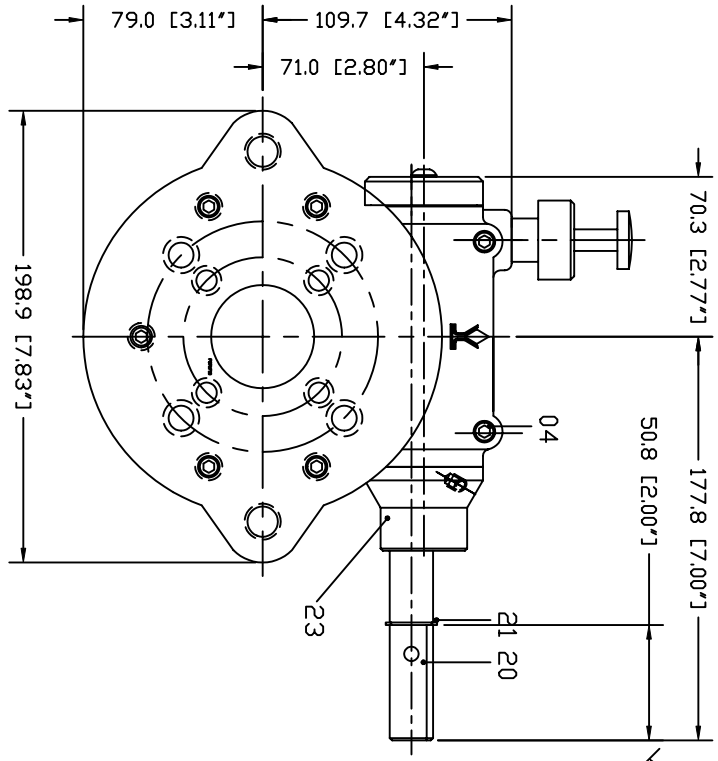


SUPERSEDED BY	REVISION	SUPERSEDED BY	DATE
LET ZONE	CON	DR. BY	CHK. BY
		APR. BY	



MAX. OUTPUT TORQUE [IN.LB]	MAX. INPUT TORQUE [IN.LB]	RATIO	OUTPUT ANGULAR STROKE	TURN PER 90°	WEIGHT [LB]	MAX. ROUND BORE [IN]	MAX. SQUARE BORE [IN]	MAX. MOUNTING STRADDLE C/L [IN]	MIN. MOUNTING STRADDLE [IN]	MAX. MOUNTING DN C/L [IN]	MIN. MOUNTING DN C/L [IN]
8,000	640	50:1	±5°	12.5	20	Ø1.625"	1.25"	Ø5.13"	Ø5.13"	Ø5.13"	Ø5.13"

ITEM	QTY	PART NUMBER	MATERIAL	DESCRIPTION
35	1	STEEL	BUT.HD.CAP.	1/4-20UNCx1/2"LG
33	1	SPRING STEEL 1060-1090		SNAP RING TRUARC, 5/80-150 HEAVY DUTY X108 THK
32	1	Ø220049A	STAINLESS ST.	NAMEPLATE
29	1	Ø030052A	STEEL	SPLINE SLEEVER
23	1		STAINLESS ST.	SNAP RING TRUARC, 5100-75
22	2		STEEL	1/4" NPT PLUG
21	1		STEEL	KEY, 3x16x3/16x2" LG
20	1	Ø050027B	410H STAINLESS	SHAFT
19	1	Ø070042C	1045 STEEL	END CAP
18	1	Ø070042C	1045 STEEL	ECCENTRIC SLEEVE
17	2		STEEL	DOWEL PIN, Ø6.0x15mmLG
16	2		NITRILE	O-RING, 2-125, 75D
15	2		NITRILE	O-RING, 2-116, 75D
14A	2		STEEL	BEARING, THRUST, INA, EW-5/8"
14	2	Ø060027A	BRONZE	BEARING
13	2	80KSI HARDENED STEEL		DOWEL PIN, Ø6.0mmx25.5mm LG
12	1	Ø030013B	4140 STEEL	WORM
11	1	Ø031092C	DUCTILE IRON	WORM SEGMENT
10				
09	1	Ø300011B	STEEL	HANDLE
Ø8A	1	Ø300013B	ASSY	LOCK PIN ASSEMBLY
08	2		STEEL	SOCK HD CAP, 5/8-11UNCx1"LG
07	2		STEEL	HEX NUT 1/2-13UNC
06	2		STEEL	HHCS1/2-13UNCx2 1/4"LG
05	1	Ø120013B	STEEL	ADAPTER PLATE
04	7		STEEL	HHCS, 1/4-20UNCx5/8"LG
03	1	Ø0040080C	RUBBER	GASKET
02	1	Ø0020056D	CAST IRON	TOP COVER
01	1	Ø110109D	CAST IRON	MAIN HOUSING

BDW50
WORM GEAR

DIAMOND GEAR CO. LTD.
HOUSTON, TEXAS

0201022D

0

REV

DATE: JUN 11/24/03
DATE: JUN 11/24/03
DATE: DS 11/24/03