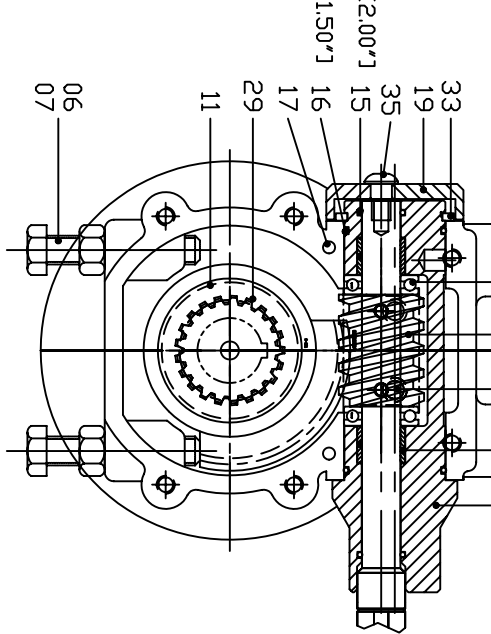
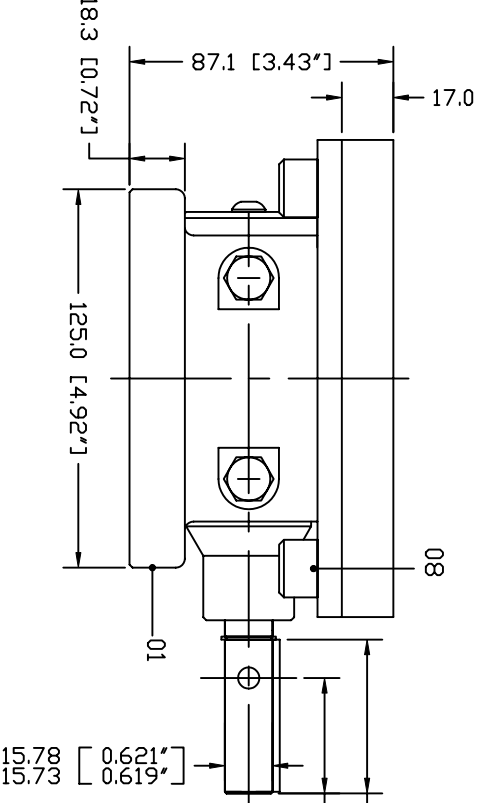
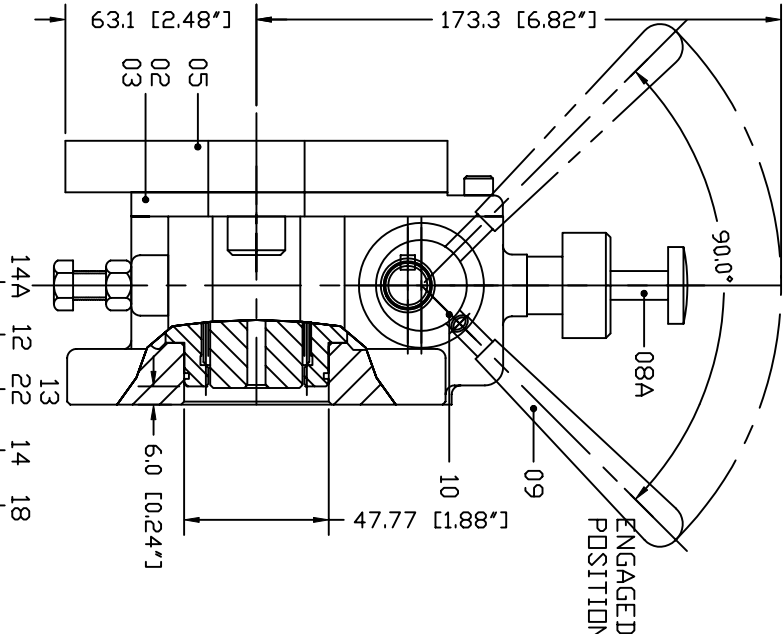
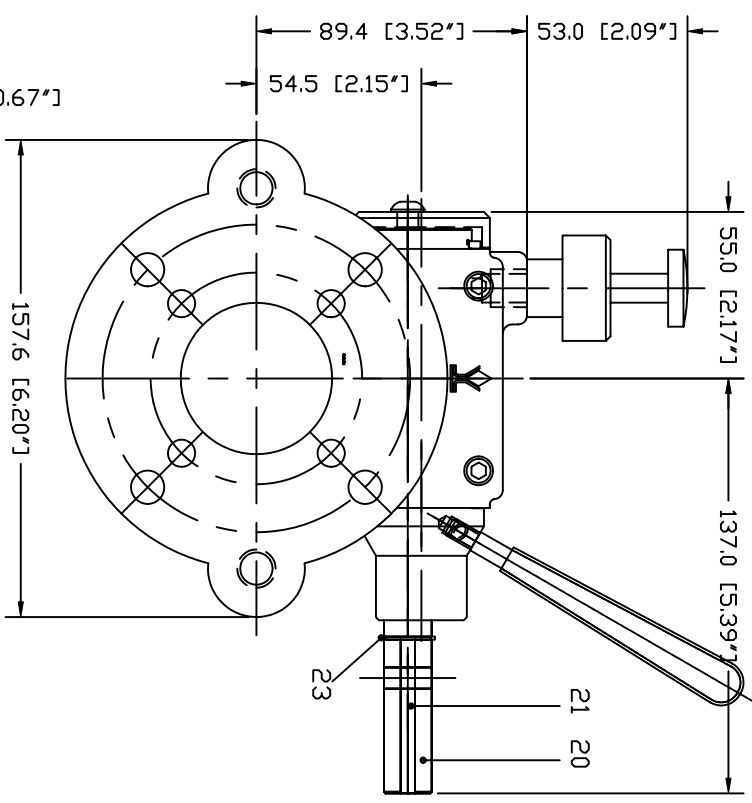


SUPERSEDED BY		SUPERSEDED BY	
LETZME	EON	REVISION	DATE
DR. BR	CH. BR	APR. BR	DATE



MAX. OUTPUT TORQUE [IN.LB]	MAX. INPUT TORQUE [IN.LB]	RATIO	OUTPUT ANGULAR STRIKE	TURN PER 90°	WEIGHT [LB]	MAX. ROUND BORE [IN]	MAX. SQUARE BORE [IN]	MAX. MOUNTING STRADDLE C/L [IN]	MIN. MOUNTING STRADDLE C/L [IN]	MAX. MOUNTING DN C/L [IN]	MIN. MOUNTING DN C/L [IN]
3,000	230	50:1	±5°	12.5		φ.875"	.75"	φ4.00"	φ4.00"	φ4.00"	φ4.00"
						KEY: 3/16"x1/8"					

TITLE	REV	DATE	DESCRIPTION
3DW50 WORM GEAR		JN 11/24/03	
		JN 11/24/03	
		DS 11/24/03	

NO.	QTY	PART NUMBER	MATERIAL	DESCRIPTION
35	1		STEEL	BUT.HD.CAP: 1/4-20UNCx1/2"LG
33	1	1060-1090	SPRING STEEL	SNAP RING TRUARC: 5160-131
32	1	0220050A	STAINLESS ST.	NAMEPLATE
29	1	0031019A	STEEL	HEAVY DUTY: X.0937THK
23	1		STAINLESS ST.	SPLINE SLEEVE
22	2		STEEL	SNAP RING TRUARC: 5100-62
21	1		STEEL	1/4" NPT PLUG
20	1	0050028B	4104 STAINLESS	KEY: 3x16x3/16x2" LG
19	1	0070045C	1045 STEEL	SHAFT
18	1	0070044C	1045 STEEL	END CAP
17	2		STEEL	ECCENTRIC SLEEVE
16	2		NITRILE	DOWEL PIN: φ4.0x14mmLG
15	2		NITRILE	O-RING: 2-121, 7SD
14A	2		STEEL	O-RING: 2-014, 7SD
14	2	0060021A	BRONZE	BEARING, THRUST, INA, EW-1/2"
13	2		STEEL	BEARING
12	1	0031020B	4140 STEEL	DOWEL PIN: φ4.0mmx21.0mm LG
11	1	0031094C	DUCTILE IRON	WORM
09	1	0300013B	STEEL	WORM SEGMENT
08A	1	0300013B	ASSY	HANDLE
08	2		STEEL	LOCK PIN ASSEMBLY
07	2		STEEL	SOCK HD: 1/2-13UNCx1"LG
06	2		STEEL	HEX NUT 3/8-16 UNC
05	1	0120014B	STEEL	HHCS 3/8-16UNCx2" LG
04	6		STEEL	ADAPTER PLATE
03	1	0040061C	RUBBER	HHCS: 1/4-20UNCx5/8"LG
02	1	0020057D	CAST IRON	GASKET
01	1	0110110D	CAST IRON	TOP COVER
01	1		CAST IRON	MAIN HOUSING

DIAMOND GEAR CO. LTD.
HOUSTON, TEXAS

0201023D
0