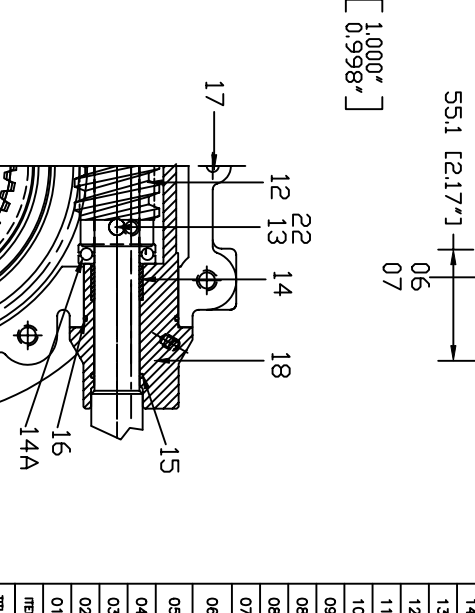
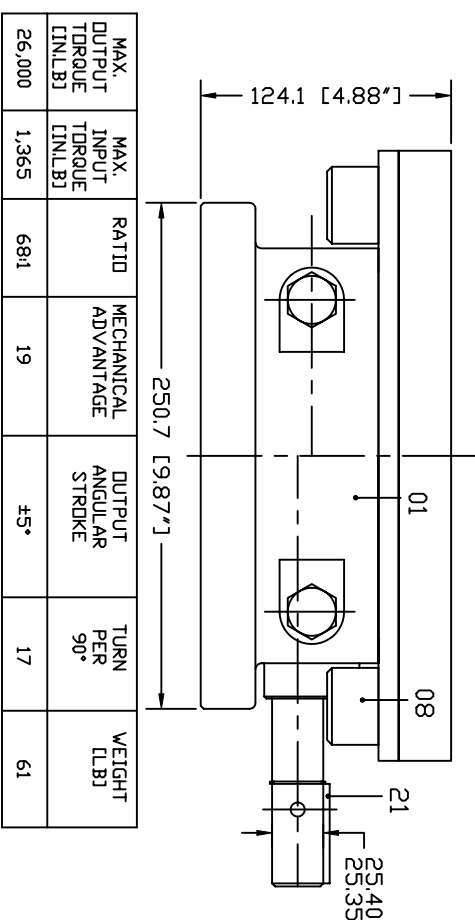
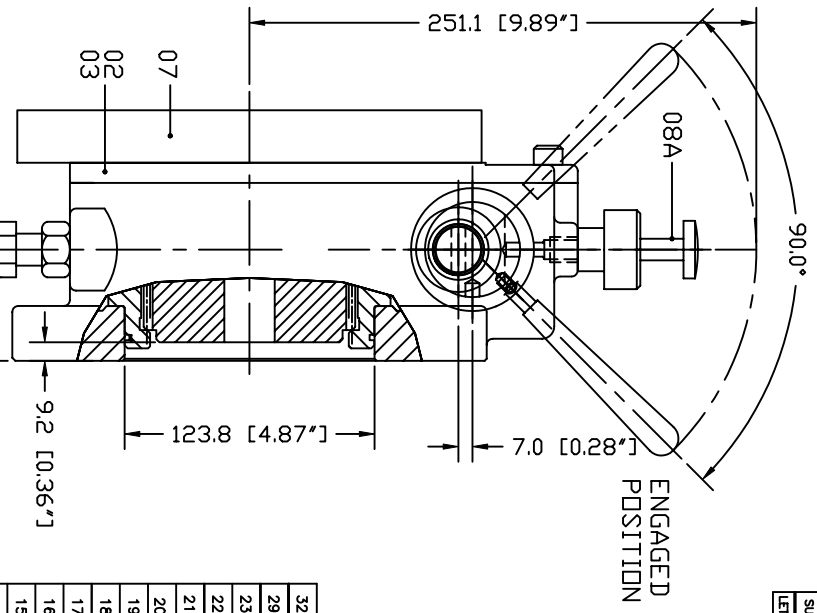
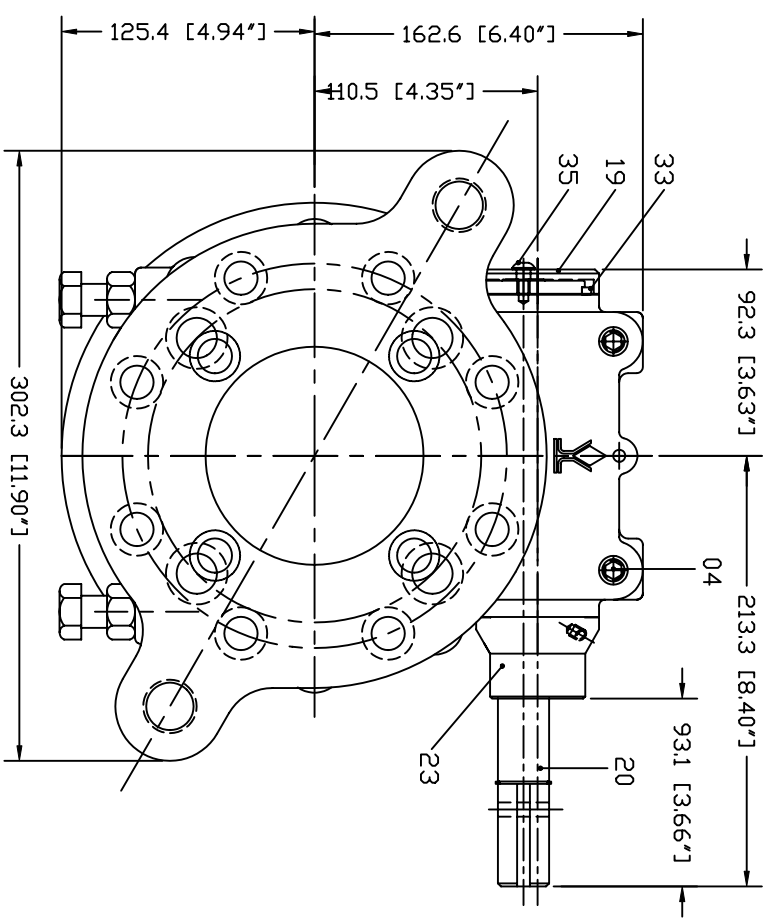


SUPERSEDED		SUPERSEDED BY	
LET ZONE	ECON	REVISION	DATE
DR. BY	CHK. BY	APP. BY	DATE



ITEM	QTY	PART NUMBER	MATERIAL	DESCRIPTION
32	1	0220052A	STAINLESS ST.	NAMEPLATE
29	1	0030076A	STEEL	SPLINE SLEEVE
23	1	SPRING STEEL 1060-1090		SNAP RING THRU HOLE 5/16-175 HEAVY DUTY X.109THK
22	2		STEEL	3/8" NPT PLUG
21	1		STEEL	KEY, 1/4"x1/4"x2" LG
20	1	0050029B	410H STAINLESS	SHAFT
19	1	0070048C	1045 STEEL	LEFT ECCENTRIC CAP
18	1	0070046C	1045 STEEL	RIGHT ECCENTRIC CAP
17	2		STEEL	DOWEL PIN, #6.0x16mm LG
16	2		NITRILE	O-RING, 2-131, 7SD
15	2		NITRILE	O-RING, 2-118, 7SD
14A	2		STEEL	BEARING, THRUST, INA, EW-7/8"
14	2	0060028A	BRONZE	BEARING
13	2	80KSI HARDEN STEEL		DOWEL PIN, #8.0mmx30.0mm LG
12	1	0031096B	4140 STEEL	WORM
11	1	0031097C	DUCTILE IRON	WORM SEGMENT
10	2			
09	1	0300011B	STEEL	HANDLE
08A	1	0300013B	ASSY	LOCK PIN ASSEMBLY
08	2		STEEL	HHGS, 1"-8UNX1.38"LG
07	2		STEEL	HEX NUT 5/8-11UNC
06	2		STEEL	HHGS, 5/8-11UNCx3 1/4"LG
05	1	0120016B	STEEL	ADAPTER PLATE
04	6		STEEL	HHGS, 3/8-18UNCx1"LG
03	1	0040063C	RUBBER	GASKET
02	1	0020059D	CAST IRON	TOP COVER
01	1	001012d	CAST IRON	MAIN HOUSING

MAX. OUTPUT TORQUE [IN.LB]	MAX. INPUT TORQUE [IN.LB]	RATIO	MECHANICAL ADVANTAGE	OUTPUT ANGULAR STROKE	TURN PER 90°	WEIGHT [LB]
26,000	1,365	68:1	19	±5°	17	61
MAX. ROUND BORE [IN]	MAX. SQUARE BORE [IN]	MAX. MOUNTING STRADDLE C/L [IN]	MIN. MOUNTING DN C/L [IN]	MAX. MOUNTING DN C/L [IN]	MIN. MOUNTING DN C/L [IN]	PREFERRED MOUNTING STRADDLE C/L [IN]
Ø2.875	2.31	Ø8.00	6.00	Ø8.00	6.00	FA16 & FA19

**DIAMOND GEAR CO. LTD.**  
HOUSTON, TEXAS

**26DW68**  
**WORM GEAR**

0201024D

0