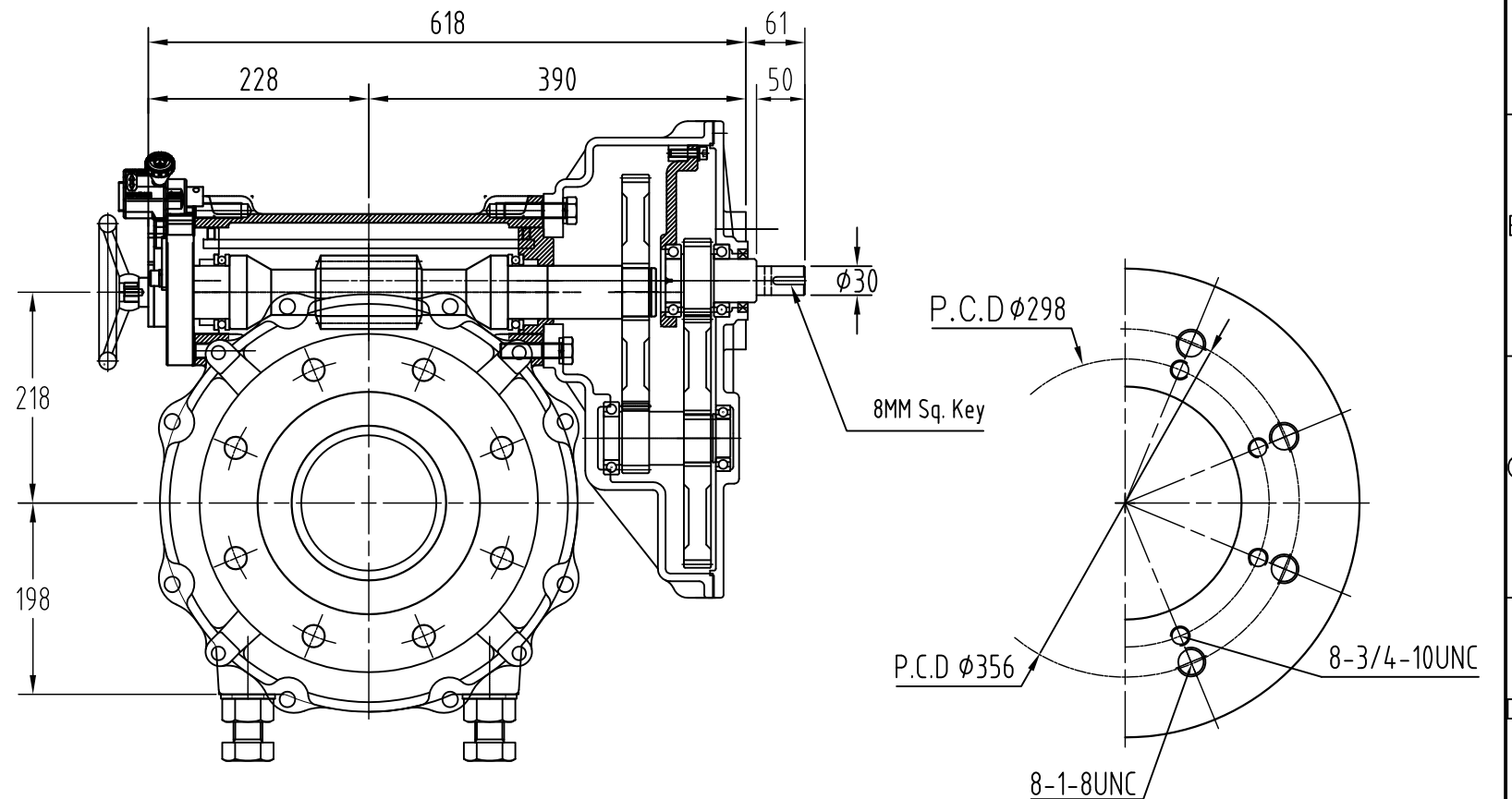
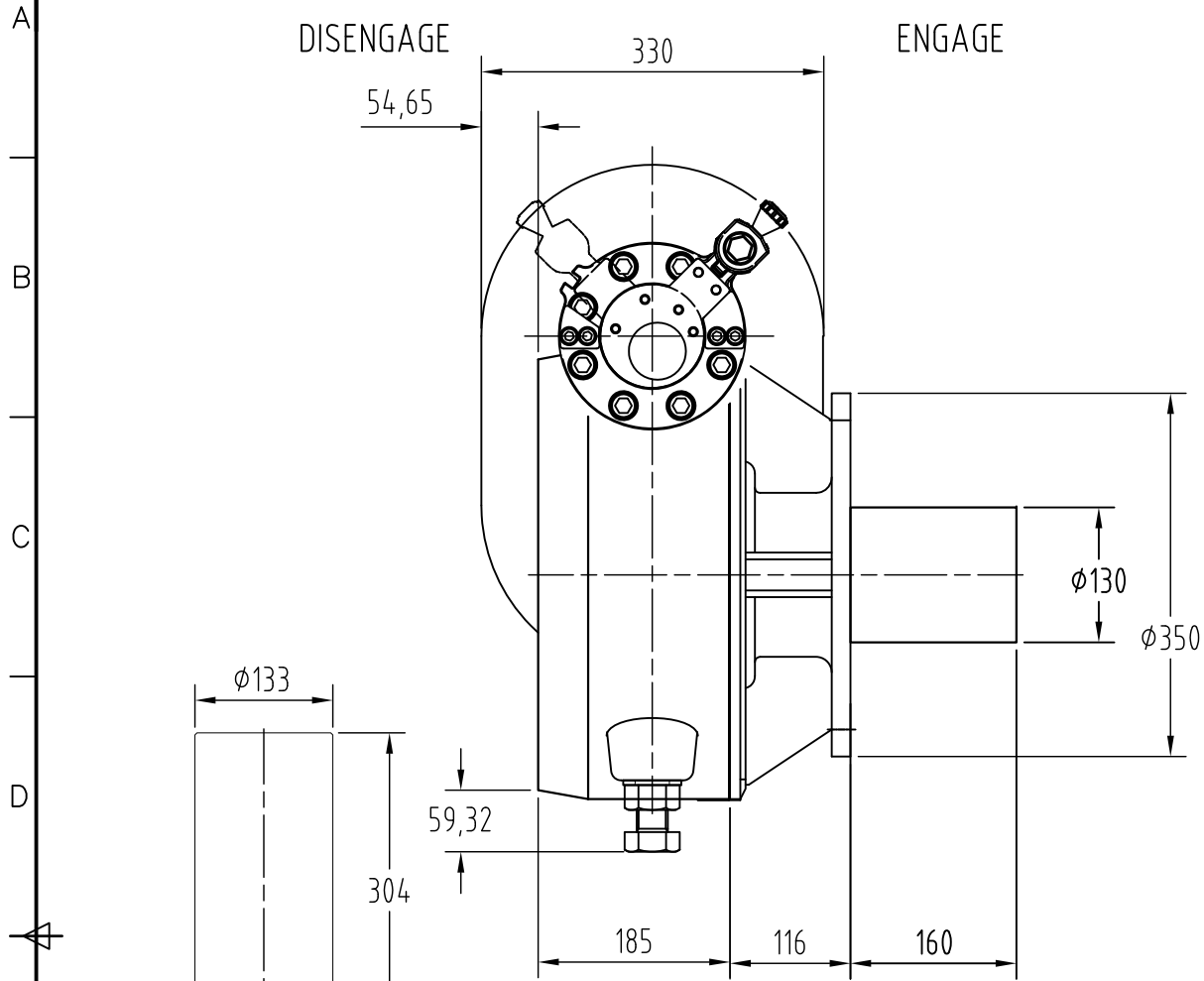


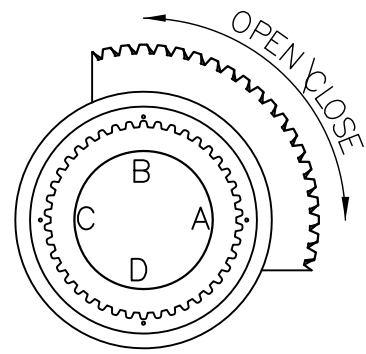
DISENGAGE

ENGAGE

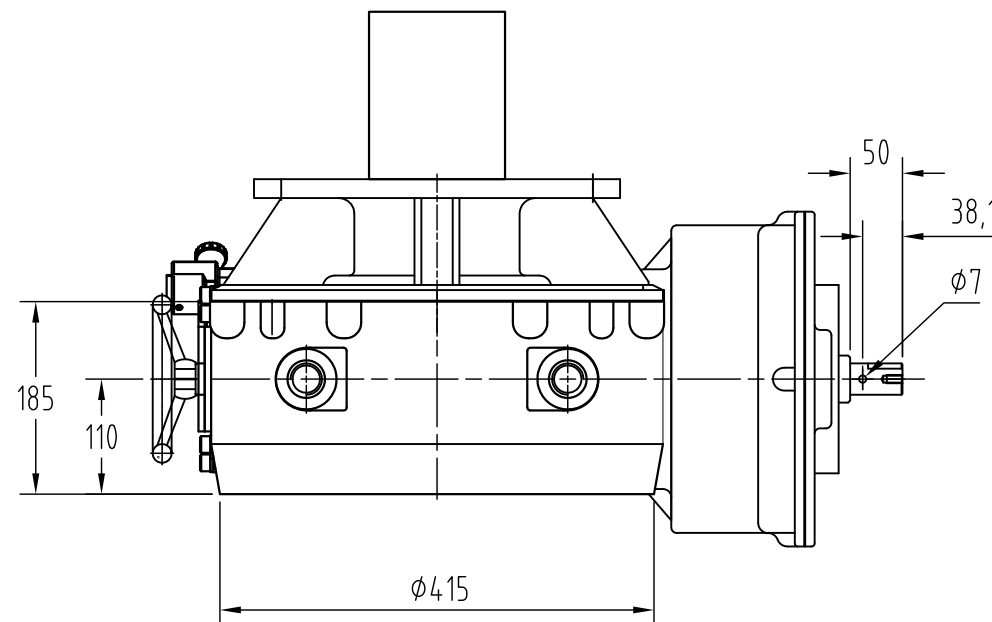


ACTUATOR VIEW

VALVE MOUNTING VIEW



CLOSED POSITION



MAX. OUTPUT TORQUE [IN.LB]	MAX. INPUT TORQUE IN.LB]	RATIO	MECHANICAL ADVANTAGE	OUTPUT ANGULAR STROKE	TURN PER 90°	WEIGHT [LBS]
228,750	1485	615:1	154	±10°	153.75	535

MAX. ROUND BORE [IN.]	MAX. SQUARE BORE [IN.]	VALVE MOUNTING	ACTUATOR MOUNTING
4.00" w/ 1" Sq.Key	4.75	F30/F35	F30

HANDWHEEL DATA	
DIA.	RIM PULL AT MAX. O/P TORQUE (Lbs.)
24"	124
30"	99
36"	83
48"	62

DRWG. NO. 0201047D DATE 08/06/10

DIAMOND GEAR COMPANY, LTD
 HOUSTON, TEXAS U.S.A.
 PHONE: 713-590-0270, FAX: 713-590-0278