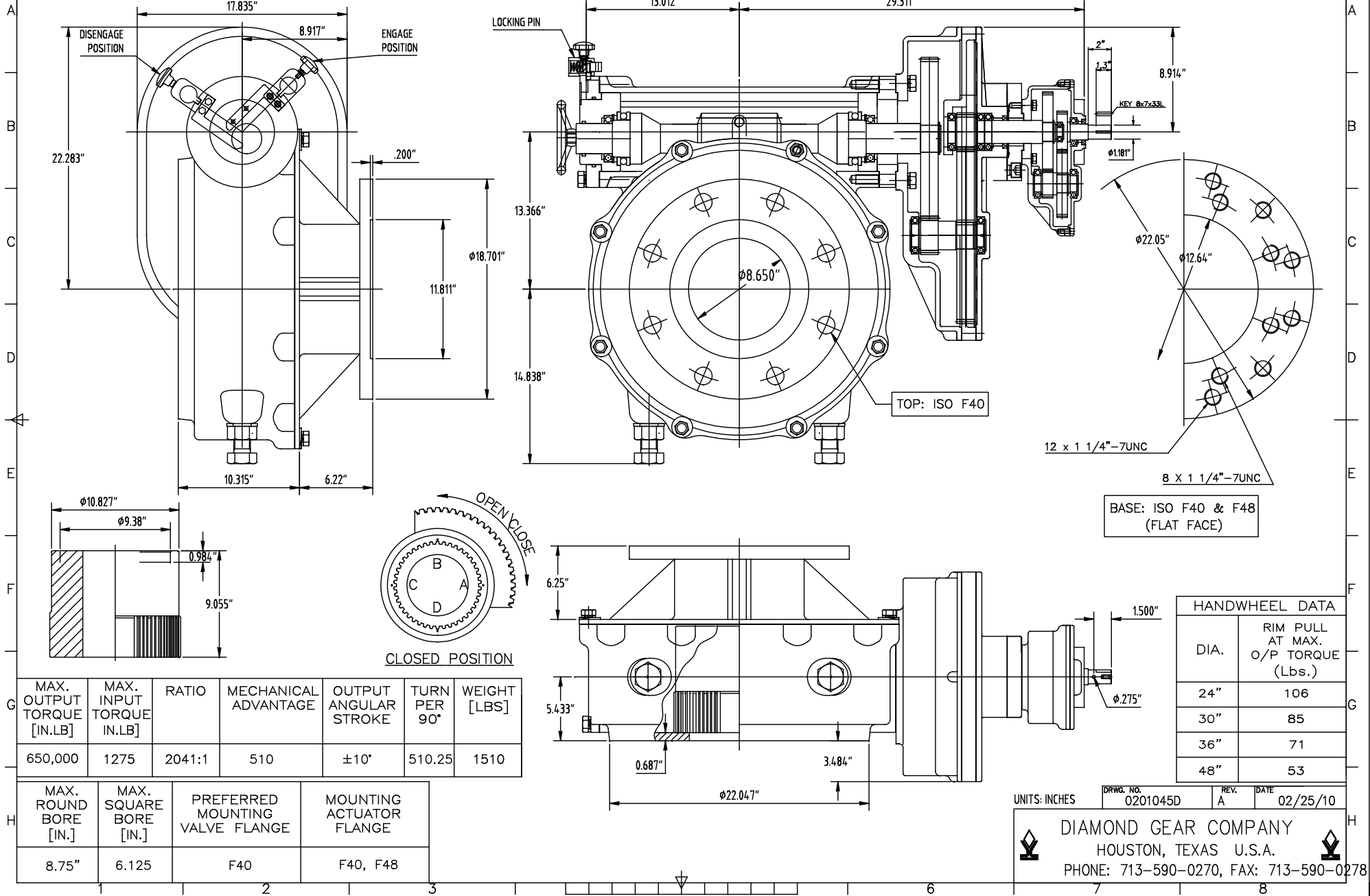


DIAMOND GEAR CO., LTD.

650DW2041



MAX. OUTPUT TORQUE [IN.LB]	MAX. INPUT TORQUE [IN.LB]	RATIO	MECHANICAL ADVANTAGE	OUTPUT ANGULAR STROKE	TURN PER 90°	WEIGHT [LBS]
650,000	1275	2041:1	510	±10°	510.25	1510

MAX. ROUND BORE [IN.]	MAX. SQUARE BORE [IN.]	PREFERRED MOUNTING VALVE FLANGE	MOUNTING ACTUATOR FLANGE
8.75"	6.125	F40	F40, F48

BASE: ISO F40 & F48 (FLAT FACE)

HANDWHEEL DATA	
DIA.	RIM PULL AT MAX. O/P TORQUE (Lbs.)
24"	106
30"	85
36"	71
48"	53

UNITS: INCHES DRWG. NO. 0201045D REV. A DATE 02/25/10

DIAMOND GEAR COMPANY
 HOUSTON, TEXAS U.S.A.
 PHONE: 713-590-0270, FAX: 713-590-0278