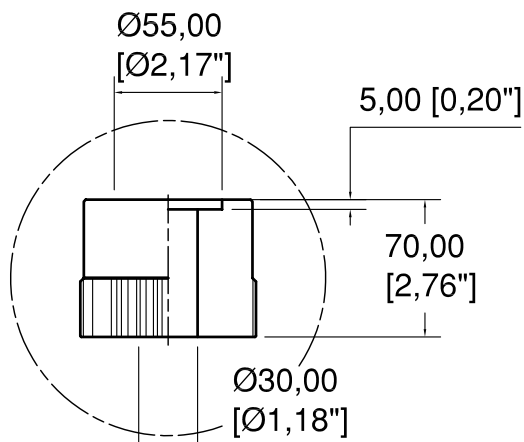
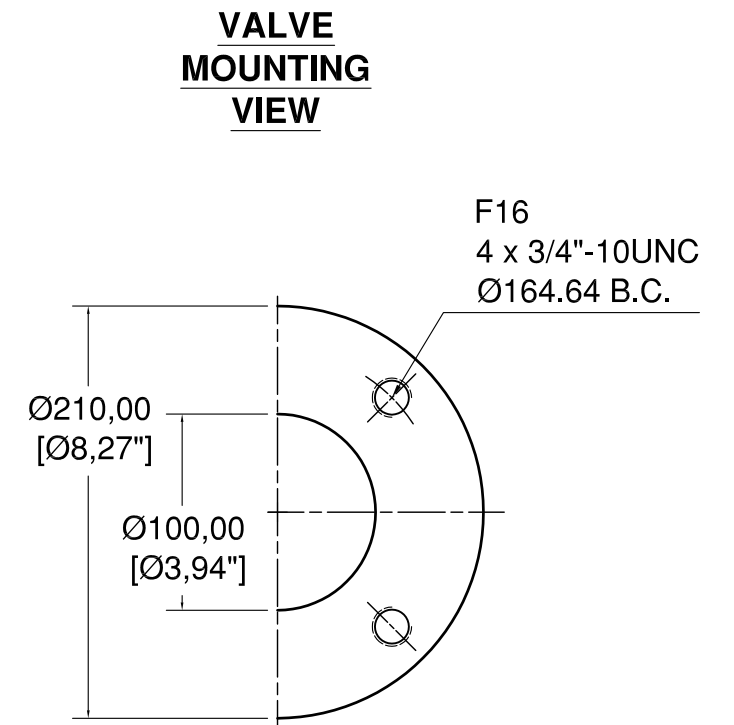
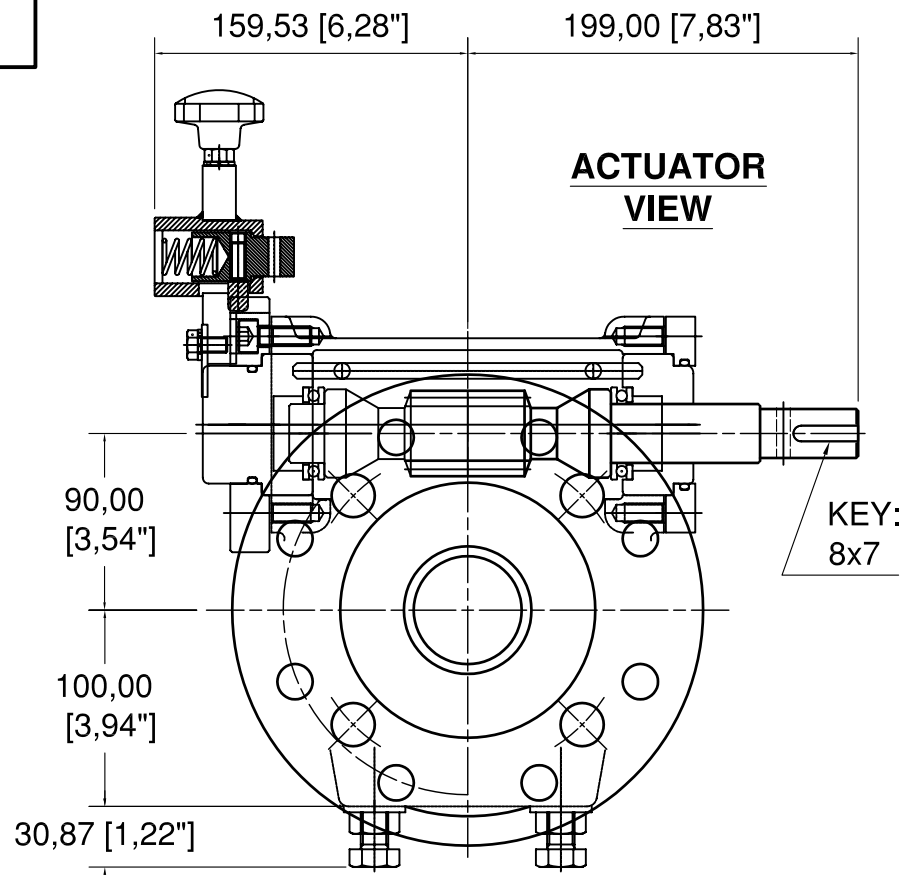
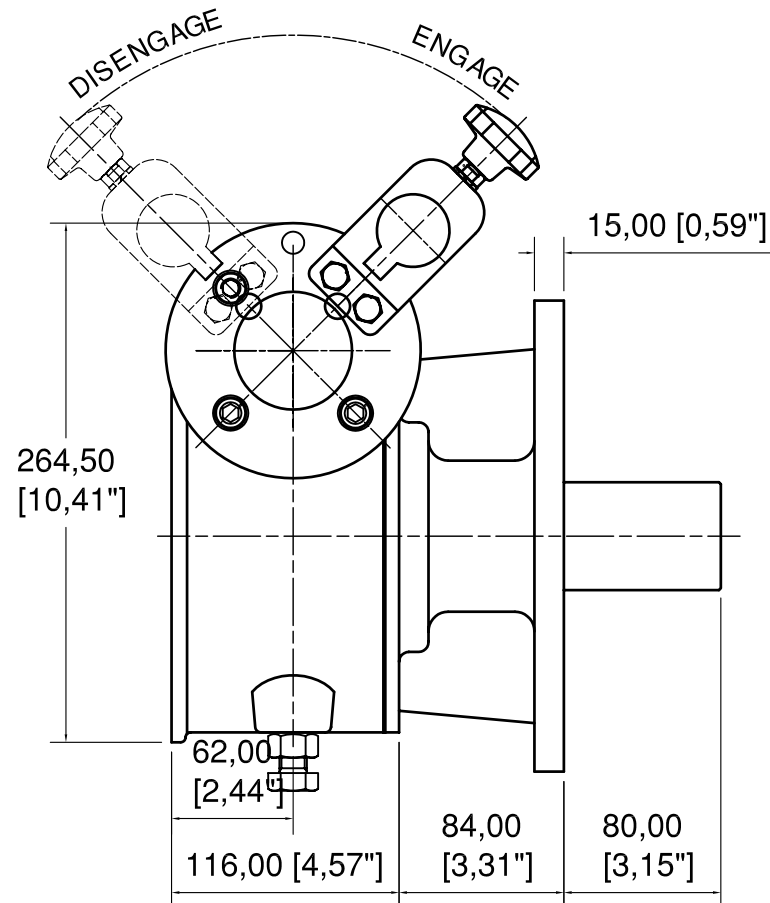
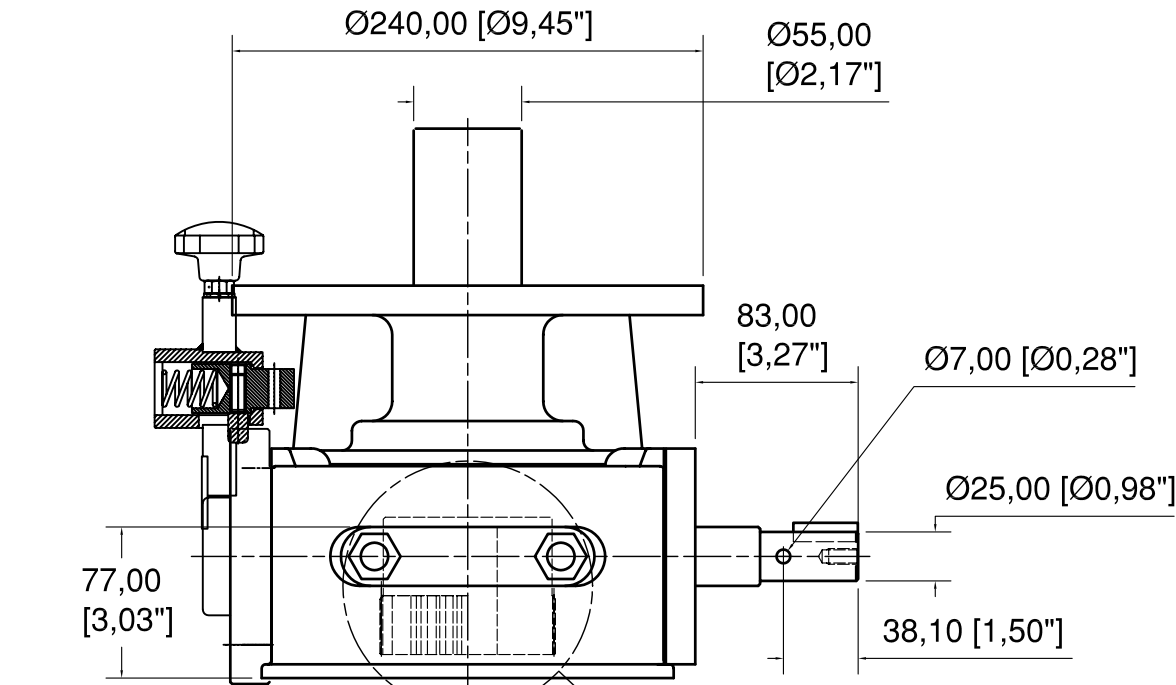


DIAMOND GEAR CO., LTD.

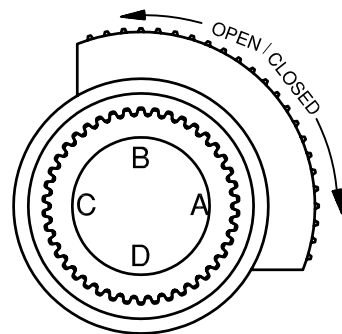
19DW41



Detail A



See Detail A



CLOSED POSITION

DIA.	RIM PULL AT MAX. O/P TORQUE (LBS)
24"	86
20"	104
18"	115
16"	130

MAX. OUTPUT TORQUE [IN.LB]	MAX. INPUT TORQUE [IN.LB]	RATIO	MECHANICAL ADVANTAGE	OUTPUT ANGULAR STROKE	TURN PER 90°	WEIGHT [LB]
19,095	1038	41:1	18.4	±20°	23.5	99

MAX. ROUND BORE [IN]	MAX. SQUARE BORE [IN]	PREFERRED ACTUATOR MOUNTING STRADDLE C/L [IN]	PREFERRED VALVE MOUNTING STRADDLE C/L [IN]
Ø2.125 Key:5/8x3/8	1.625	F16 &F19	F16

Rev.A

0201042D

08/28/07



DIAMOND GEAR CO. LTD.
HOUSTON, TEXAS USA



PHONE: 713-590-0270, FAX: 713-590-0278