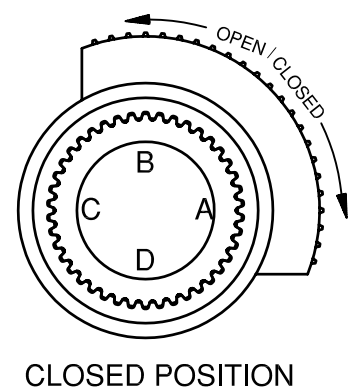
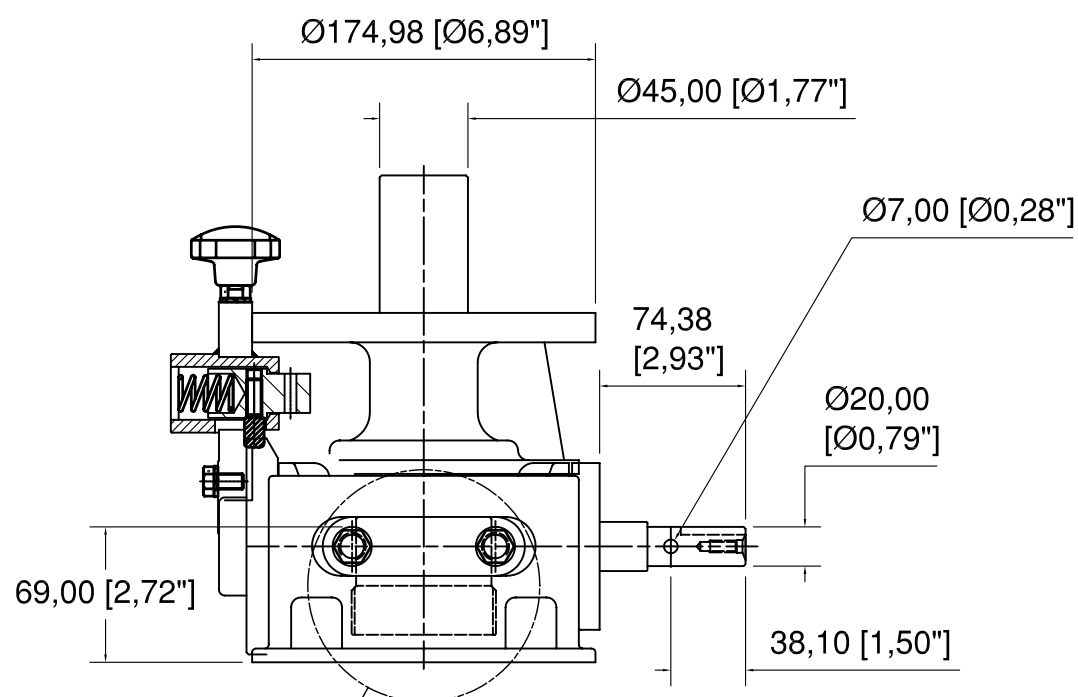
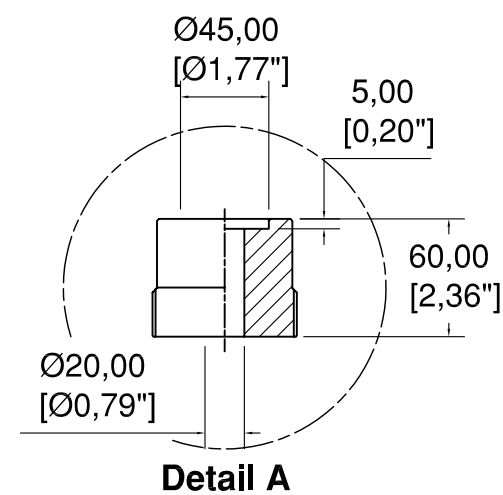
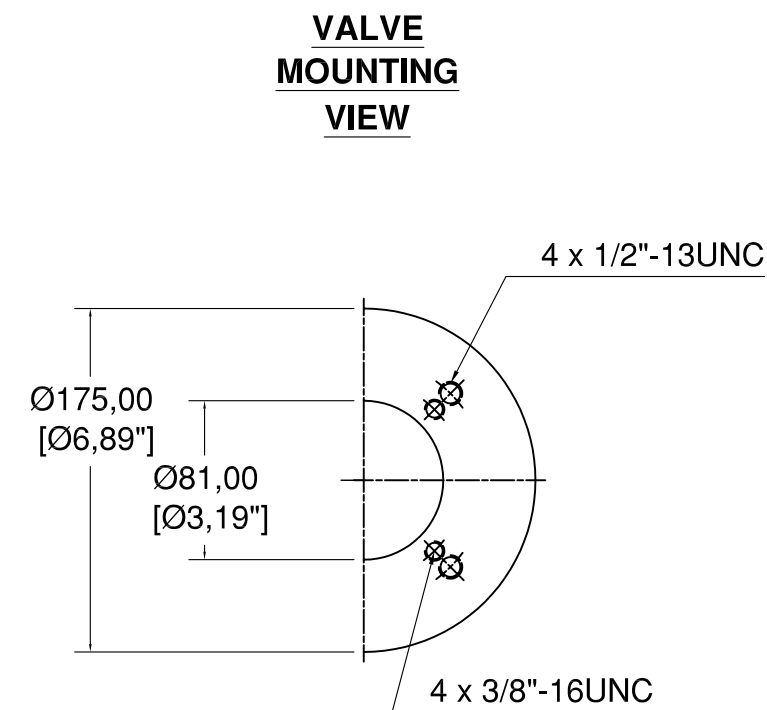
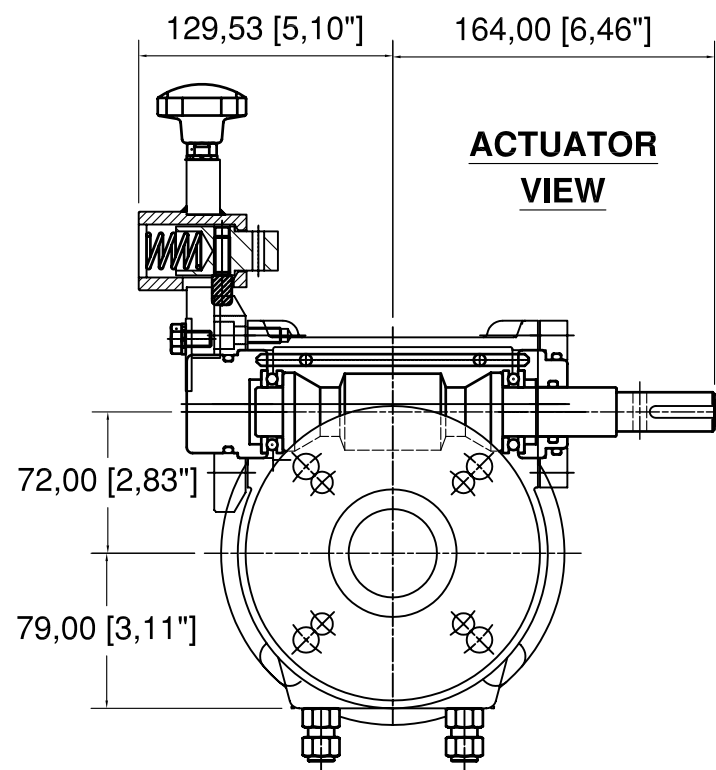
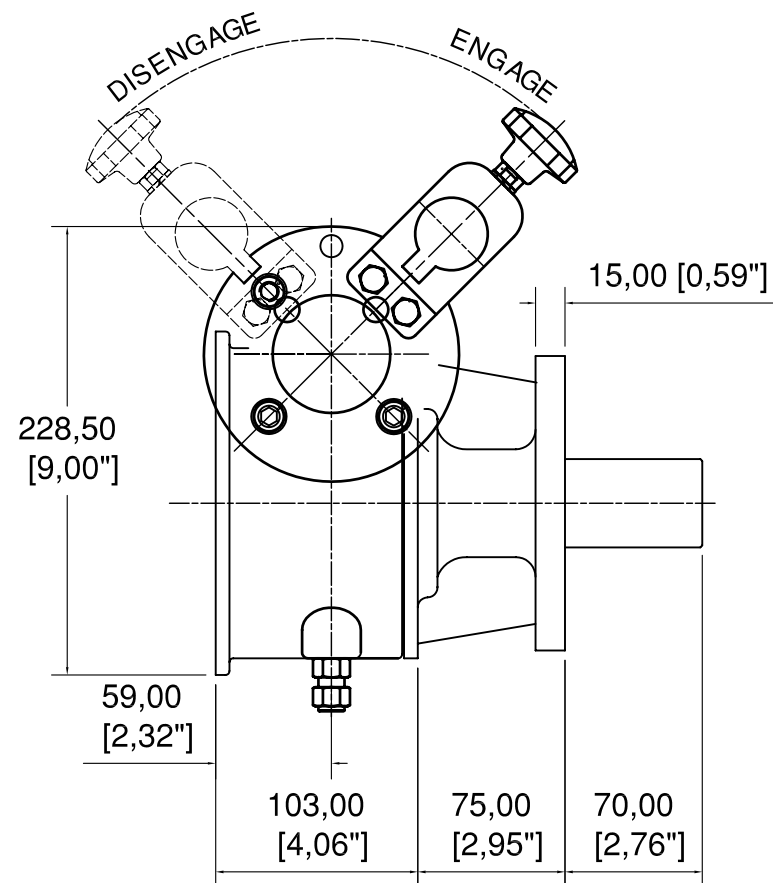


DIAMOND GEAR CO., LTD.

10DW37



DIA.	RIM PULL AT MAX. O/P TORQUE (LBS)
20"	63
18"	71
16"	79
14"	91
12"	106

MAX. OUTPUT TORQUE [IN.LB]	MAX. INPUT TORQUE [IN.LB]	RATIO	MECHANICAL ADVANTAGE	OUTPUT ANGULAR STROKE	TURN PER 90°	WEIGHT [LB]
10,155	635	37:1	16	±20°	9.25	65

MAX. ROUND BORE [IN]	MAX. SQUARE BORE [IN]	PREFERRED ACTUATOR MOUNTING STRADDLE C/L [IN]	PREFERRED VALVE MOUNTING STRADDLE C/L [IN]
Ø1.75 Key: 1/2x3/8	1.375	F10 & F12/F14	F10 & F12/F14

0201041D

08/28/07

DIAMOND GEAR CO. LTD.
HOUSTON, TEXAS USA
PHONE: 713-590-0270, FAX: 713-590-0278