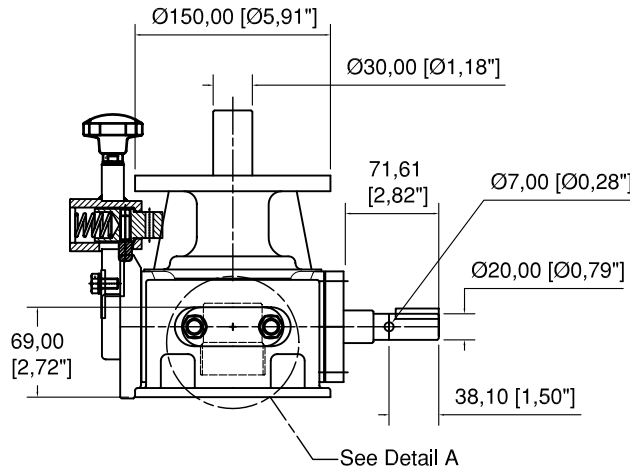
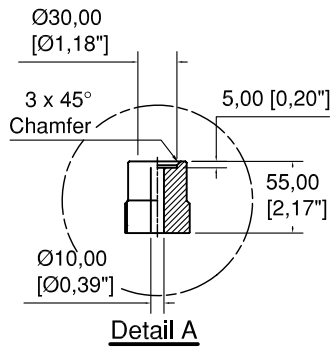
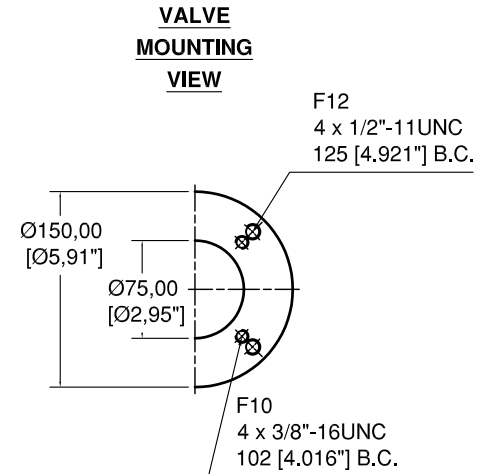
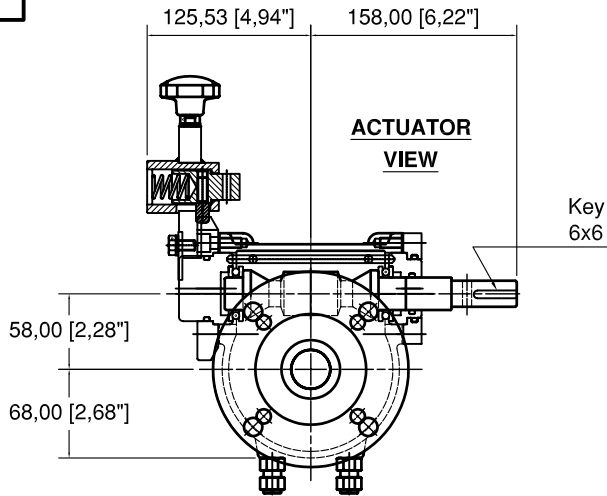
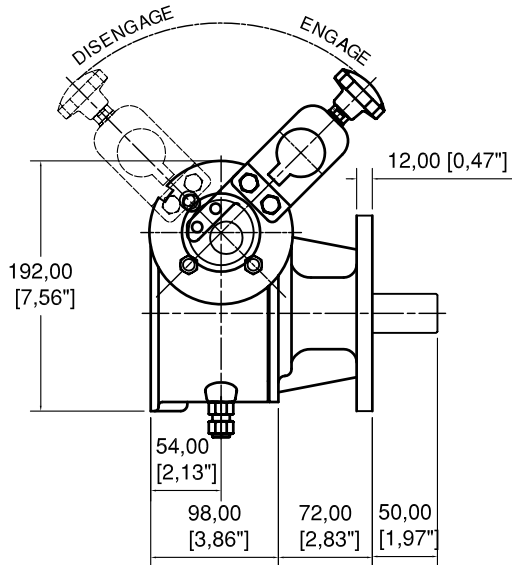


DIAMOND GEAR CO., LTD.

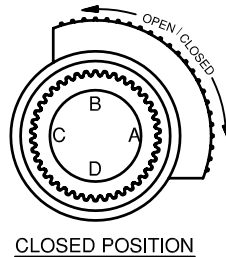
5DW35



DIA.	RIM PULL AT MAX. O/P TORQUE (LBS)
16"	36
14"	41
12"	47
10"	57
8"	71

MAX. OUTPUT TORQUE [IN.LB]	MAX. INPUT TORQUE [IN.LB]	RATIO	MECHANICAL ADVANTAGE	OUTPUT ANGULAR STROKE	TURN PER 90°	WEIGHT [LB]
5,381	285	35:1	18.9	±20°	8.75	25

MAX. ROUND BORE [IN]	MAX. SQUARE BORE [IN]	PREFERRED ACTUATOR MOUNTING STRADDLE C/L [IN]	PREFERRED VALVE MOUNTING STRADDLE C/L [IN]
ø1.125 Key:3/8x5/16	.875	F10 & F12	F10 & F12



0201040D

Rev.A
08/28/07

DIAMOND GEAR CO. LTD.
HOUSTON, TEXAS USA
PHONE: 713-590-0270, FAX: 713-590-0278