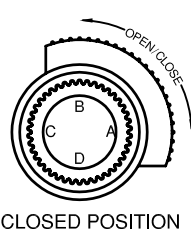
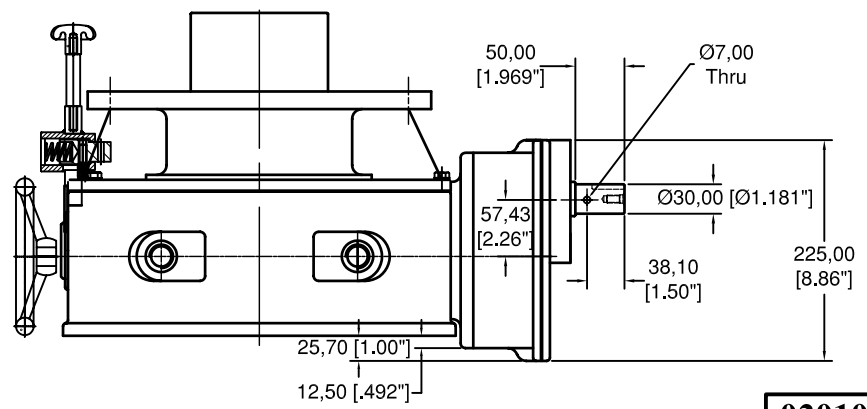
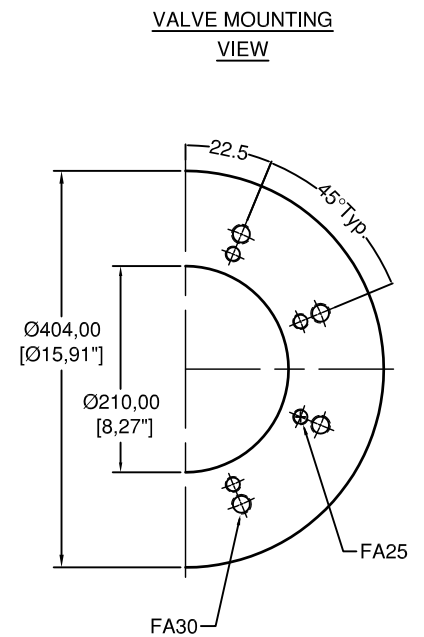
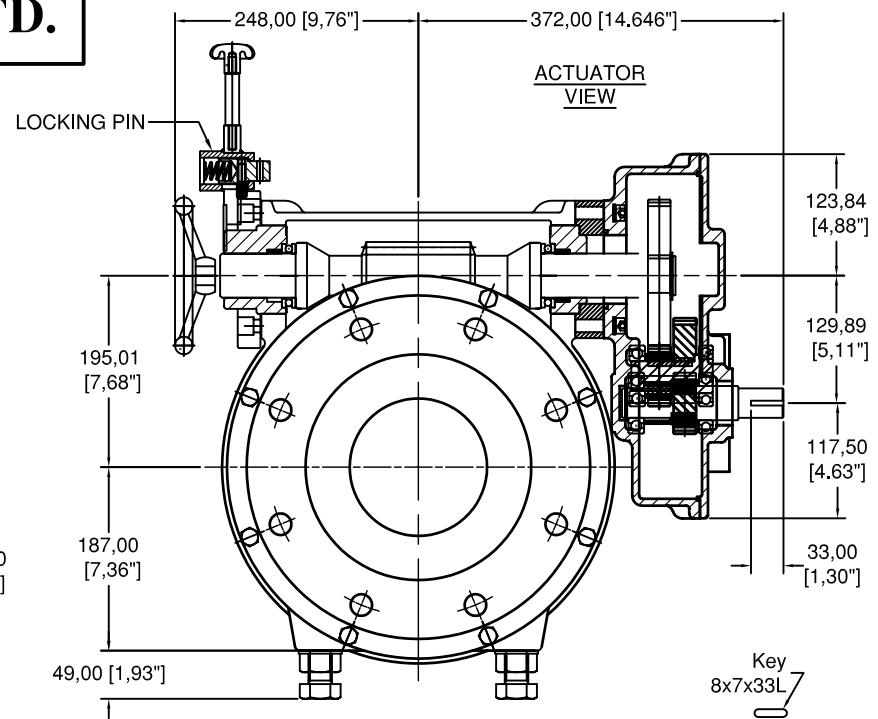
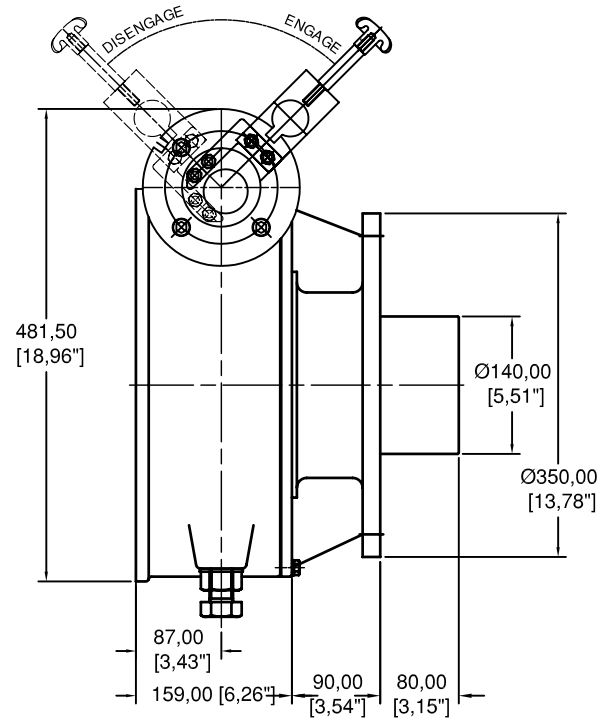


# DIAMOND GEAR CO., LTD.

# 142DW288



DIA.	RIM PULL AT MAX. O/P TORQUE (Lbs.)
20"	230
24"	191
30"	153
36"	128
48"	96

MAX. OUTPUT TORQUE [IN.LB]	MAX. INPUT TORQUE [IN.LB]	RATIO	MECHANICAL ADVANTAGE	OUTPUT ANGULAR STROKE	TURN PER 90°	WEIGHT [LB]
142,762	238	288:1	117.3	±20°	72	319

MAX. ROUND BORE [IN]	MAX. SQUARE BORE [IN]	PREFERRED ACTUATOR MOUNTING STRADDLE C/L [IN]	PREFERRED VALVE MOUNTING STRADDLE C/L [IN]
5.90	4.18	F30	F25, F30

**Rev.A**  
**04/10/07**

**0201038D**

**DIAMOND GEAR CO. LTD.**  
**HOUSTON, TEXAS USA**  
**PHONE: 713-590-0270, FAX: 713-590-0278**