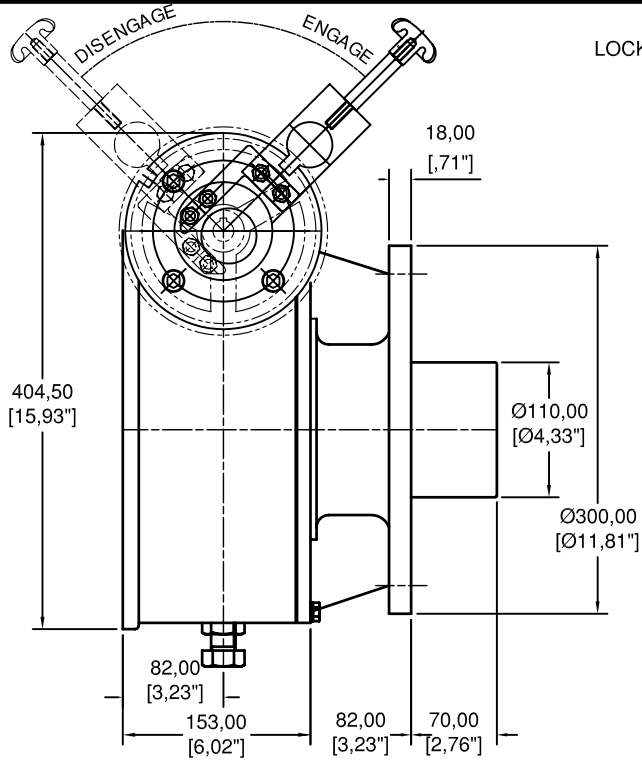


DIAMOND GEAR CO., LTD.

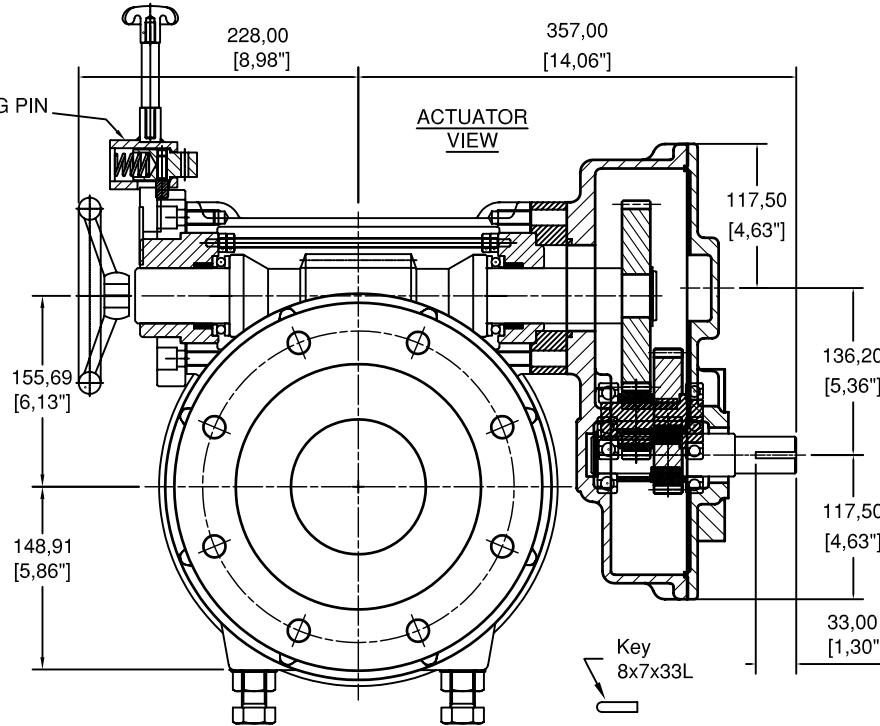
82DW175



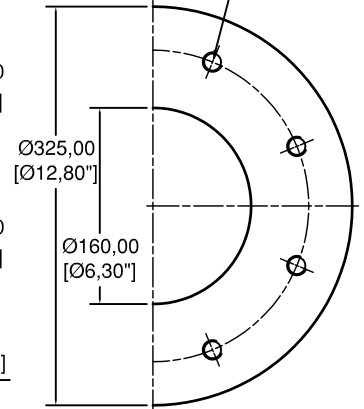
LOCKING PIN

ACTUATOR VIEW

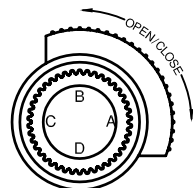
VALVE MOUNTING VIEW



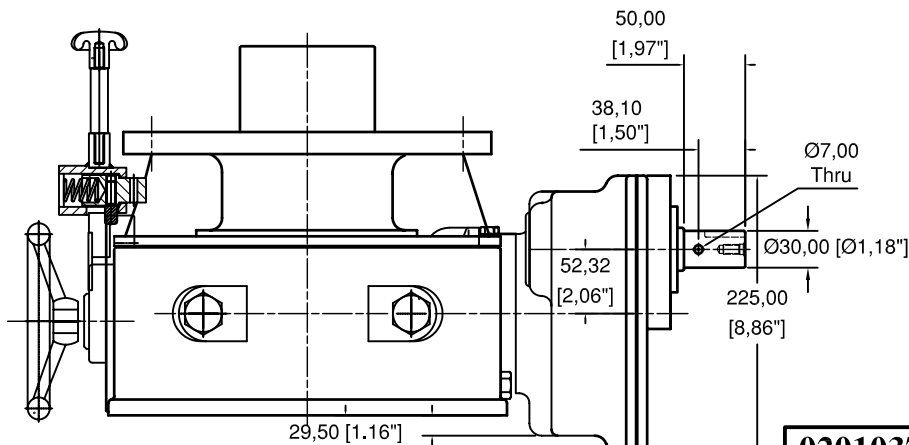
FA25
8 x 5/8"-11UNC
ON P.C.D.254.00



Key
8x7x33L



CLOSED POSITION



DIA.	RIM PULL AT MAX. O/P TORQUE (Lbs.)
18"	156
20"	140
24"	117
30"	94
36"	78

MAX. OUTPUT TORQUE [IN.LB]	MAX. INPUT TORQUE [IN.LB]	RATIO	MECHANICAL ADVANTAGE	OUTPUT ANGULAR STROKE	TURN PER 90°	WEIGHT [LB]
82,046	1404	175:1	69.5	±20°	43.75	183

MAX. ROUND BORE [IN]	MAX. SQUARE BORE [IN]	PREFERRED ACTUATOR MOUNTING STRADDLE C/L [IN]	PREFERRED VALVE MOUNTING STRADDLE C/L [IN]
4.33	3,0625	FA25	FA25

0201037D

Rev.A
04/10/07

DIAMOND GEAR CO. LTD.
HOUSTON, TEXAS USA
PHONE: 713-590-0270, FAX: 713-590-0278