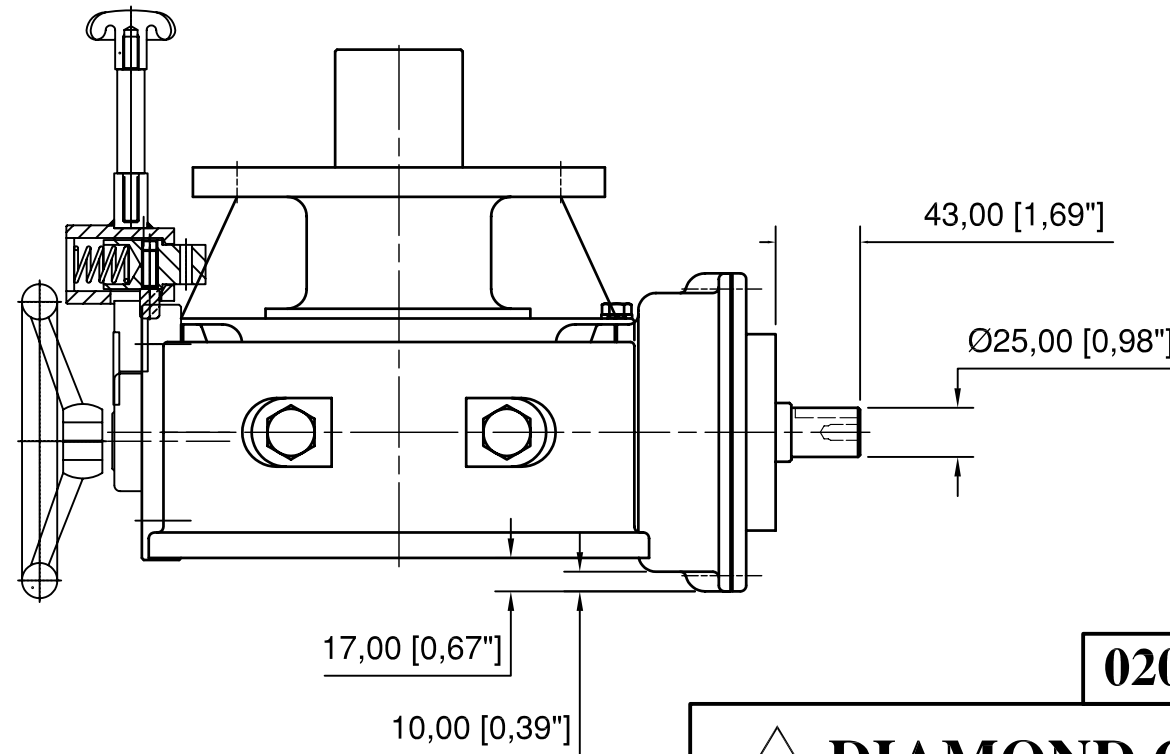
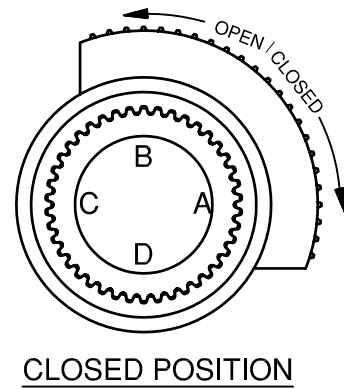
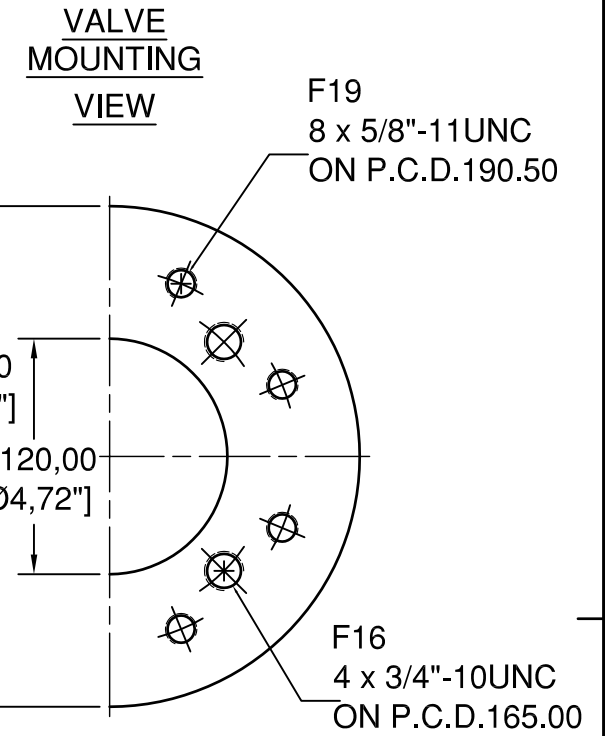
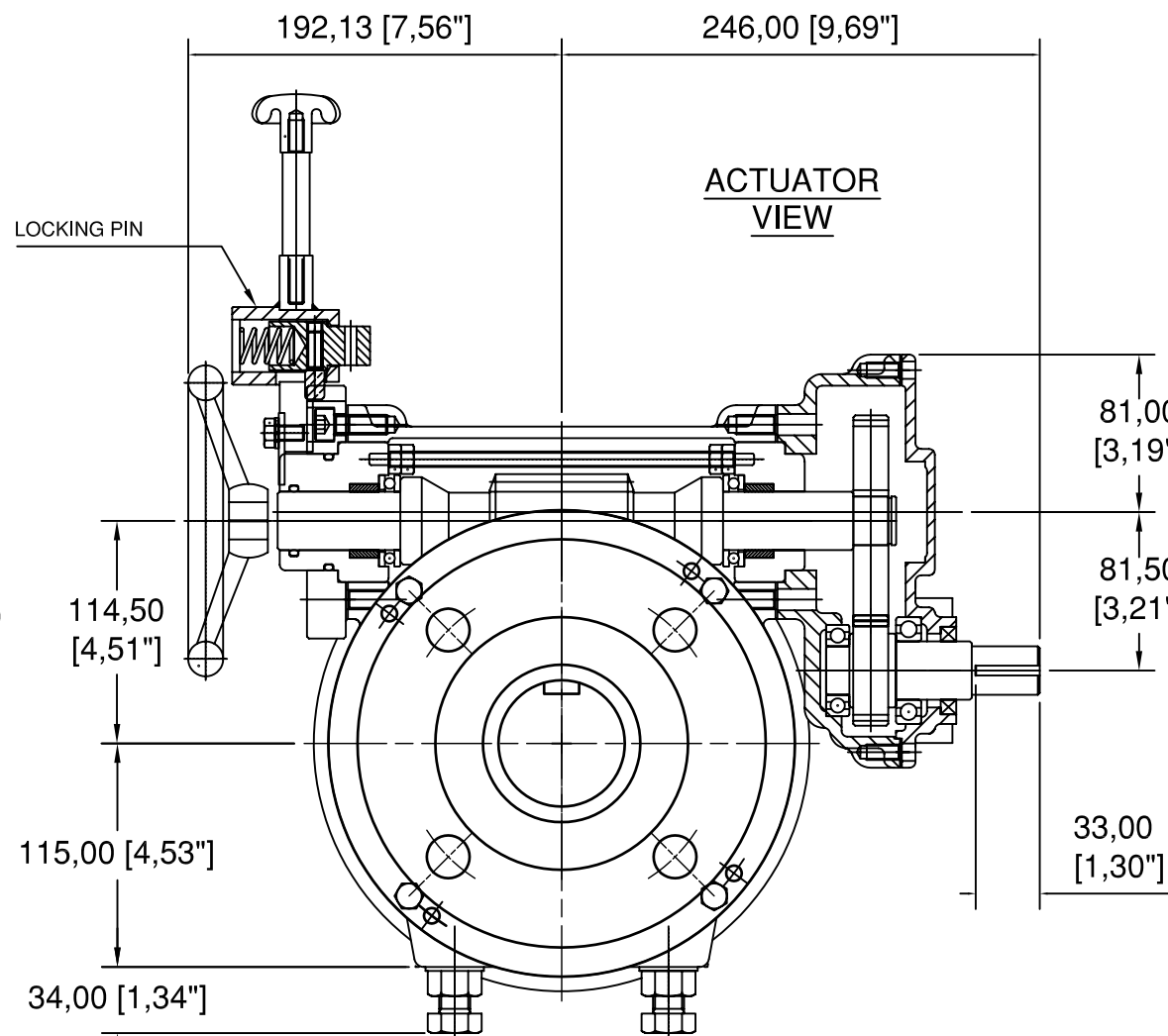
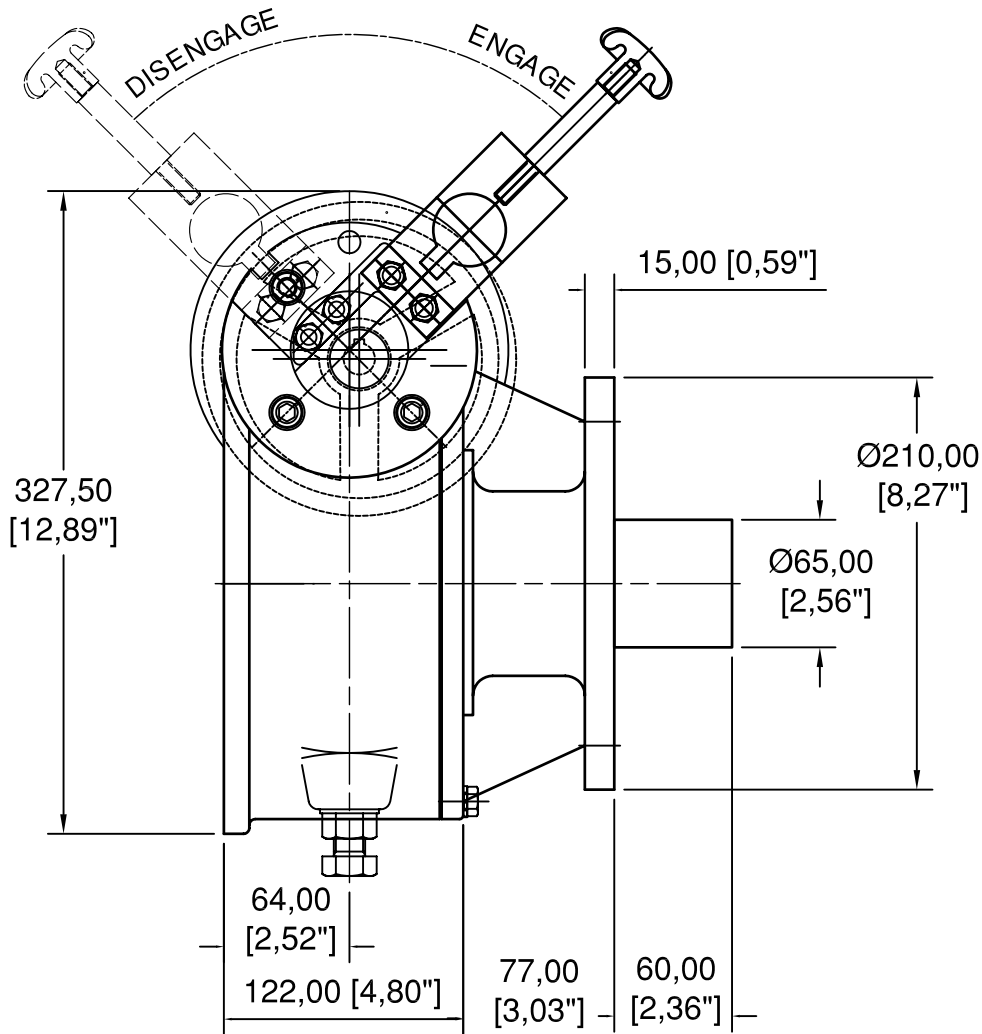


DIAMOND GEAR CO., LTD.

41DW94



DIA.	RIM PULL AT MAX. O/P TORQUE (Lbs.)
18"	112
20"	101
24"	84
30"	67

MAX. OUTPUT TORQUE [IN.LB]	MAX. INPUT TORQUE [IN.LB]	RATIO	MECHANICAL ADVANTAGE	OUTPUT ANGULAR STROKE	TURN PER 90°	WEIGHT [LB]
41,457	1009	94:1	41.1	±20°	23.5	99

MAX. ROUND BORE [IN]	MAX. SQUARE BORE [IN]	PREFERRED ACTUATOR MOUNTING STRADDLE C/L [IN]	PREFERRED VALVE MOUNTING STRADDLE C/L [IN]
2.95	2.125	F16	F16, F19

0201036D

REV.-
04/10/07

DIAMOND GEAR CO. LTD.
HOUSTON, TEXAS USA
PHONE: 713-590-0270, FAX: 713-590-0278