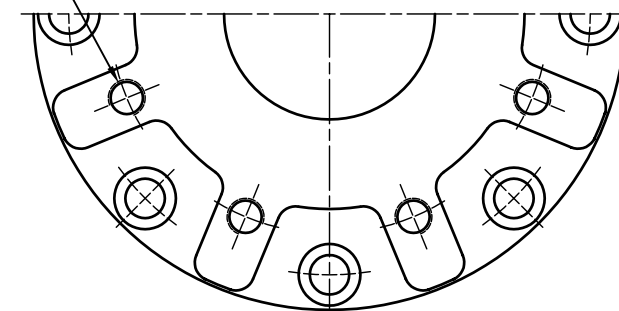
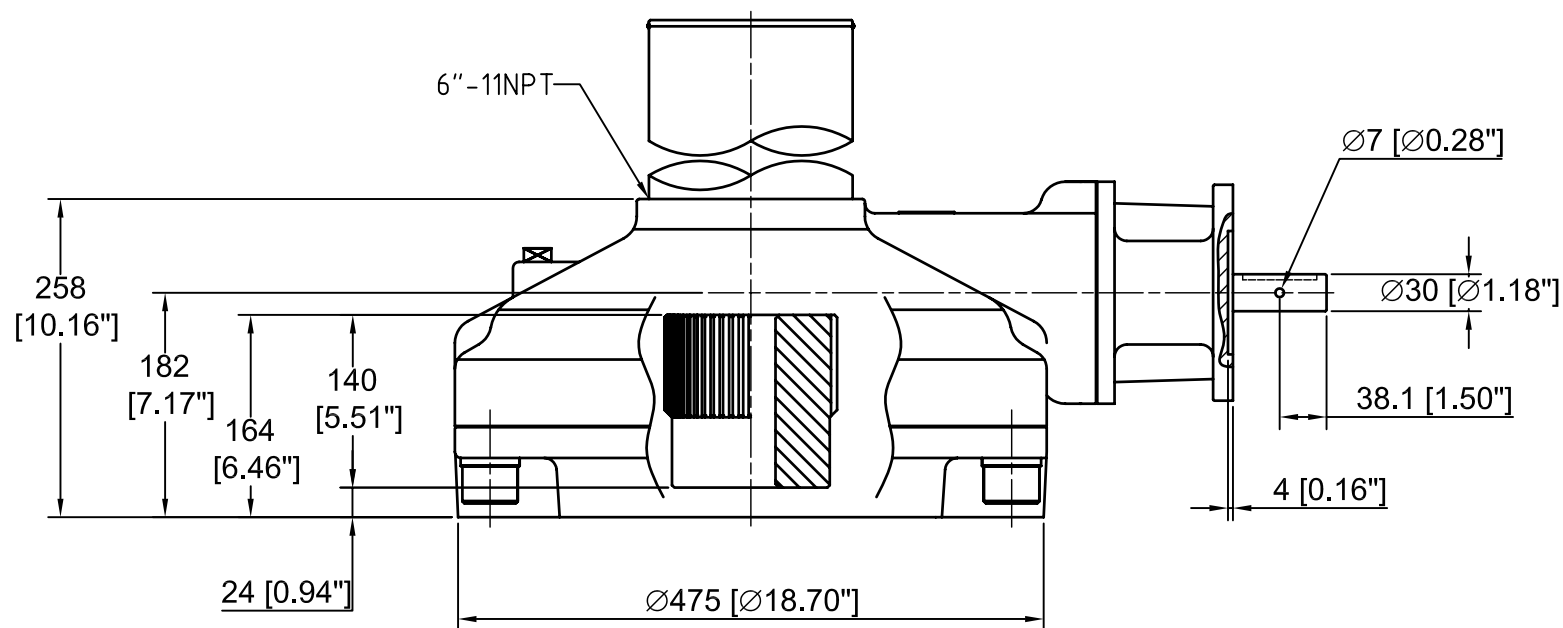
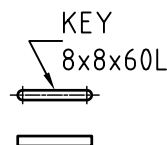


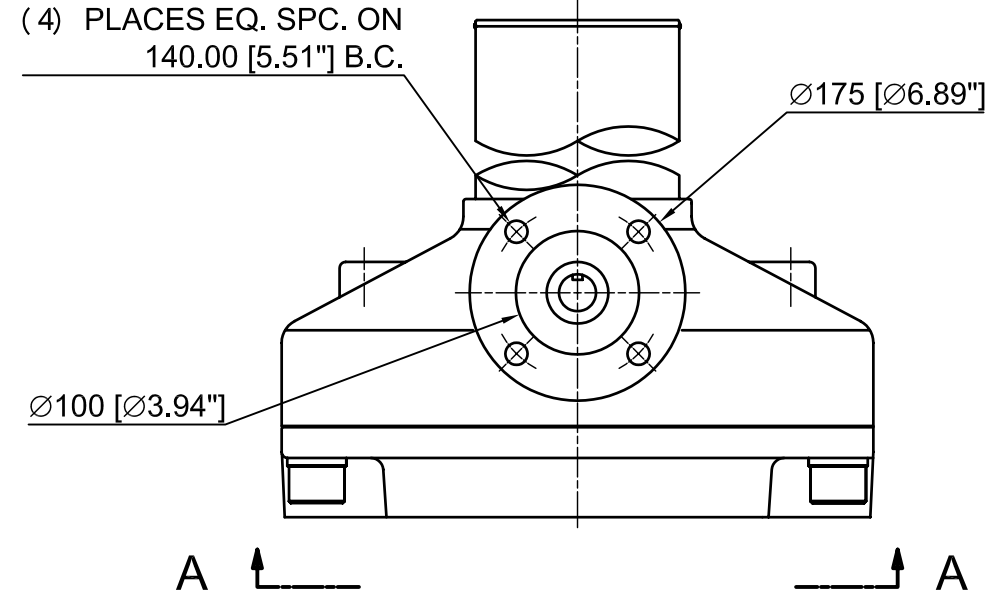
8 x 1"-8UNC
(8) PLACES EQ. SPC. ON
Ø356.00 [Ø14.02"]



VIEW A-A



Ø18 [Ø0.71"] THRU
(4) PLACES EQ. SPC. ON
140.00 [5.51"] B.C.



MAX. OUTPUT TORQUE [FT.LB]	MAX. INPUT TORQUE [FT.LB]	RATIO	MECHANICAL ADVANTAGE	THRUST [LBS.]	WEIGHT [LBS.]	MAX. STEM DIA. FOR THRUST APPLICATION [IN.]	MAX. MOUNTING STRADDLE C/L [IN.]	MIN. MOUNTING STRADDLE C/L [IN.]	PREFERRED MOUNTING STRADDLE C/L [IN.]
5,738	1007	6 : 1	5.7	114,640	380.0	4.92	16.000	14.000	FA35

UNITS: MM[INCHES]

C921111A 12/03/07

REV. 0

DIAMOND GEAR CO. LTD.
HOUSTON, TEXAS USA
PHONE: 713-590-0270, FAX: 713-590-0278