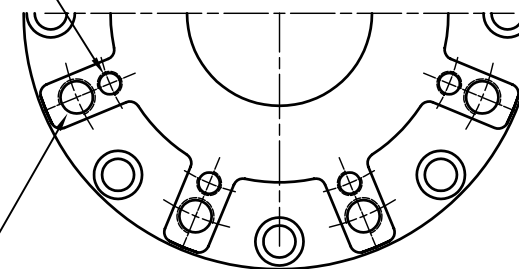
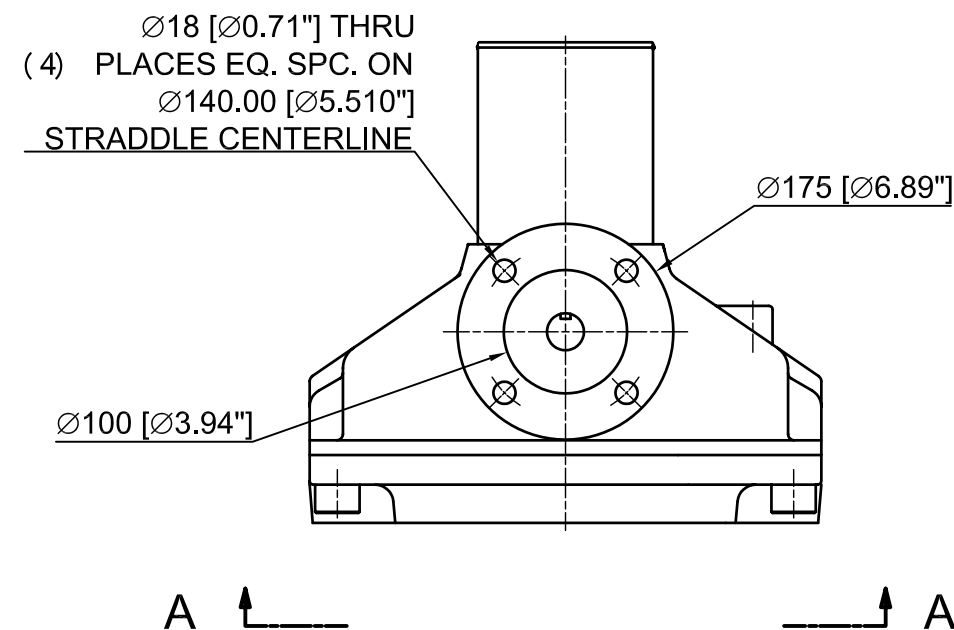
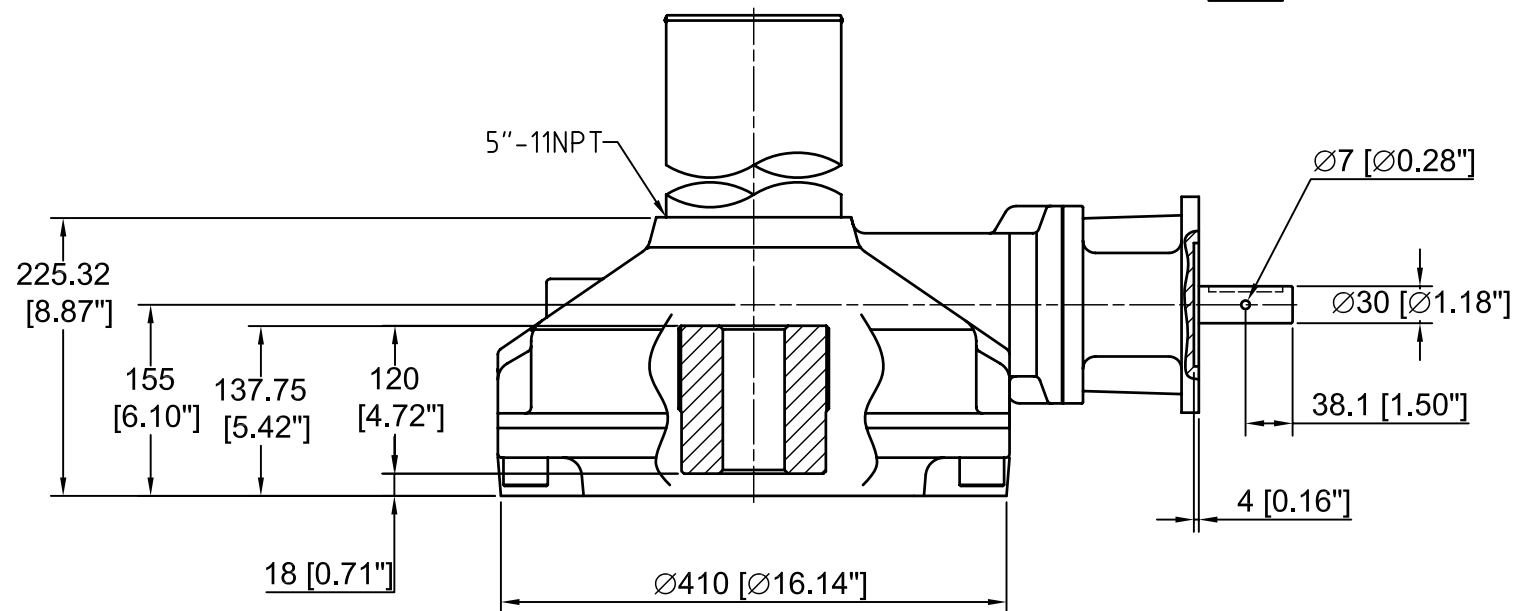
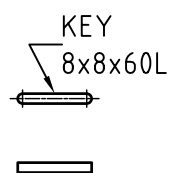


3/4"-10UNC  
(8) PLACES EQ. SPC ON  
Ø298.00 [Ø11.73"] B.C.

1"-8UNC  
(8) PLACES EQ. SPC ON  
Ø356.00 [Ø14.02"] B.C.



VIEW A-A



MAX. OUTPUT TORQUE [FT.LB]	MAX. INPUT TORQUE [FT.LB]	RATIO	MECHANICAL ADVANTAGE	THRUST [LBS]	WEIGHT [LBS.]	MAX. STEM DIA. FOR THRUST APPLICATION [IN.]	MAX. MOUNTING STRADDLE C/L [IN.]	MIN. MOUNTING STRADDLE C/L [IN.]	PREFERRED MOUNTING STRADDLE C/L [IN.]
4,109	786	5.5 : 1	5.23	90,390	272.0	3.74	14.00	11.50	FA30 & FA35

UNITS: MM [INCHES] **C921110A** **REV. 0** **12/03/07**

**DIAMOND GEAR CO. LTD.**  
HOUSTON, TEXAS USA  
PHONE: 713-590-0270, FAX: 713-590-0278