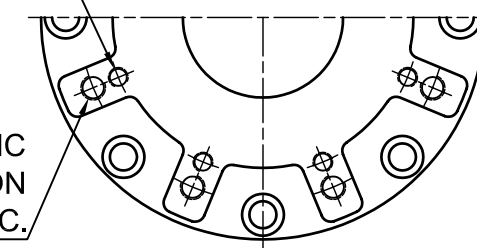
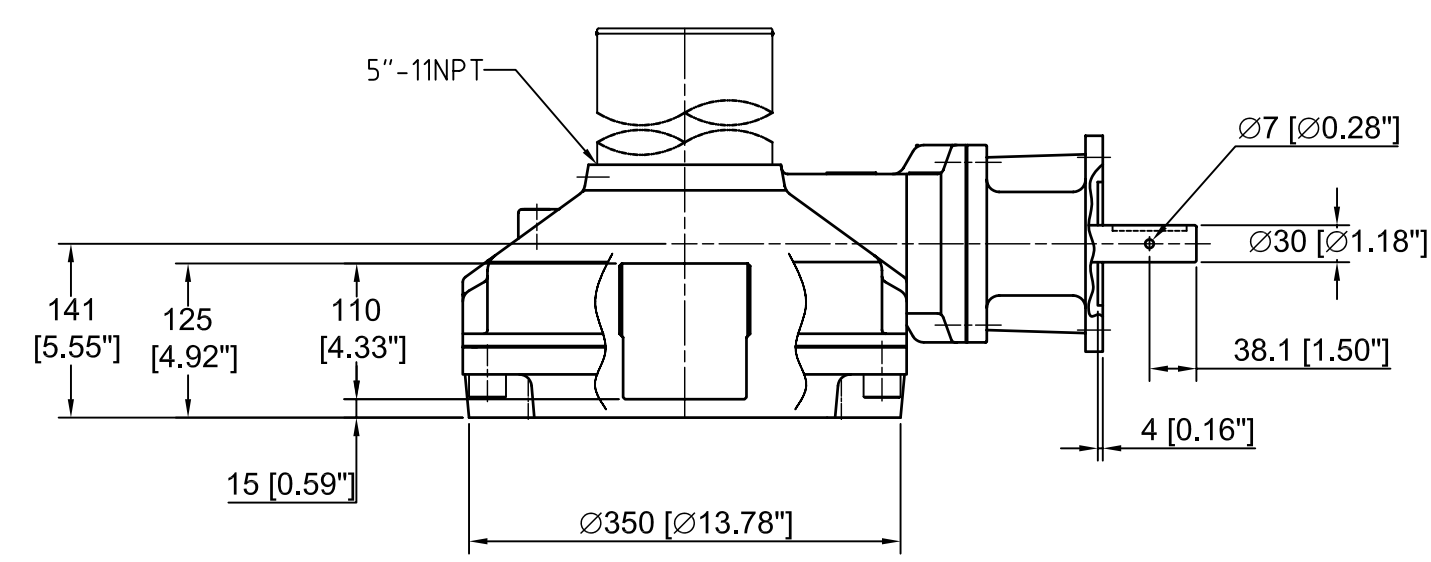
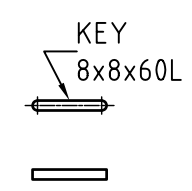


5/8-11UNC
(8) PLACES EQ. SPC. ON
Ø254.00 [Ø10.00"] B.C.

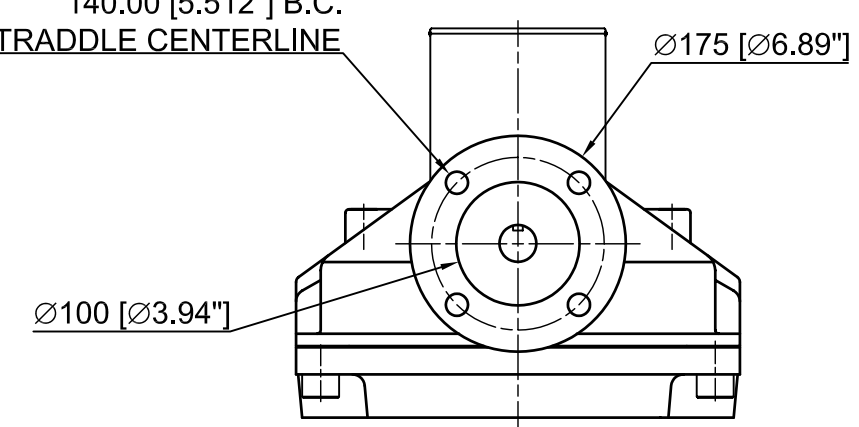
3/4"-11UNC
(8) PLACES EQ. SPC. ON
Ø298.00 [Ø11.73"] B.C.



VIEW A-A



Ø18 [Ø0.71"] THRU
(4) PLACES EQ. SPC. ON
140.00 [5.512"] B.C.
STRADDLE CENTERLINE



MAX. OUTPUT TORQUE [FT.LB]	MAX. INPUT TORQUE [FT.LB]	RATIO	MECHANICAL ADVANTAGE	THRUST [LBS]	WEIGHT [LBS.]	MAX. STEM DIA. FOR THRUST APPLICATIONL [IN.]	MAX. MOUNTING STRADDLE C/L [IN.]	MIN. MOUNTING STRADDLE C/L [IN.]	PREFERRED MOUNTING STRADDLE C/L [IN.]
2755	580	5 : 1	4.75	79,366	196.0	3.30"	12.000	10.000	FA25 & FA30

UNITS: MM [INCHES] **C921109A** **REV. 0** **12/03/07**

DIAMOND GEAR CO. LTD.
HOUSTON, TEXAS USA
PHONE: 713-590-0270, FAX: 713-590-0278