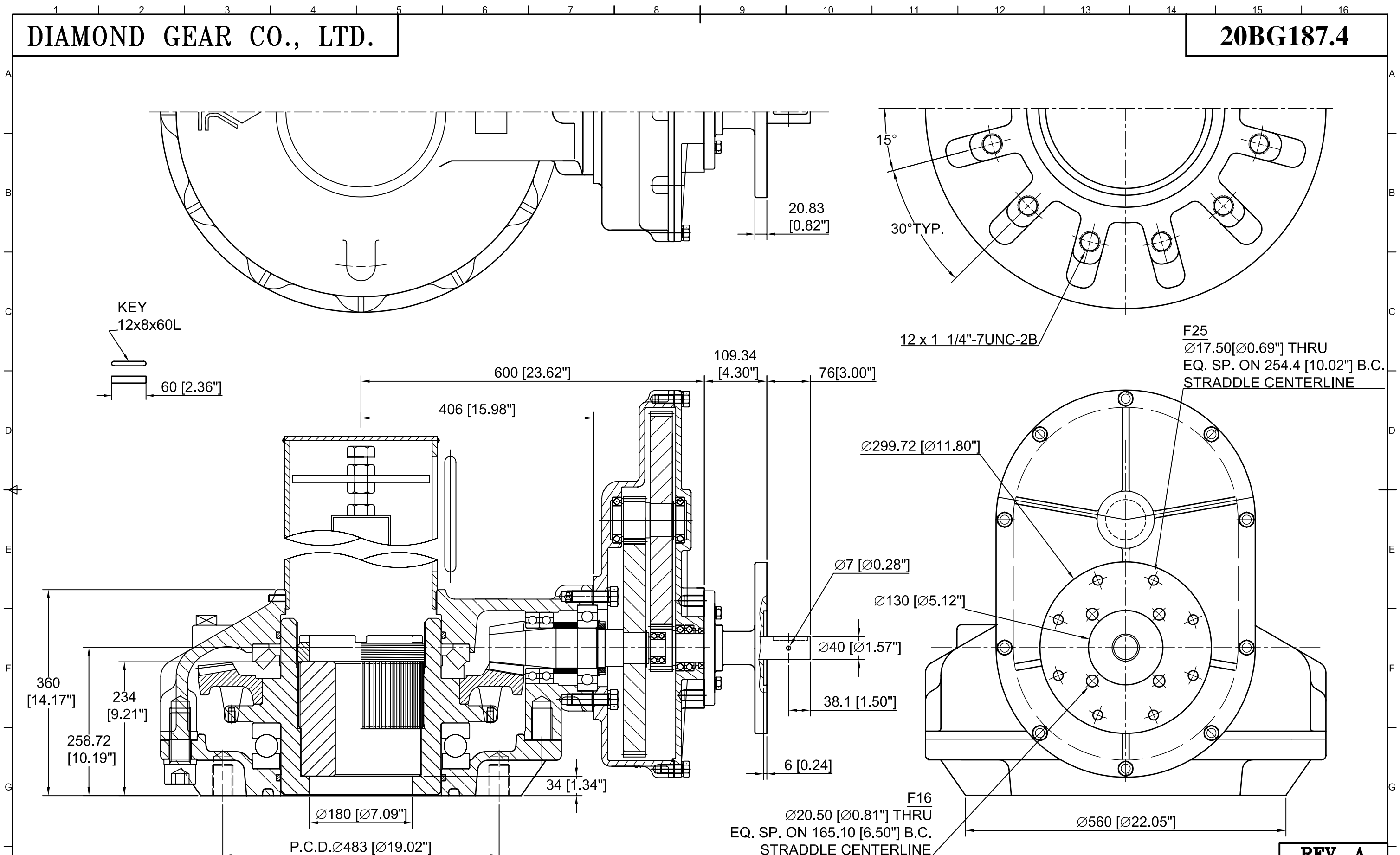


DIAMOND GEAR CO., LTD.

20BG187.4



REV. A

C921107A 12/03/07

MAX. OUTPUT TORQUE [FT.LB]	MAX. INPUT TORQUE [FT.LB]	RATIO	MECHANICAL ADVANTAGE	THRUST [LBS.]	WEIGHT [LBS.]	MAX. STEM DIA. FOR THRUST APPLICATIONL [IN.]	MAX. MOUNTING STRADDLE C/L [IN.]	MIN. MOUNTING STRADDLE C/L [IN.]	PREFERRED MOUNTING STRADDLE C/L [IN.]
20,961	117.75	187.4:1	178	438.720	1473	6.30	24.00	18.00	FA48 + FA60

DIAMOND GEAR CO. LTD.  
HOUSTON, TEXAS USA  
PHONE: 713-590-0270, FAX: 713-590-0278