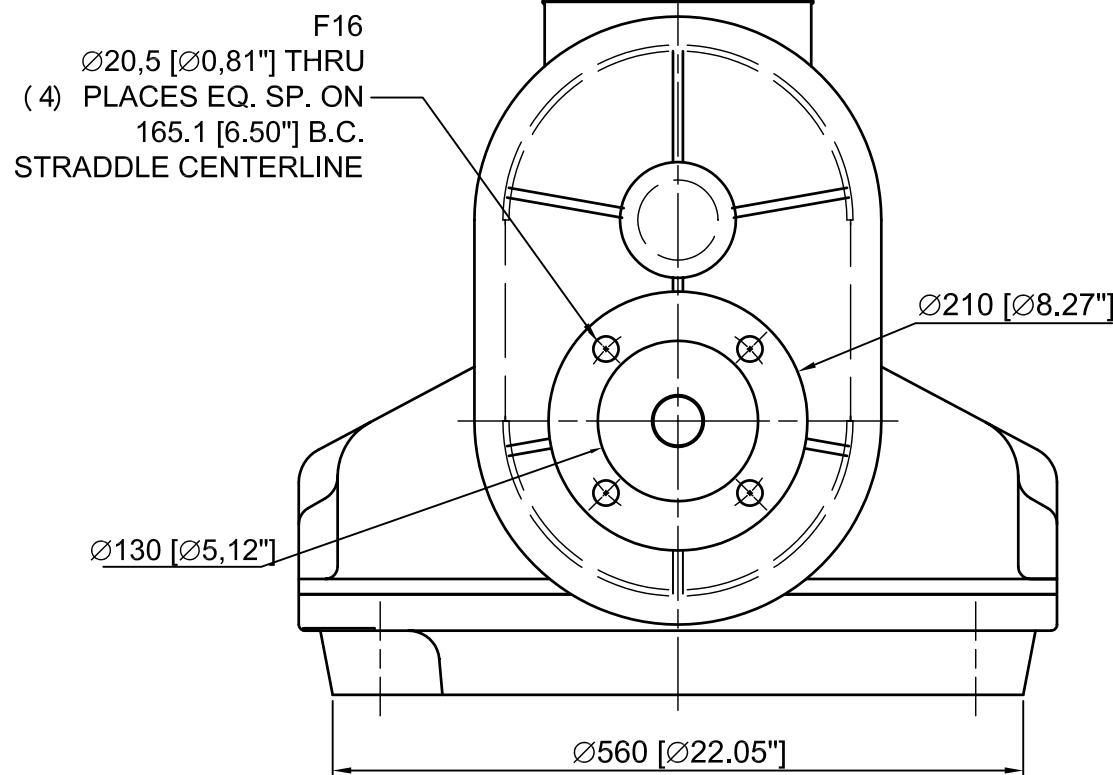
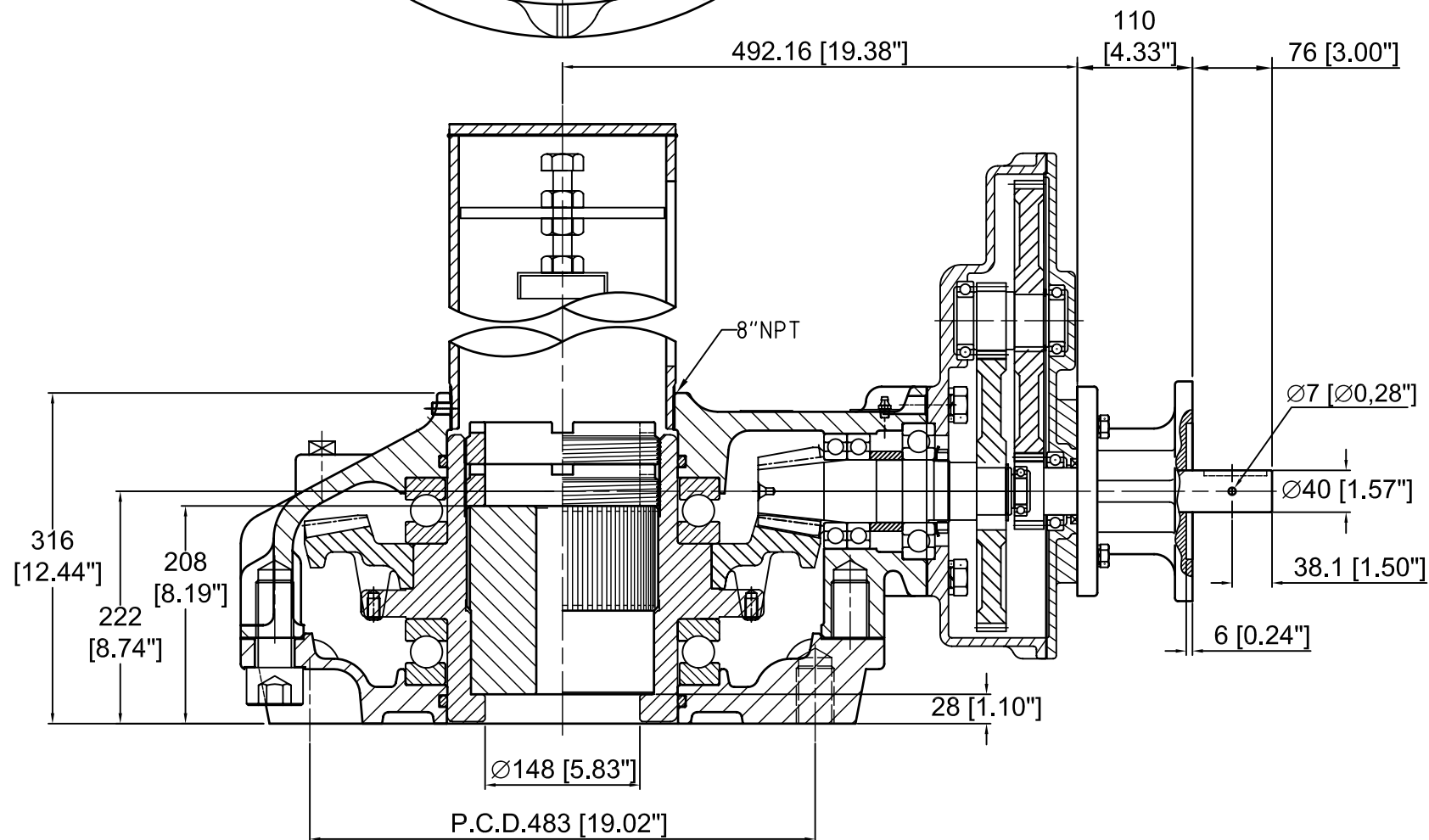
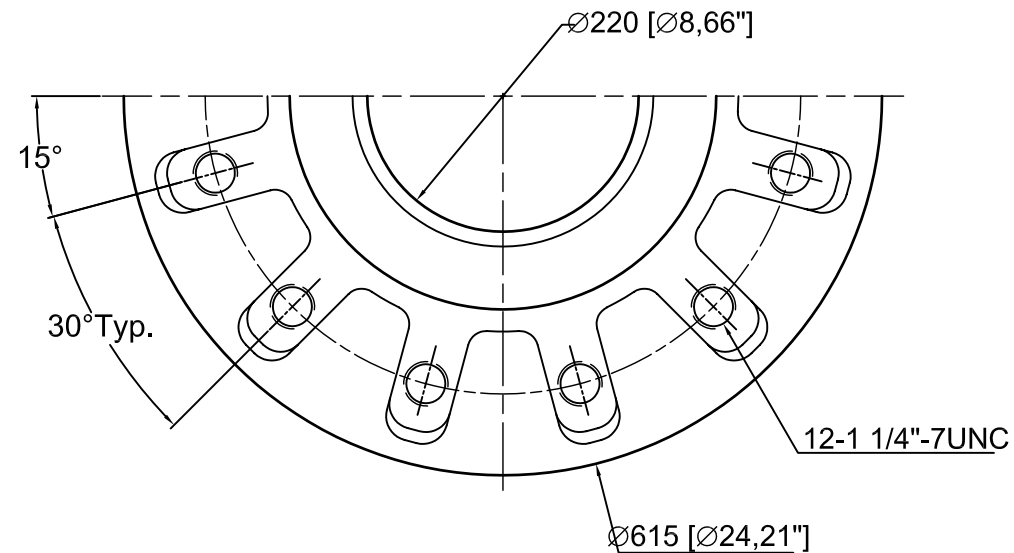
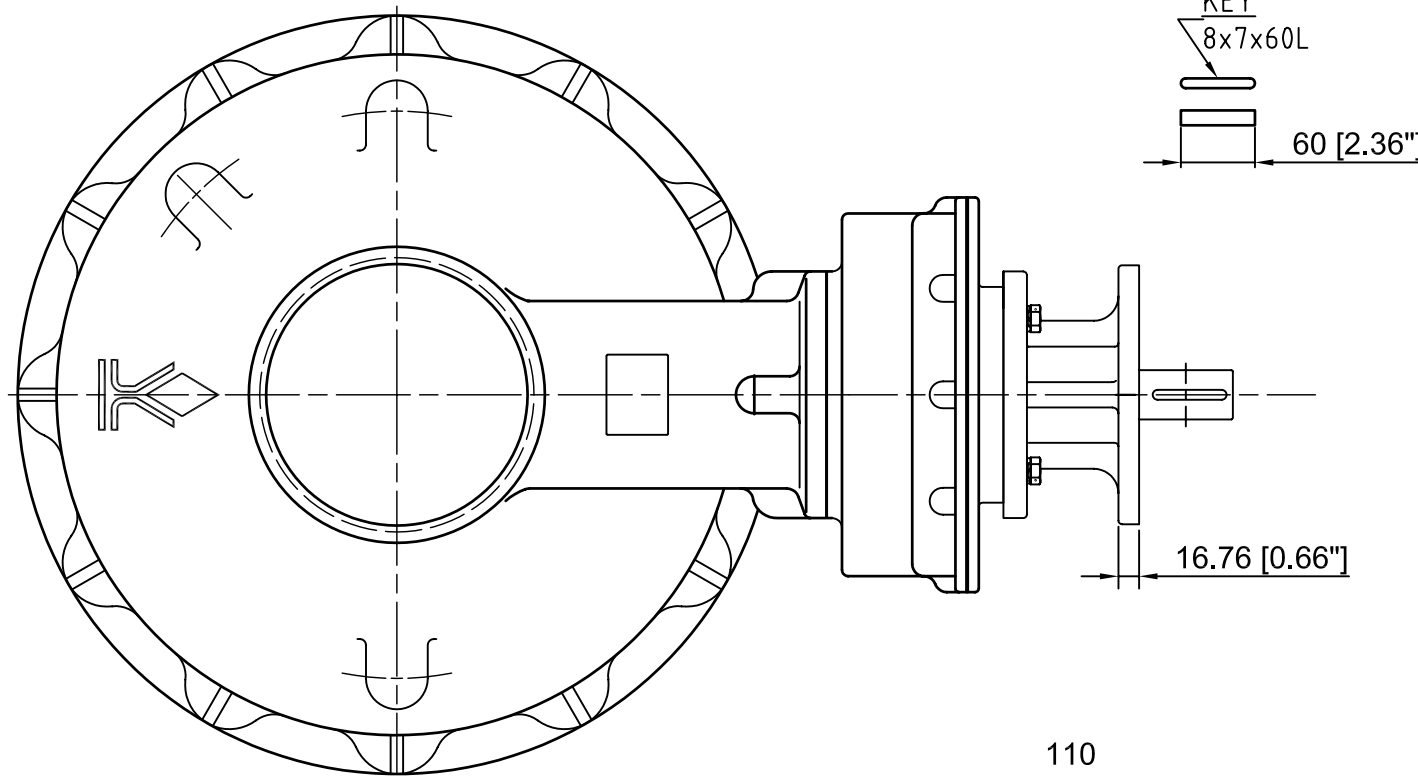


DIAMOND GEAR CO., LTD.

14BG113



MAX. OUTPUT TORQUE [FT.LB]	MAX. INPUT TORQUE [FT.LB]	RATIO	MECHANICAL ADVANTAGE	THRUST [LBS.]	WEIGHT [LBS.]	MAX. STEM DIA. FOR THRUST APPLICATIONL [IN.]	MAX. MOUNTING STRADDLE C/L [IN.]	MIN. MOUNTING STRADDLE C/L [IN.]	PREFERRED MOUNTING STRADDLE C/L [IN.]
14,629	136.4	113:1	107.2	271,169	835	5.50	19.00	16.00	FA48

REV. A
C921106A 12/03/07

DIAMOND GEAR CO. LTD.
HOUSTON, TEXAS USA
PHONE: 713-590-0270, FAX: 713-590-0278