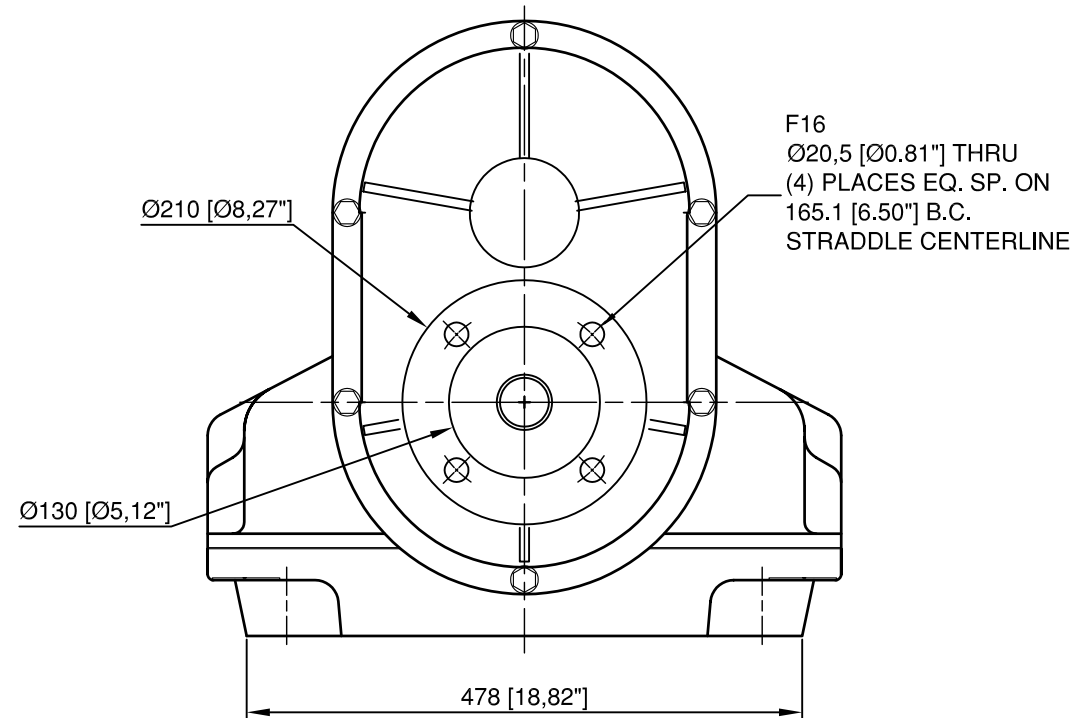
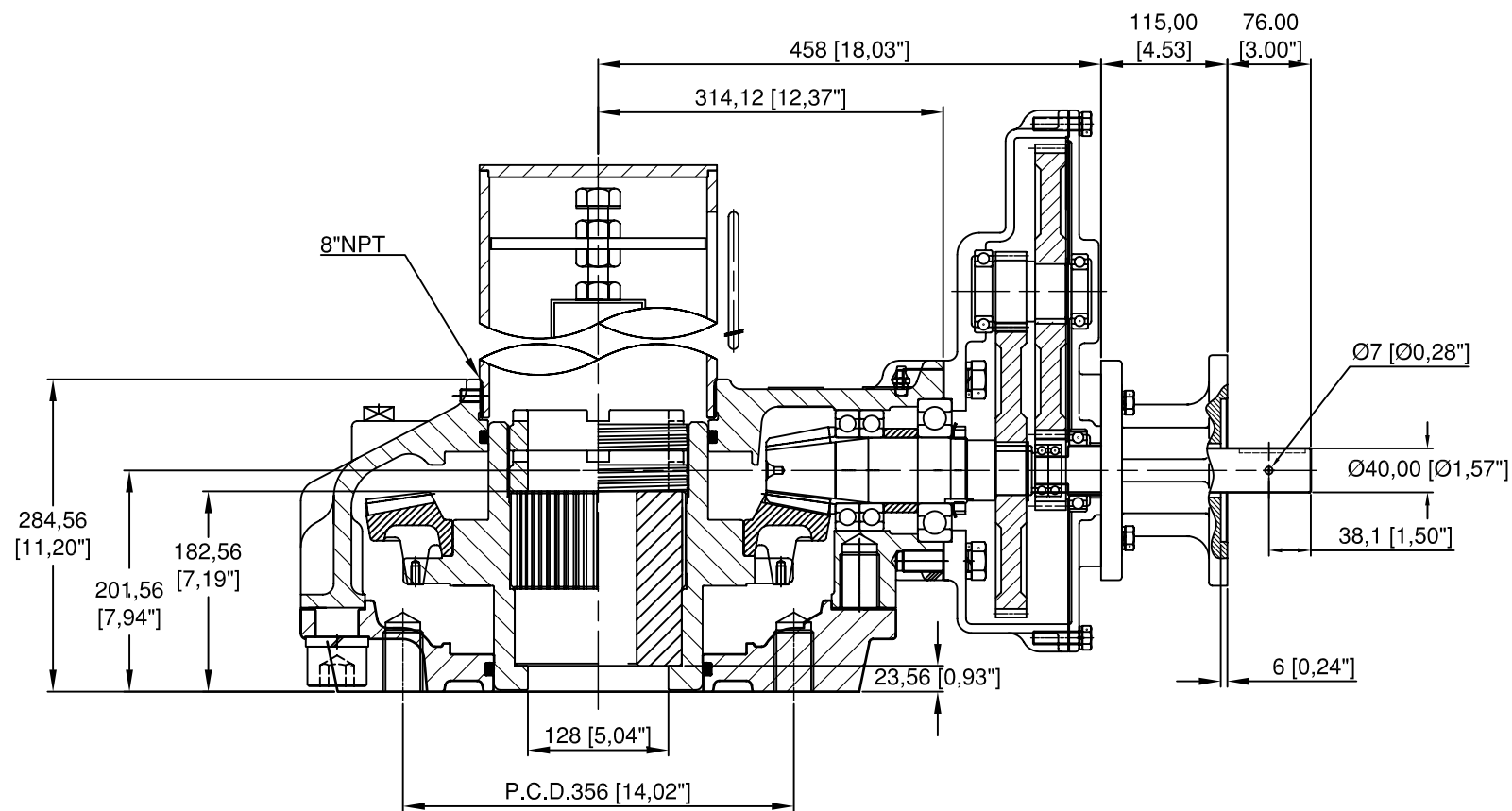
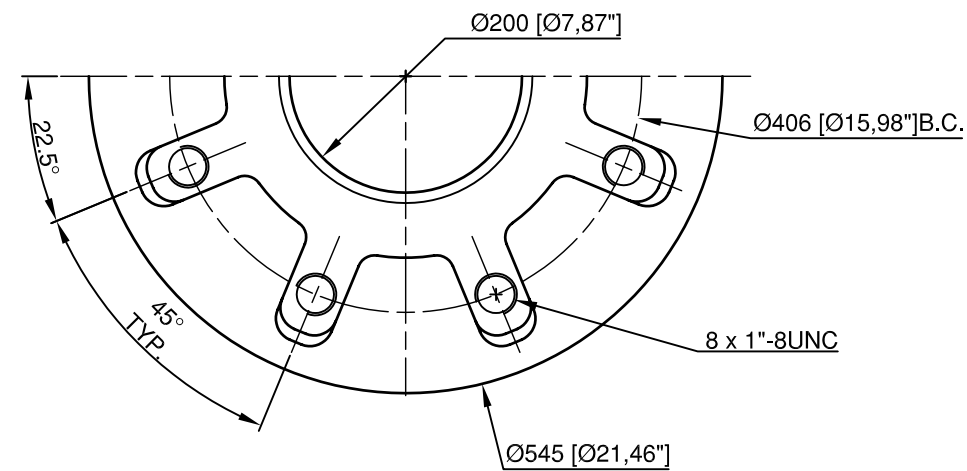
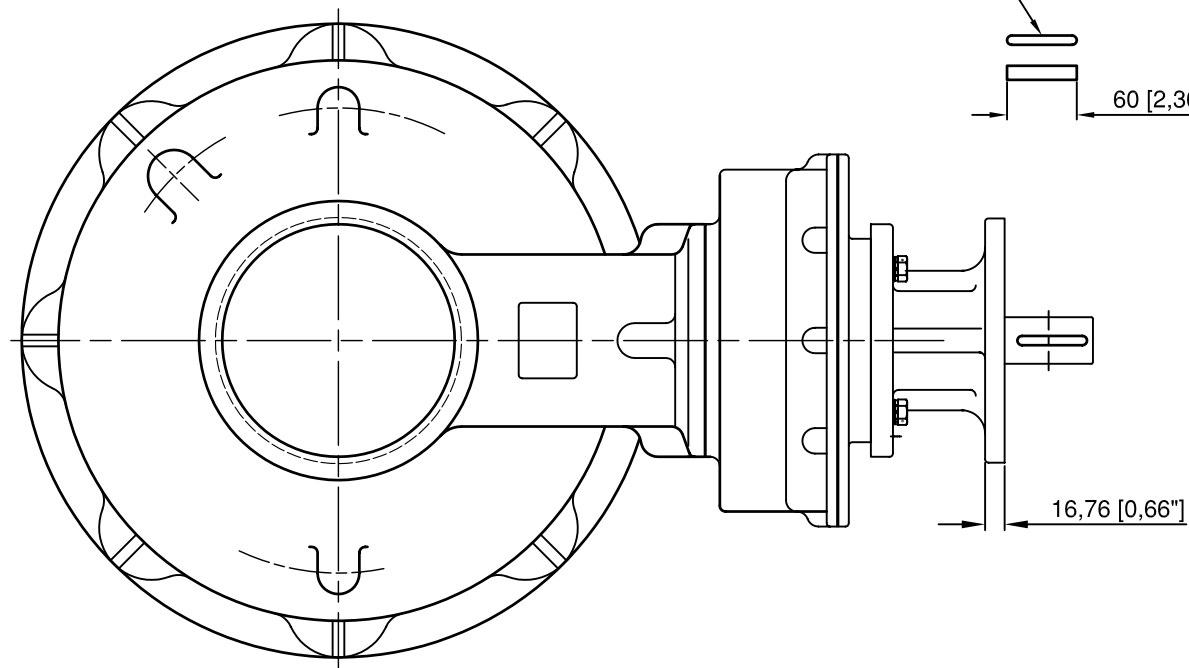


DIAMOND GEAR CO., LTD.

10BG104.6



F16
Ø20,5 [Ø0,81"] THRU
(4) PLACES EQ. SP. ON
165.1 [6.50"] B.C.
STRADDLE CENTERLINE

REV.A

C921105A

12/03/07

MAX. OUTPUT TORQUE [FT.LB]	MAX. INPUT TORQUE [FT.LB]	RATIO	MECHANICAL ADVANTAGE	THRUST [LBS.]	WEIGHT [LBS.]	MAX. STEM DIA. FOR THRUST APPLICATIONL [IN.]	MAX. MOUNTING STRADDLE C/L [IN.]	MIN. MOUNTING STRADDLE C/L [IN.]	PREFERRED MOUNTING STRADDLE C/L [IN.]
10,556	106	104.6:1	99.37	249,122	660	4.90	16.00	10.00	FA35 or FA40



DIAMOND GEAR CO. LTD.
HOUSTON, TEXAS USA



PHONE: 713-590-0270, FAX: 713-590-0278