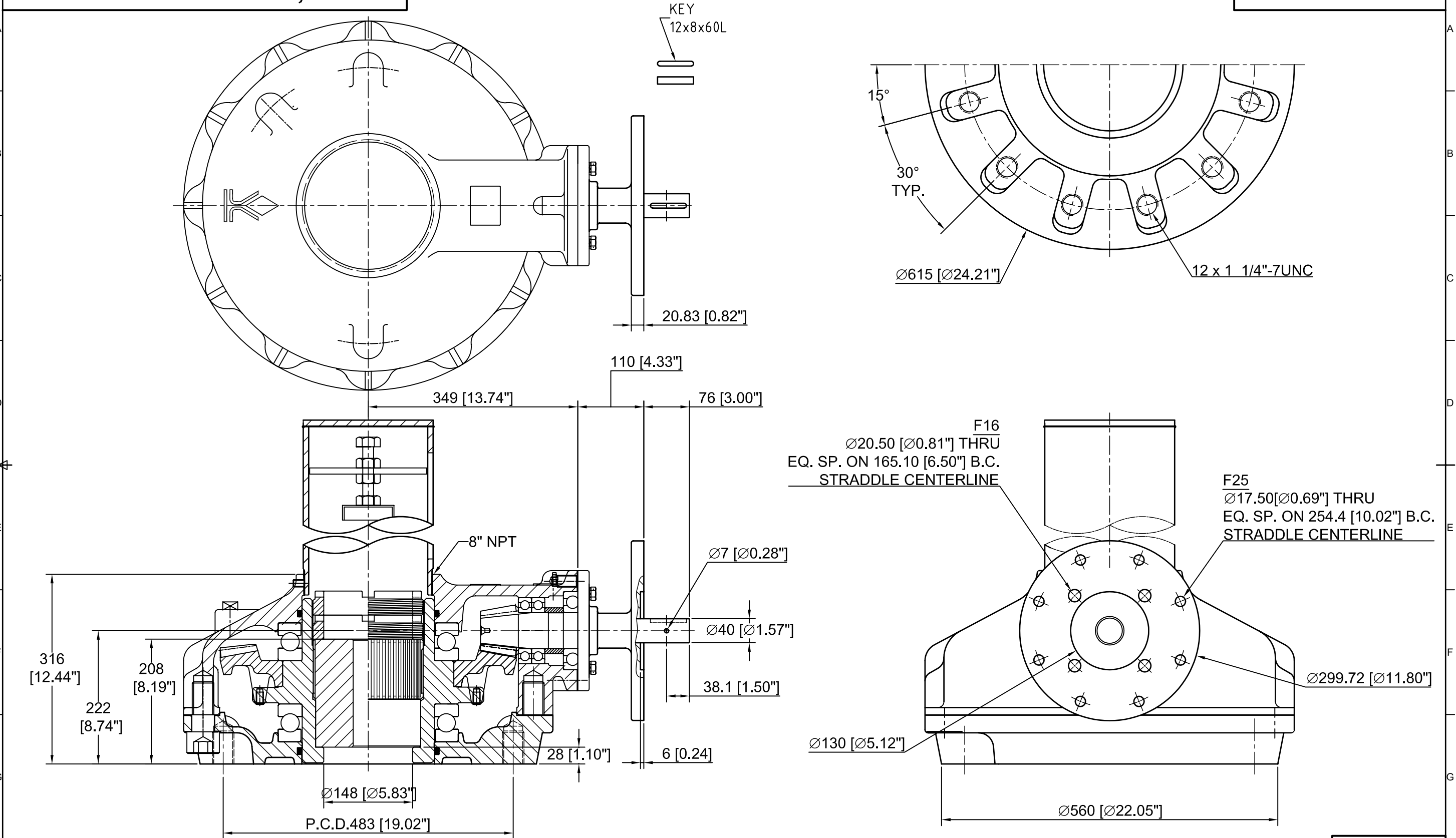


DIAMOND GEAR CO., LTD.

14BG7.55



REV. A

C921104A 12/03/07

MAX. OUTPUT TORQUE [FT.LB]	MAX. INPUT TORQUE [FT.LB]	RATIO	MECHANICAL ADVANTAGE	THRUST [LBS.]	WEIGHT [LBS.]	MAX. STEM DIA. FOR THRUST APPLICATIONL [IN.]	MAX. MOUNTING STRADDLE C/L [IN.]	MIN. MOUNTING STRADDLE C/L [IN.]	PREFERRED MOUNTING STRADDLE C/L [IN.]
14,629	2,037	7.55:1	7.18	271,169	701	5.50	19.00	16.00	FA48

DIAMOND GEAR CO. LTD.  
HOUSTON, TEXAS USA  
PHONE: 713-590-0270, FAX: 713-590-0278