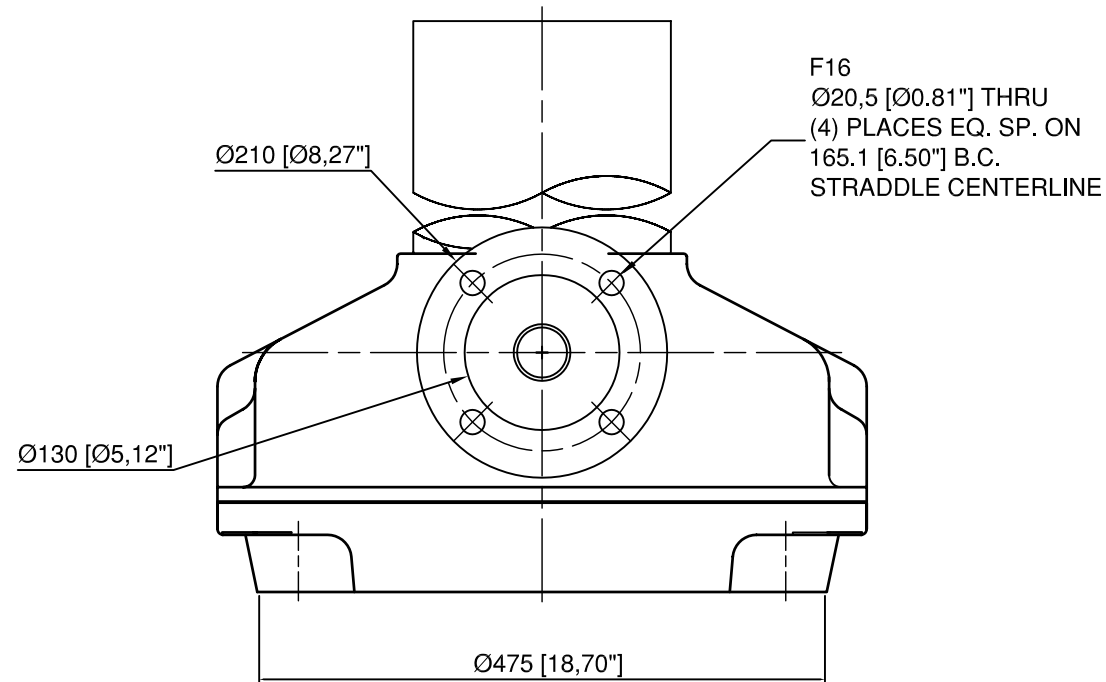
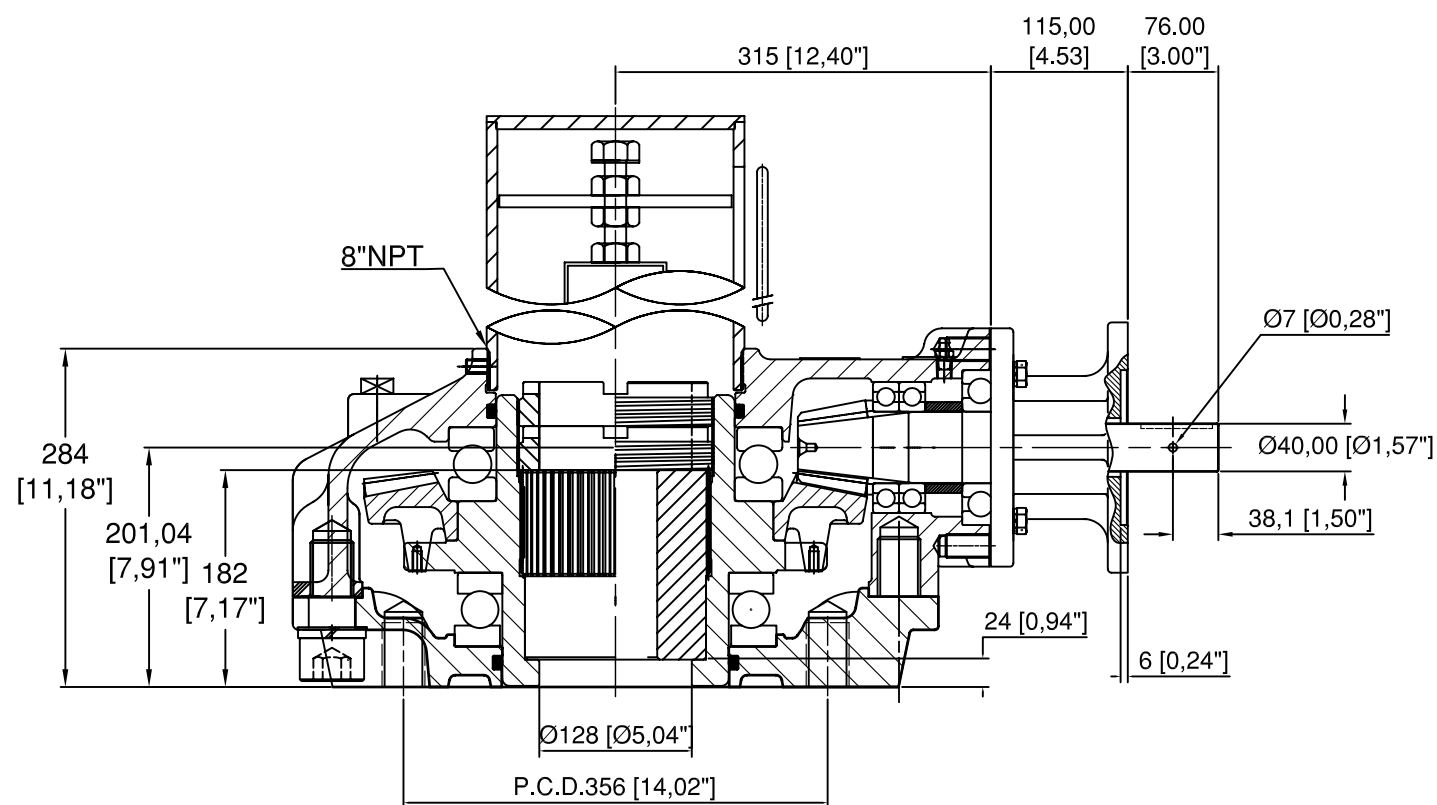
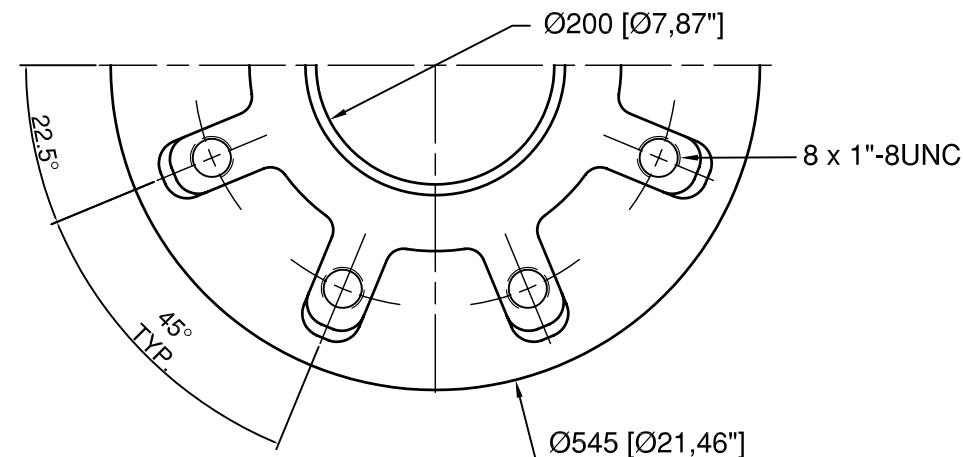
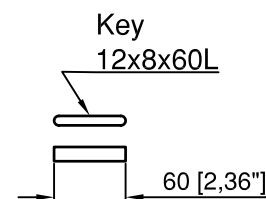
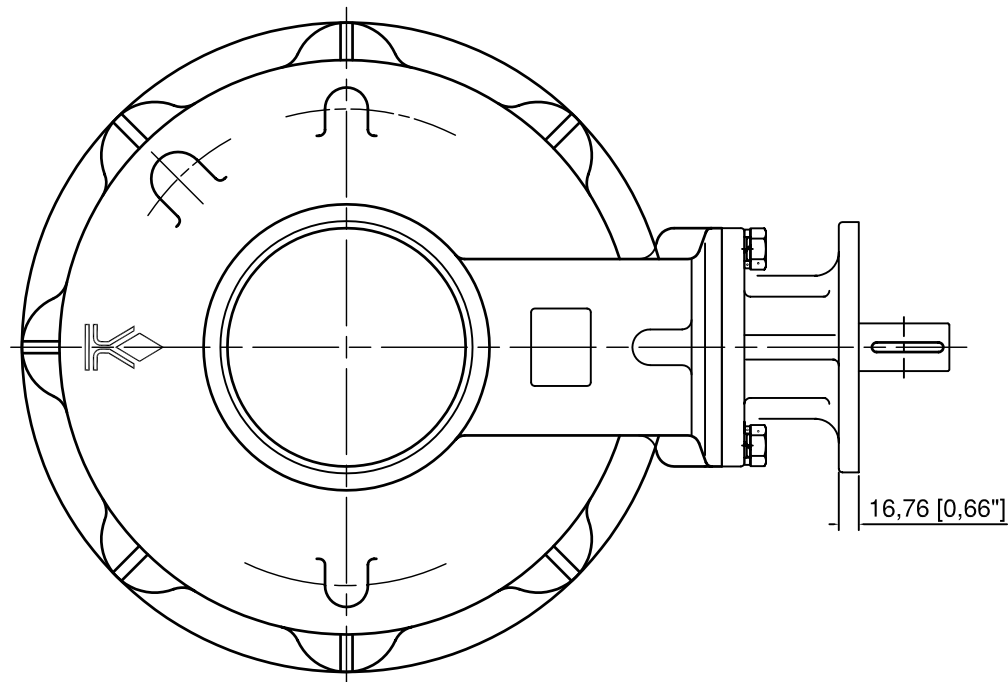


**DIAMOND GEAR CO., LTD.**

**10BG7**



**REV. A**

**C921103A**

**12/03/07**

MAX. OUTPUT TORQUE [FT.LB]	MAX. INPUT TORQUE [FT.LB]	RATIO	MECHANICAL ADVANTAGE	THRUST [LBS.]	WEIGHT [LBS.]	MAX. STEM DIA. FOR THRUST APPLICATIONL [IN.]	MAX. MOUNTING STRADDLE C/L [IN.]	MIN. MOUNTING STRADDLE C/L [IN.]	PREFERRED MOUNTING STRADDLE C/L [IN.]
10,556	1587	7:1	6.65	249,122	540	4.90	16.00	10.00	FA35 or FA40

**DIAMOND GEAR CO. LTD.**  
HOUSTON, TEXAS USA  
PHONE: 713-590-0270, FAX: 713-590-0278