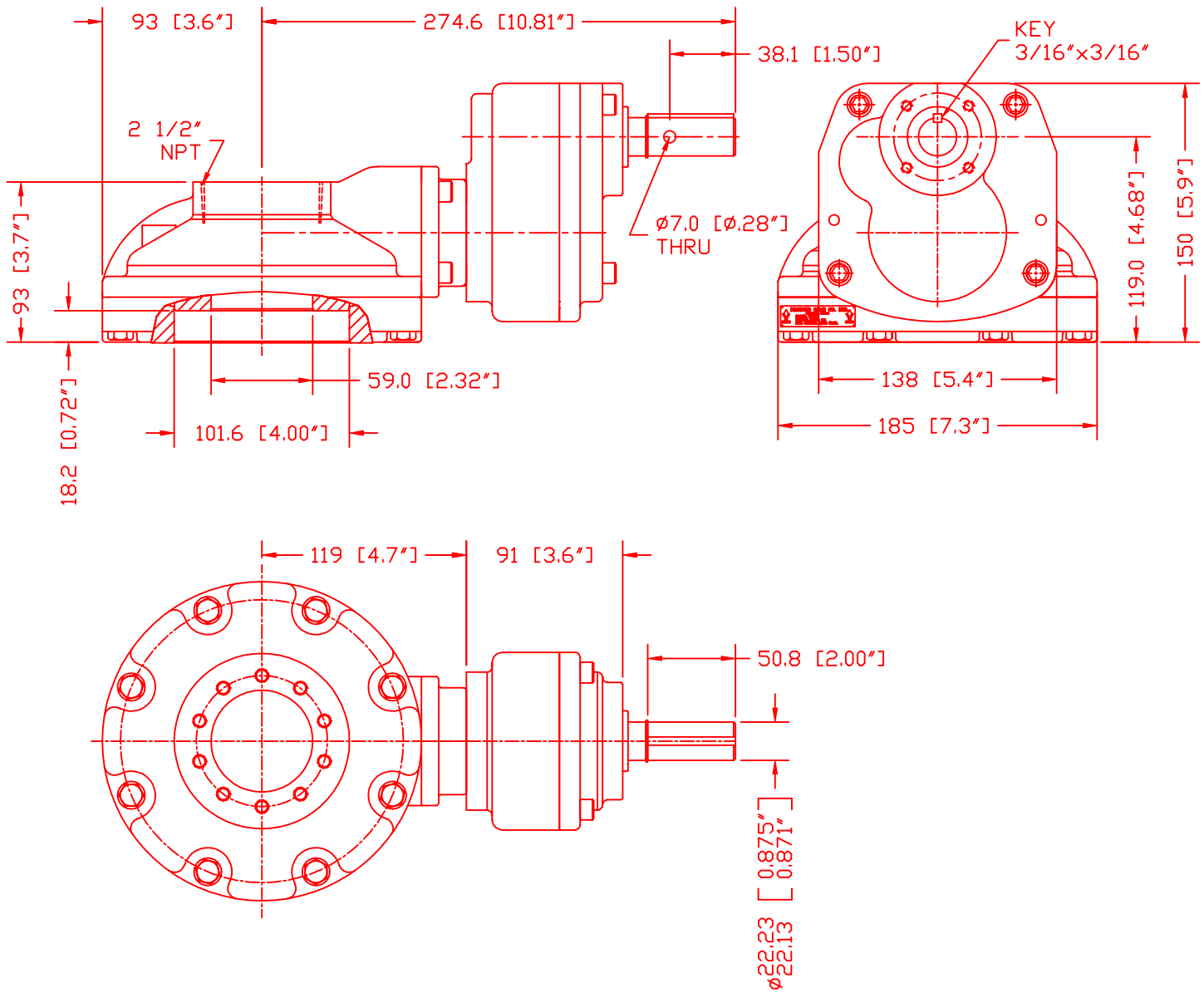


DIAMOND GEAR CO., LTD.

7.2BG6



MAX. OUTPUT TORQUE [F.T.LB]	MAX. INPUT TORQUE [F.T.LB]	RATIO	MECHANICAL ADVANTAGE	THRUST [LB]	WEIGHT [LB]	DRIVE PATTERN [IN]	INPUT SHAFT PATTERN [IN]
600	124	6:1	4.84	30,000	32	10x5/16-18UNC ON Ø2.99" B.C	F05

MAX. STEM DIAMETER FOR TORQUE APPLICATION [IN]	MAX. STEM DIAMETER FOR THRUST APPLICATION [IN]	MAX. MOUNTING STRADDLE C/L ON CENTERLINE [IN]	MIN. MOUNTING STRADDLE C/L ON CENTERLINE [IN]	PREFERRED MOUNTING STRADDLE C/L [IN]
Ø2.31	Ø1.70	Ø6.50	Ø4.93	FA12 (OPTIONAL) FA14 (STANDARD)



DIAMOND GEAR CO. LTD.
HOUSTON, TEXAS, USA

PHONE: 713-590-0270, FAX: 713-590-0278



C400002A

(D2000)

REV.B

01-17-01