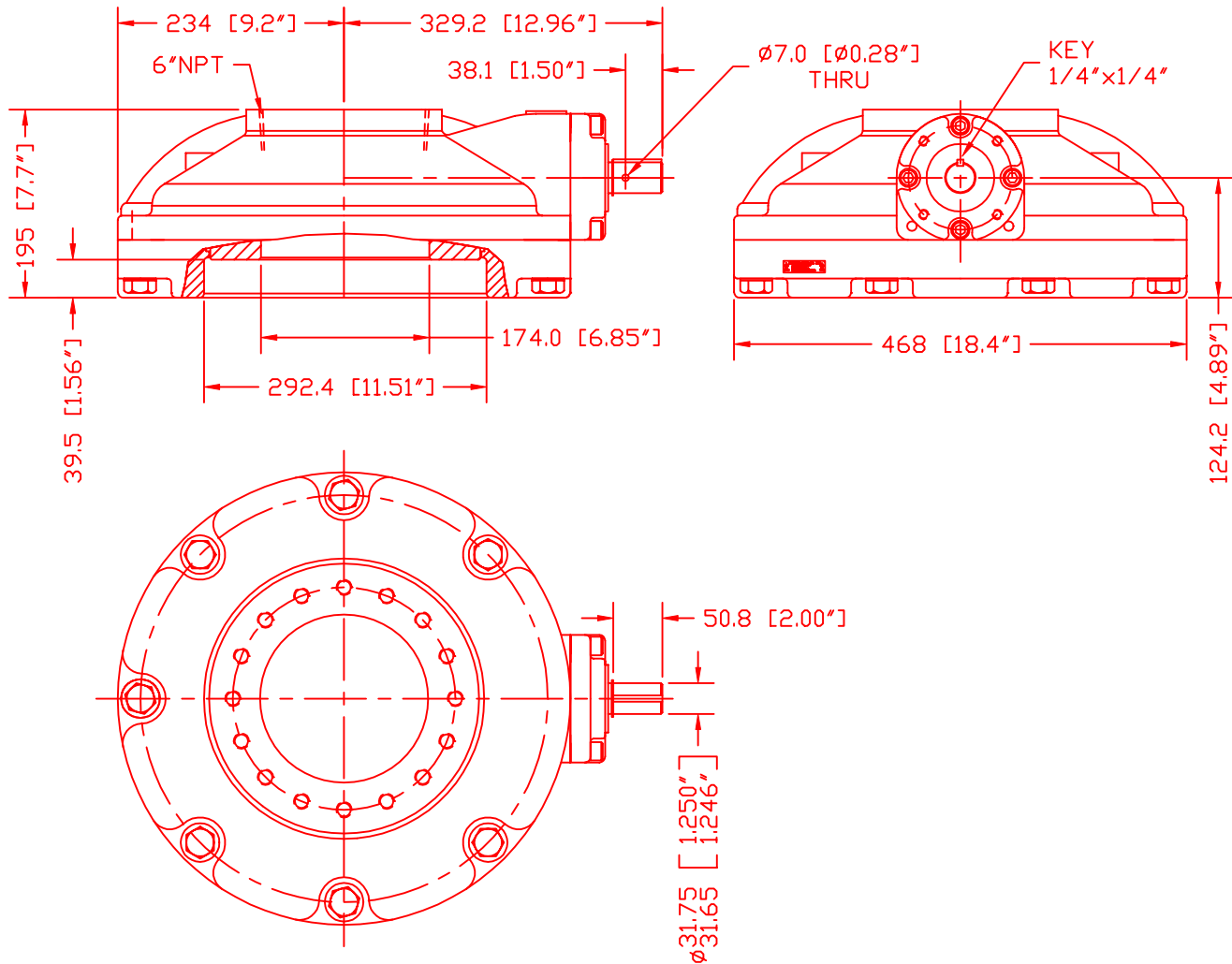


# DIAMOND GEAR CO., LTD.

# 60BG6



MAX. OUTPUT TORQUE [FT.LB]	MAX. INPUT TORQUE [FT.LB]	RATIO	MECHANICAL ADVANTAGE	THRUST [LB]	WEIGHT [LB]	DRIVE PATTERN [IN]	INPUT SHAFT PATTERN [IN]
8,000	1,481	6:1	5.4	250,000	240	16x5/8-11UNC ON Ø8.420" B.C	F11

MAX. STEM DIAMETER FOR TORQUE APPLICATION [IN]	MAX. STEM DIAMETER FOR THRUST APPLICATION [IN]	MAX. MOUNTING STRADDLE C/L ON CENTERLINE [IN]	MIN. MOUNTING STRADDLE C/L ON CENTERLINE [IN]	PREFERRED MOUNTING STRADDLE C/L [IN]
Ø6.00	Ø5.00	Ø16.0	Ø13.0	FA35 (OPTIONAL) FA40 (STANDARD)



**DIAMOND GEAR CO. LTD.**  
HOUSTON, TEXAS, USA

PHONE: 713-590-0270, FAX: 713-590-0278



C400017A

REV.D

01-15-01