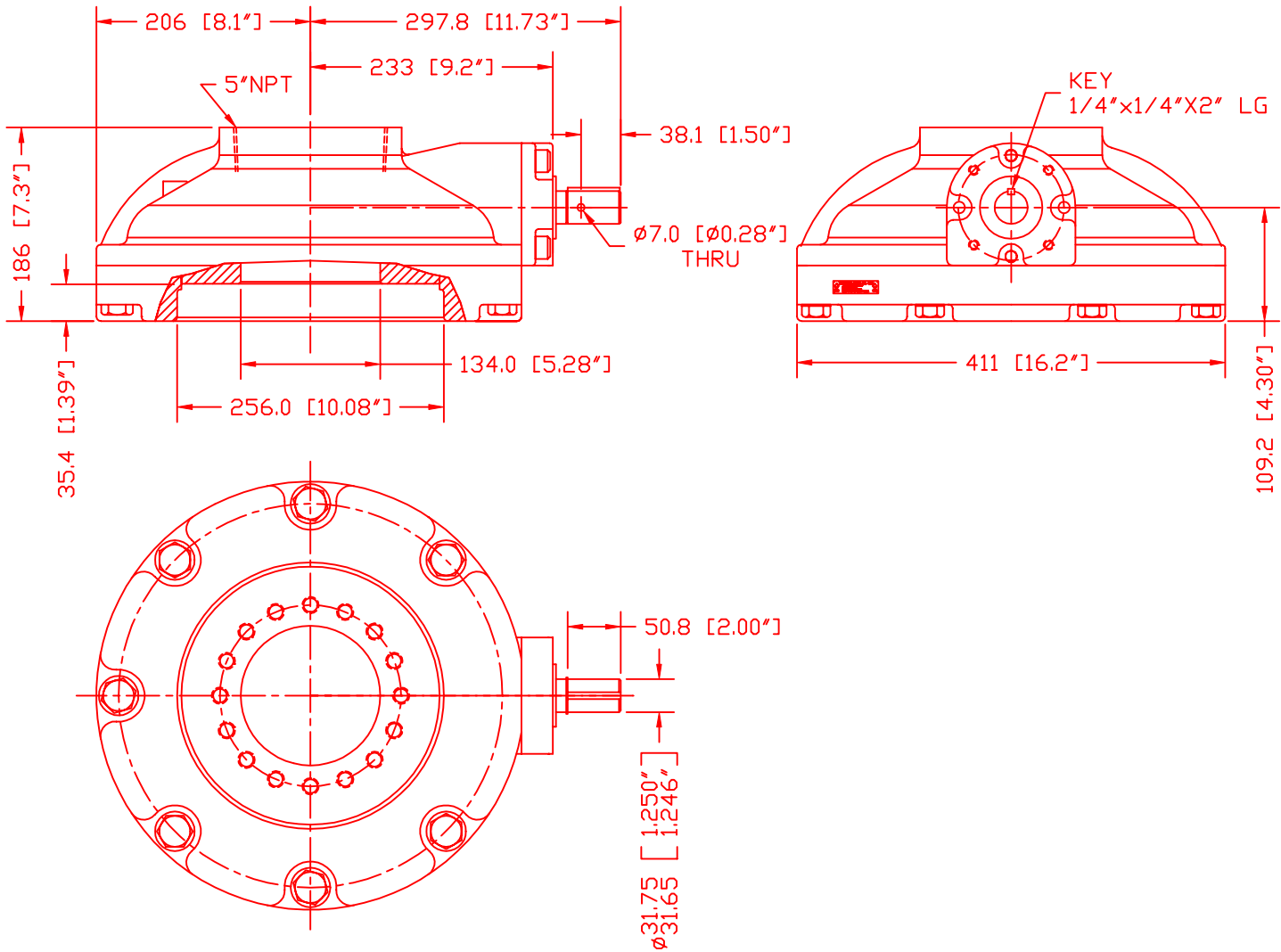


# DIAMOND GEAR CO., LTD.

# 48BG6.5



MAX. OUTPUT TORQUE [F.T.LB]	MAX. INPUT TORQUE [F.T.LB]	RATIO	MECHANICAL ADVANTAGE	THRUST [LB]	WEIGHT [LB]	DRIVE PATTERN [IN]	INPUT SHAFT PATTERN [IN]
6,000	1025	6.5:1	5.85	165,000	180	16x5/8-11UNC ON $\phi 6.850$ " B.C	F10

MAX. STEM DIAMETER FOR TORQUE APPLICATION [IN]	MAX. STEM DIAMETER FOR THRUST APPLICATION [IN]	MAX. MOUNTING STRADDLE C/L ON CENTERLINE [IN]	MIN. MOUNTING STRADDLE C/L ON CENTERLINE [IN]	PREFERRED MOUNTING STRADDLE C/L [IN]
$\phi 5.00$	$\phi 4.50$	$\phi 14.50$	$\phi 11.50$	FA30 (STANDARD) FA35 (OPTIONAL)

 <p><b>DIAMOND GEAR CO. LTD.</b> HOUSTON, TEXAS, USA PHONE: 713-590-0270, FAX: 713-590-0278</p>		C400009A	REV.D
			01-15-01