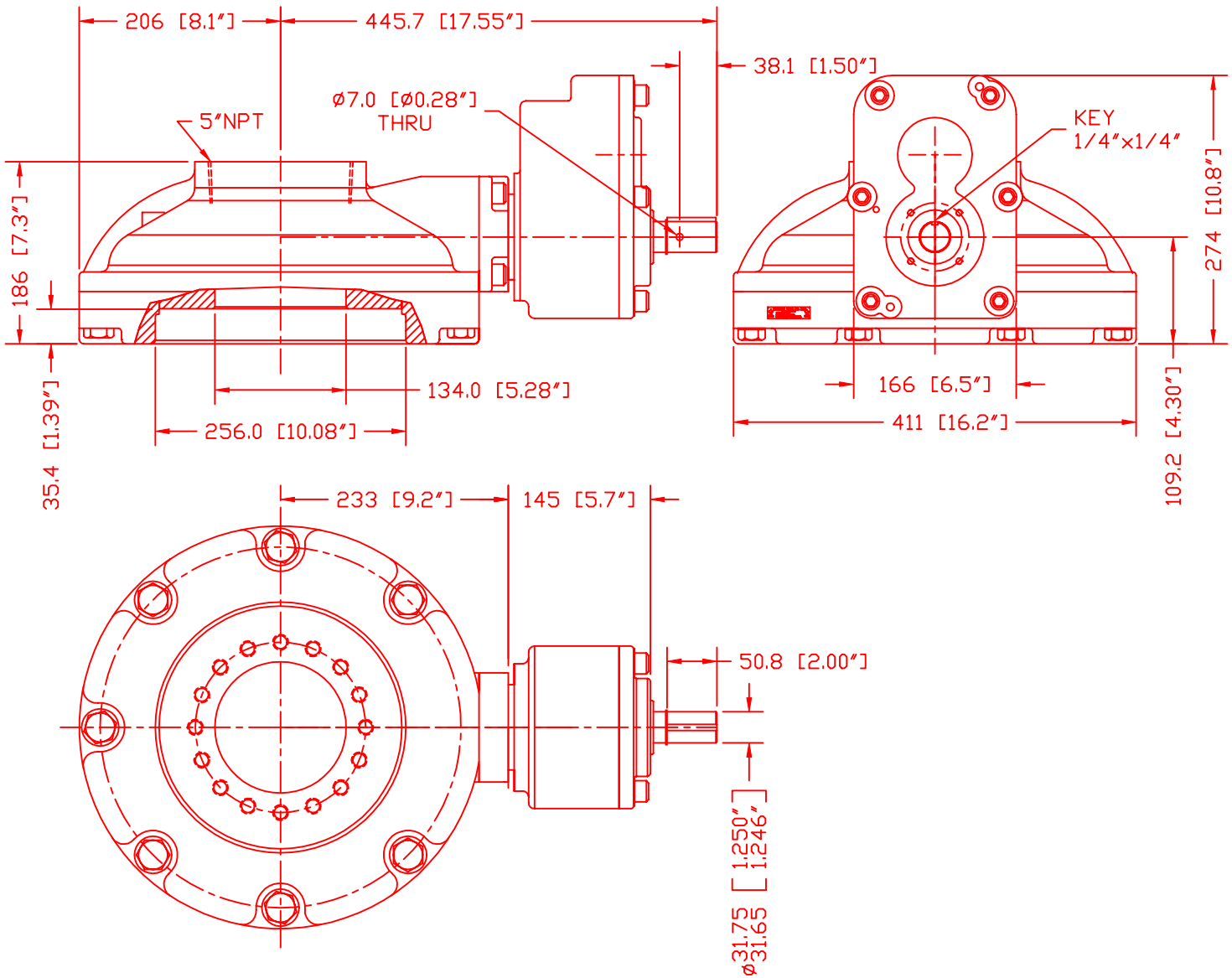


DIAMOND GEAR CO., LTD.

48BG39



MAX. OUTPUT TORQUE [F.T.LB]	MAX. INPUT TORQUE [F.T.LB]	RATIO	MECHANICAL ADVANTAGE	THRUST [LB]	WEIGHT [LB]	DRIVE PATTERN [IN]	INPUT SHAFT PATTERN [IN]
6,000	190	39:1	31.59	165,000	225	16x5/8-11UNC ON $\phi 6.850$ " B.C	F07

MAX. STEM DIAMETER FOR TORQUE APPLICATION [IN]	MAX. STEM DIAMETER FOR THRUST APPLICATION [IN]	MAX. MOUNTING STRADDLE C/L ON CENTERLINE [IN]	MIN. MOUNTING STRADDLE C/L ON CENTERLINE [IN]	PREFERRED MOUNTING STRADDLE C/L [IN]
$\phi 5.00$	$\phi 4.50$	$\phi 14.50$	$\phi 11.50$	FA30 (STANDARD) FA35 (OPTIONAL)



DIAMOND GEAR CO. LTD.
HOUSTON, TEXAS, USA

PHONE: 713-590-0270, FAX: 713-590-0278



C400010A

REV.D

01-17-01