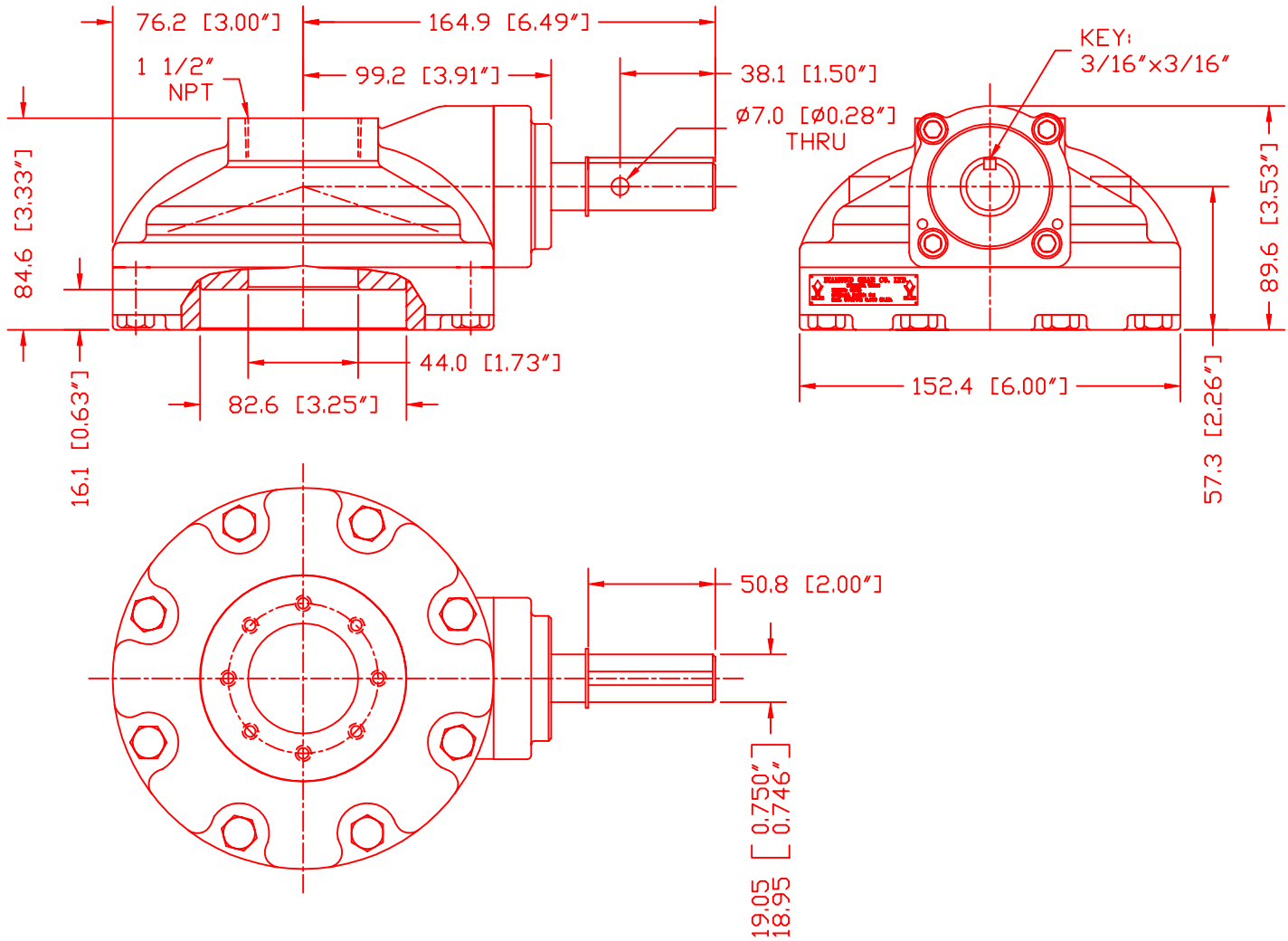


DIAMOND GEAR CO., LTD.

3BG3



MAX. OUTPUT TORQUE [FT.LB]	MAX. INPUT TORQUE [FT.LB]	RATIO	MECHANICAL ADVANTAGE	THRUST [LB]	WEIGHT [LB]	DRIVE PATTERN [IN]	INPUT SHAFT PATTERN [IN]
250	93	3:1	2.7	15,000	14	8x1/4-20UNC ON Ø2.36" B.C	N/A

MAX. STEM DIAMETER FOR TORQUE APPLICATION [IN]	MAX. STEM DIAMETER FOR THRUST APPLICATION [IN]	MAX. MOUNTING STRADDLE C/L ON CENTERLINE [IN]	MIN. MOUNTING STRADDLE C/L ON CENTERLINE [IN]	PREFERRED MOUNTING STRADDLE C/L [IN]
Ø1.63	Ø1.25	Ø5.25	Ø4.00	FA10 (OPTIONAL) FA12 (STANDARD)



DIAMOND GEAR CO. LTD.
HOUSTON, TEXAS, USA

PHONE: 713-590-0270, FAX: 713-590-0278



C400013A

REV.B

01-18-01