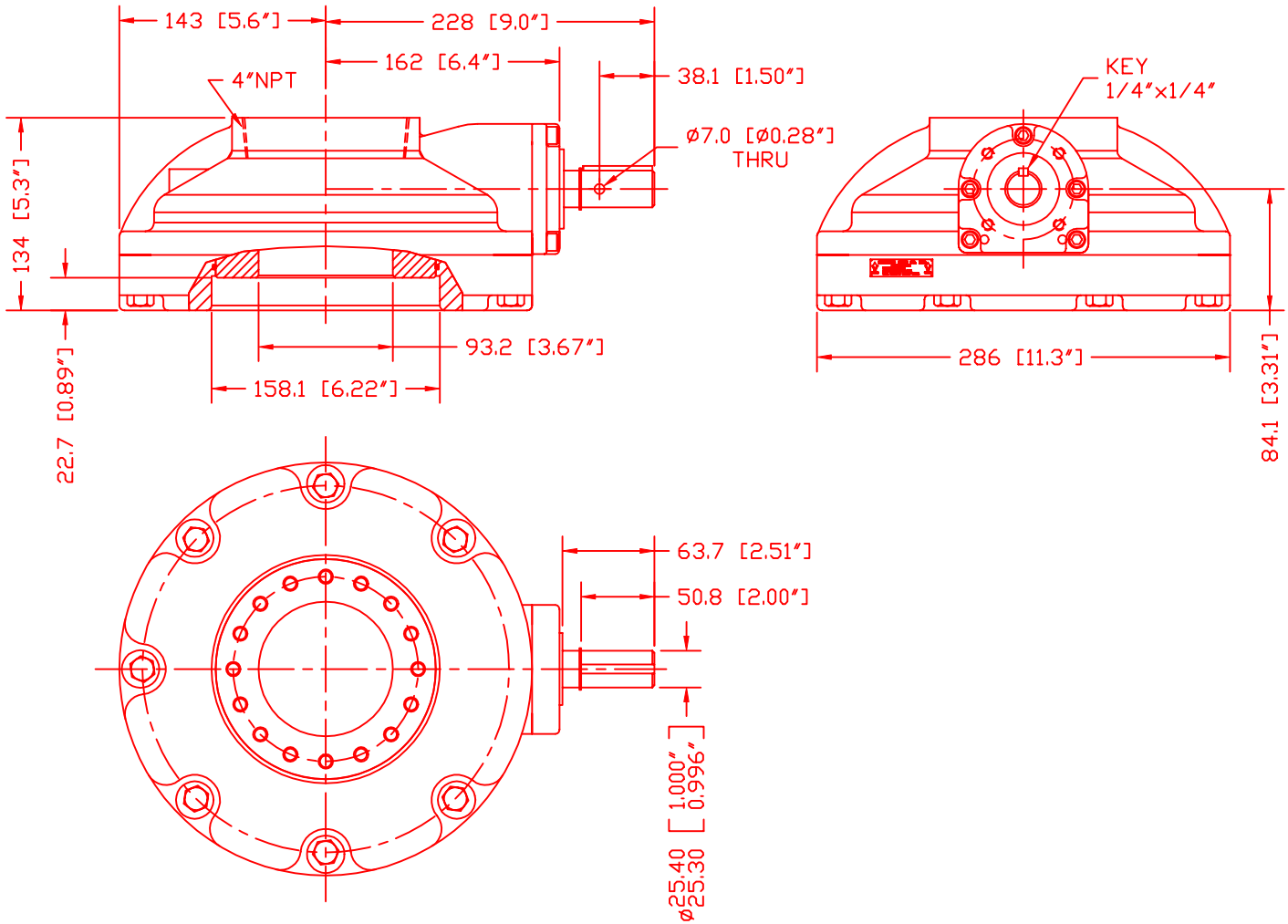


# DIAMOND GEAR CO., LTD.

# 24BG4.33



MAX. OUTPUT TORQUE [FT.LB]	MAX. INPUT TORQUE [FT.LB]	RATIO	MECHANICAL ADVANTAGE	THRUST [LB]	WEIGHT [LB]	DRIVE PATTERN [IN]	INPUT SHAFT PATTERN [IN]
2,250	577	4.33:1	3.90	80,000	65	16x3/8-16UNC DN $\phi 4.645$ B.C	F07

MAX. STEM DIAMETER FOR TORQUE APPLICATION [IN]	MAX. STEM DIAMETER FOR THRUST APPLICATION [IN]	MAX. MOUNTING STRADDLE C/L ON CENTERLINE [IN]	MIN. MOUNTING STRADDLE C/L ON CENTERLINE [IN]	PREFERRED MOUNTING STRADDLE C/L [IN]	PREFERRED MOUNTING ON CENTERLINE [IN]
$\phi 3.63$	$\phi 2.90$	$\phi 10.0$	$\phi 7.5$	FA19 (OPTIONAL) FA25 (STANDARD)	8x1/2-13UNC DN $\phi 7.63$ B.C (STANDARD)



**DIAMOND GEAR CO. LTD.**  
HOUSTON, TEXAS, USA

PHONE: 713-590-0270, FAX: 713-590-0278



C400005A

REV.D

01-16-01